





Hose fittings ZC-FR5-02 (DN2, 1/12") and ZC-FR5-04 (DN4, 5/32")

Hose fittings 1/12"



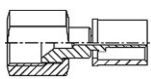
tips and sleeves made of brass

Hose fittings 5/32"



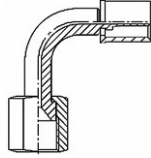
Terminals in galvanised steel, sleeves in aluminium

GW UNF, type SAE, 45° taper



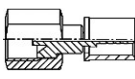
index	thread size [inch]	hose size [inch]
ZC-FR101-04-015	7/16-20 UNF (1/4 SAE)	1/12
ZC-FR101-04-025	7/16-20 UNF (1/4 SAE)	5/32
ZC-FR101-06-025	5/8-18 UNF (3/8 SAE)	5/32

GW UNF, type SAE, 45° taper



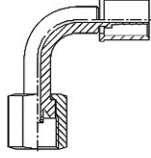
index	thread size [inch]	hose size [inch]
ZC-FR102-04-015	7/16-20 UNF (1/4 SAE)	1/12
ZC-FR102-04-025	7/16-20 UNF (1/4 SAE)	5/32
ZC-FR102-06-025	5/8-18 UNF (3/8 SAE)	5/32

GW UNF, type SAE, 45° taper, with gland



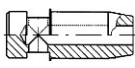
index	thread size [inch]	hose size [inch]
ZC-FR103-04-015	7/16-20 UNF (1/4 SAE)	1/12

GW UNF, type SAE, 45° taper, with gland



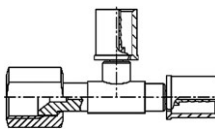
index	thread size [inch]	hose size [inch]
ZC-FR104-04-015	7/16-20 UNF (1/4 SAE)	1/12

Gland for end pieces type FR103 and FR104 (brass)



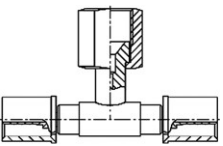
index	thread size [inch]	hose size [inch]
ZC-FR103-D	-	-

Adaptor - T-piece "L", GW UNF, SAE type, 45° cone



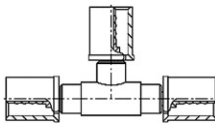
index	thread size [inch]	hose size [inch]
ZC-FR105-015	7/16-20 UNF (1/4 SAE)	1/12

Adaptor - T-piece "T", GW UNF, SAE type, 45° cone



index	thread size [inch]	hose size [inch]
ZC-FR106-015	7/16-20 UNF (1/4 SAE)	1/12

Adaptor - T-piece



index	thread size [inch]	hose size [inch]
ZC-FR107-015	7/16-20 UNF (1/4 SAE)	1/12

