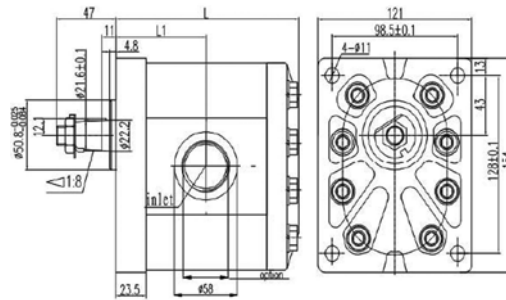


# HIGH PRESSURE - pumps

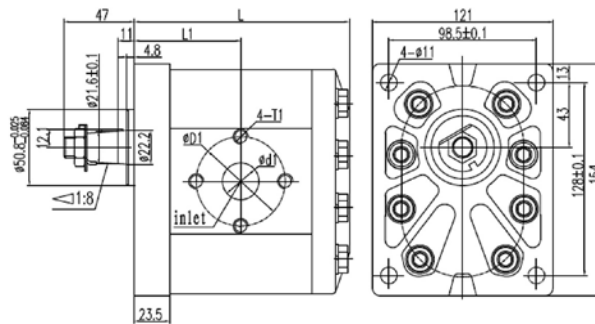
## Gear pumps TRALE

Group 3 - conical 1:8, European cover (Ø 50.8 mm), threaded connections



code		CC [cm <sup>3</sup> /rev.]	inlet [BSP]	outlet [BSP]	P1 [bar]	P3 [bar]	V [r.p.m.]	L1 [mm]	L [mm]
rotation right	rotation left								
TL-BTD3220D01	TL-BTD3220I01	22	3/4"	3/4"	200	250	3000	65.5	128.5
TL-BTD3260D01	TL-BTD3260I01	26	1"	3/4"	200	250	3000	67	131.5
TL-BTD3280D01	TL-BTD3280I01	28	1"	3/4"	200	250	3000	68.5	134
TL-BTD3320D01	TL-BTD3320I01	32	1"	3/4"	200	250	3000	69.8	137
TL-BTD3360D01	TL-BTD3360I01	36	1"	3/4"	200	250	3000	71.8	141
TL-BTD3420D01	TL-BTD3420I01	42	1"	3/4"	200	250	2800	73	143.5
TL-BTD3460D01	TL-BTD3460I01	46	1"	3/4"	200	250	2400	74	146.5
TL-BTD3500D01	TL-BTD3500I01	50	1"	3/4"	200	250	2400	76	149.5
TL-BTD3550D01	TL-BTD3550I01	55	1"	3/4"	200	250	2400	78	152

Group 3 - conical 1:8, European cover (Ø 50.8 mm), flanged connections



code		CC [cm <sup>3</sup> /rev.]	inlet [mm]	outlet [mm]	P1 [bar]	P3 [bar]	V [r.p.m.]	L1 [mm]	L [mm]
rotation right	rotation left								
TL-BTD3220D02	TL-BTD3220I02	22	40	40	200	250	3000	65.5	128.5
TL-BTD3260D02	TL-BTD3260I02	26	40	40	200	250	3000	67	131.5
TL-BTD3280D02	TL-BTD3280I02	28	40	40	200	250	3000	68.5	134
TL-BTD3340D02	TL-BTD3340I02	34	50	40	200	250	3000	69.8	137
TL-BTD3390D02	TL-BTD3390I02	39	50	40	200	250	3000	71.8	141
TL-BTD3430D02	TL-BTD3430I02	43	50	40	200	250	2800	73	143.5
TL-BTD3460D02	TL-BTD3460I02	46	50	40	200	250	2400	74	146.5
TL-BTD3510D02	TL-BTD3510I02	51	50	40	200	250	2400	76	149.5
TL-BTD3550D02	TL-BTD3550I02	55	50	40	200	250	2400	78	152