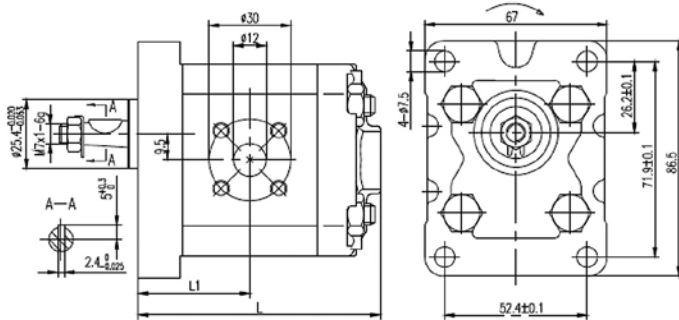


HIGH PRESSURE - pumps

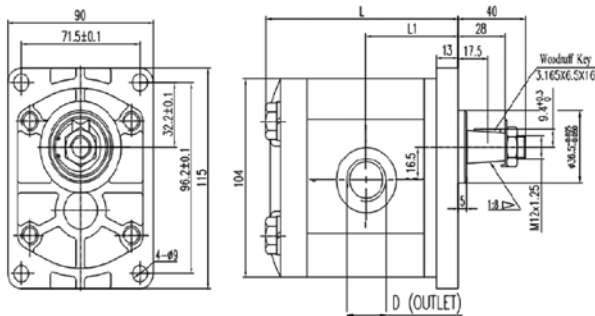
Gear pumps TRALE

Group 1 - conical 1:8, European cover (Ø 25.4 mm), flanged connection



code		CC [cm ³ /rev.]	inlet [mm]	outlet [mm]	P1 [bar]	P3 [bar]	V [r.p.m.]	L1 [mm]	L [mm]
rotation right	rotation left								
TL-BTD107D03	TL-BTD107I03	0.7	30	30	250	300	6000	32	74
TL-BTD111D03	TL-BTD111I03	1.1	30	30	250	300	6000	33	75
TL-BTD116D03	TL-BTD116I03	1.6	30	30	250	300	6000	35	78
TL-BTD118D03	TL-BTD118I03	1.8	30	30	250	300	6000	35.5	78.5
TL-BTD127D03	TL-BTD127I03	2.7	30	30	250	300	6000	37	81
TL-BTD132D03	TL-BTD132I03	3.2	30	30	250	300	6000	38	83
TL-BTD137D03	TL-BTD137I03	3.7	30	30	250	300	5000	39	85
TL-BTD148D03	TL-BTD148I03	4.8	30	30	200	250	4000	41	89
TL-BTD158D03	TL-BTD158I03	5.8	30	30	200	250	3500	43	93
TL-BTD163D03	TL-BTD163I03	6.3	30	30	200	250	2900	44	97
TL-BTD180D03	TL-BTD180I03	8.0	30	30	200	250	2100	47	101

Group 2 - conical 1:8, European cover (Ø 36.5 mm), threaded connections



code		CC [cm ³ /rev.]	inlet [BSP]	outlet [BSP]	P1 [bar]	P3 [bar]	V [r.p.m.]	L1 [mm]	L [mm]
rotation right	rotation left								
TL-BTD240D01	TL-BTD240I01	4	1/2"	1/2"	250	300	3500	43.3	95.5
TL-BTD260D01	TL-BTD260I01	6	1/2"	1/2"	250	300	3500	45	99
TL-BTD280D01	TL-BTD280I01	8	1/2"	1/2"	250	300	3500	46.5	102
TL-BTD2120D01	TL-BTD2120I01	12	1/2"	1/2"	250	300	3500	49.5	108
TL-BTD2140D01	TL-BTD2140I01	14	1/2"	1/2"	250	300	3500	51	111
TL-BTD2160D01	TL-BTD2160I01	16	3/4"	1/2"	250	300	3500	52.5	114
TL-BTD2200D01	TL-BTD2200I01	20	3/4"	1/2"	250	300	3500	56	121
TL-BTD2230D01	TL-BTD2230I01	23	3/4"	1/2"	200	250	3000	58.3	125.5
TL-BTD2250D01	TL-BTD2250I01	25	3/4"	1/2"	200	250	3000	59.5	128
TL-BTD2280D01	TL-BTD2280I01	28	3/4"	1/2"	160	200	3000	62	133
TL-BTD2300D01	TL-BTD2300I01	30	3/4"	1/2"	160	200	3000	63.5	136