

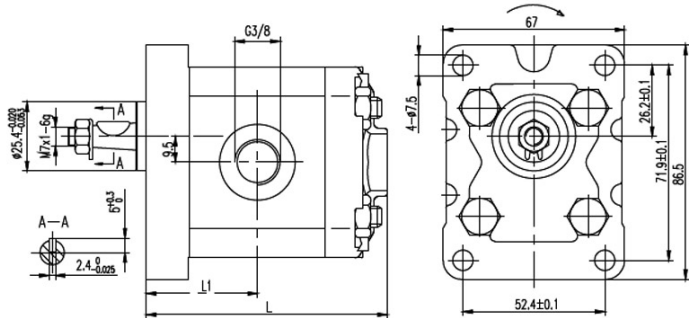
HIGH PRESSURE - pumps

Gear pumps TRALE

Positive displacement, external gear pumps intended for hydraulic systems of machines and devices.

| Material | |
|----------------------|---|
| Housing | Aluminium |
| Mounting plate | Aluminium (groups 1 and 2), cast iron (group 3) |
| Rear cover | Aluminium (groups 1 and 2), cast iron (group 3) |
| Sealing | NBR |
| Operation conditions | |
| Medium | Hydraulic oil of L-HM46 type or substitute |
| Fluid viscosity | From 10 cSt up to 600 cSt (recommended 30 ÷ 45) |
| Working temperature | From -20°C up to +90°C (medium), from -20°C up to +60°C (ambient) |
| Symbols | |
| CC | Displacement |
| P1 | Maximum working pressure (continuous operation) |
| P3 | Maximum peak pressure (intermittent operation) |
| V | Maximum rotary speed |

Group 1 - conical 1:8, European cover (Ø 25.4 mm), threaded connection



| code | | CC [cm ³ /rev.] | inlet [BSP] | outlet [BSP] | P1 [bar] | P3 [bar] | V [r.p.m.] | L1 [mm] | L [mm] |
|-------------------|------------------|-------------------------------|----------------|-----------------|-------------|-------------|---------------|------------|-----------|
| rotation right | rotation left | | | | | | | | |
| TL-BTD111D01 | TL-BTD111I01 | 1.1 | 3/8" | 3/8" | 250 | 300 | 6000 | 33 | 75 |
| TL-BTD116D01 | TL-BTD116I01 | 1.6 | 3/8" | 3/8" | 250 | 300 | 6000 | 35 | 78 |
| TL-BTD118D01 | TL-BTD118I01 | 1.8 | 3/8" | 3/8" | 250 | 300 | 6000 | 35.5 | 78.5 |
| TL-BTD127D01 | TL-BTD127I01 | 2.7 | 3/8" | 3/8" | 250 | 300 | 6000 | 37 | 81 |
| TL-BTD132D01 | TL-BTD132I01 | 3. | 3/8" | 3/8" | 250 | 300 | 5000 | 38 | 83 |
| TL-BTD137D01 | TL-BTD137I01 | 3.7 | 3/8" | 3/8" | 250 | 300 | 4500 | 39 | 85 |
| TL-BTD148D01 | TL-BTD148I01 | 4.8 | 3/8" | 3/8" | 200 | 250 | 4000 | 41 | 89 |
| TL-BTD158D01 | TL-BTD158I01 | 5.8 | 1/2" | 3/8" | 200 | 250 | 3500 | 43 | 93 |
| TL-BTD163D01 | TL-BTD163I01 | 6.3 | 1/2" | 3/8" | 200 | 250 | 2900 | 45 | 97 |
| TL-BTD180D01 | TL-BTD180I01 | 8.0 | 1/2" | 3/8" | 200 | 250 | 2100 | 47 | 101 |