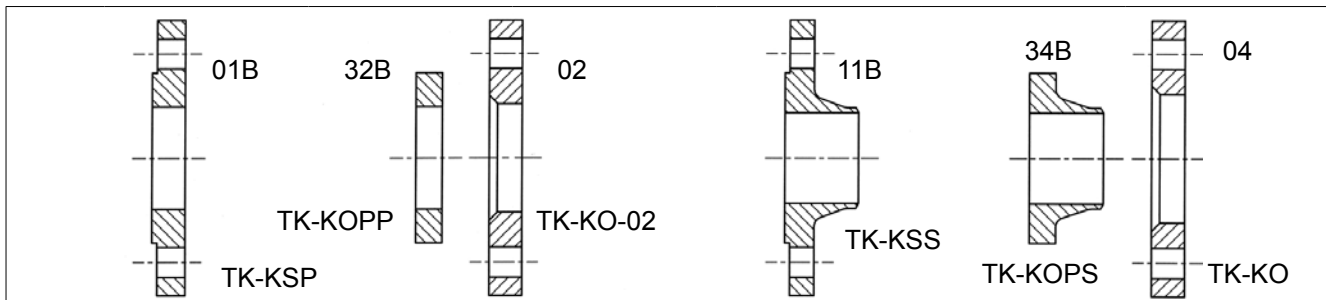


INDUSTRIAL FITTINGS - couplings

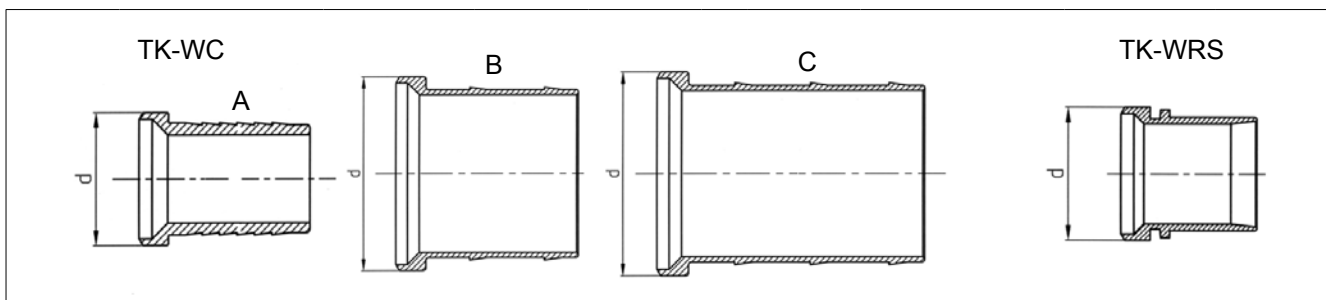
EN1092-1 PN16 flanges

Material: carbon steel, AISI 304 steel (add SS to the code), AISI 316 steel (add SS316 to the code).



DN	code					
	01B type	32B type	02 type	11B type	34B type	04 type
15	TK-KSP-015	TK-KOPP-015	TK-KO-02-015	TK-KSS-015	TK-KOPS-015	TK-KO-015
20	TK-KSP-020	TK-KOPP-020	TK-KO-02-020	TK-KSS-020	TK-KOPS-020	TK-KO-020
25	TK-KSP-025	TK-KOPP-025	TK-KO-02-025	TK-KSS-025	TK-KOPS-025	TK-KO-025
32	TK-KSP-032	TK-KOPP-032	TK-KO-02-032	TK-KSS-032	TK-KOPS-032	TK-KO-032
40	TK-KSP-040	TK-KOPP-040	TK-KO-02-040	TK-KSS-040	TK-KOPS-040	TK-KO-040
50	TK-KSP-050	TK-KOPP-050	TK-KO-02-050	TK-KSS-050	TK-KOPS-050	TK-KO-050
65	TK-KSP-065	TK-KOPP-065	TK-KO-02-065	TK-KSS-065	TK-KOPS-065	TK-KO-065
80	TK-KSP-080	TK-KOPP-080	TK-KO-02-080	TK-KSS-080	TK-KOPS-080	TK-KO-080
100	TK-KSP-100	TK-KOPP-100	TK-KO-02-100	TK-KSS-100	TK-KOPS-100	TK-KO-100
125	TK-KSP-125	TK-KOPP-125	TK-KO-02-125	TK-KSS-125	TK-KOPS-125	TK-KO-125
150	TK-KSP-150	TK-KOPP-150	TK-KO-02-150	TK-KSS-150	TK-KOPS-150	TK-KO-150

Weld-in pipe stubs for flanges



DN	code	hose I.D. [mm]	d [mm]	type	DN	code	hose I.D. [mm]	d [mm]
25	TK-WC-025	25	33.7	A	15	TK-WRS-015-013	13	21.3
32	TK-WC-032	32	42.4	A	20	TK-WRS-020-019	19	26.9
40	TK-WC-040	38-40	48.3	A	25	TK-WRS-025-025	25	33.7
50	TK-WC-050	50-51	60.3	A	32	TK-WRS-032-032	32	42.4
65	TK-WC-065	63-65	76.1	A	40	TK-WRS-040-038	38	48.3
80	TK-WC-080-076	75-76	88.9	A	40	TK-WRS-040-040	40	48.3
80	TK-WC-080-080	80	88.9	A	50	TK-WRS-050-050	50	60.3
100	TK-WC-100	100-102	114.3	B	50	TK-WRS-050-051	51	60.3
125	TK-WC-125	125-127	139.7	B	65	TK-WRS-065-063	63	76.1
150	TK-WC-150	150-152	168.3	B	65	TK-WRS-065-065	65	76.1
200	TK-WC-200	200-203	219.1	C	80	TK-WRS-080-076	76	88.9
250	TK-WC-250	250-254	273.0	C	80	TK-WRS-080-080	80	88.9
					100	TK-WRS-100-100	100	114.3
					100	TK-WRS-100-102	102	114.3
					125	TK-WRS-125-125	125	139.7
					125	TK-WRS-125-127	127	139.7
					150	TK-WRS-150-150	150	168.3
					150	TK-WRS-150-152	152	168.3
					200	TK-WRS-200-200	200	219.1
					200	TK-WRS-200-203	203	219.1

Material: carbon steel, AISI 304 steel (add SS to the code), AISI 316 steel (add SS316 to the code).

Working pressure 10 bar (type TK-WC), 25 bar (type TK-WRS).

- assemble with clamps (type TK-WC),
- assemble with RS safety clamps or crimp with TI-LR, TI-LDR ferrules (type TK-WRS).