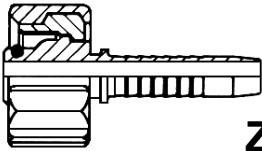
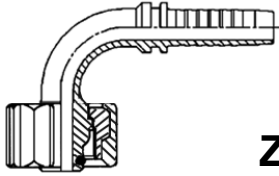


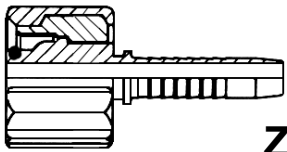
CLEANING AND WASHING - high pressure

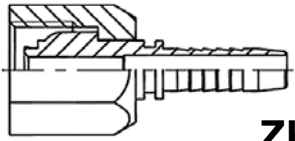
Fittings for high pressure cleaning hoses

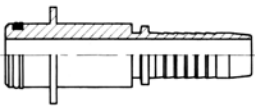
Fitting for cleaning equipment			
			
ZKW110			
code (carbon steel)	code (stainle-SS steel)	thread size [mm]	hose I.D. [inch]
TI-ZKW110-22-04	TI-ZKW110-22-04-SS	M22x1.5	1/4
TI-ZKW110-22-05	TI-ZKW110-22-05-SS	M22x1.5	5/16
TI-ZKW110-22-06	TI-ZKW110-22-06-SS	M22x1.5	3/8
-	TI-ZKW110-22-08-SS	M22x1.5	1/2

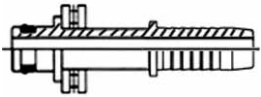
Fitting for cleaning equipment		
		
ZKW210		
code (carbon steel)	thread size [mm]	hose I.D. [inch]
TI-ZKW210-22-05	M22x1.5	5/16
TI-ZKW211-22-05*	M22x1.5	5/16

* - fitting with long nut.

Fitting for cleaning equipment (long nut)			
			
ZKW111			
code (carbon steel)	code (stainle-SS steel)	thread size [mm]	hose I.D. [inch]
TI-ZKW111-22-04	TI-ZKW111-22-04-SS	M22x1.5	1/4
TI-ZKW111-22-05	TI-ZKW111-22-05-SS	M22x1.5	5/16
TI-ZKW111-22-06	TI-ZKW111-22-06-SS	M22x1.5	3/8

Fitting for cleaning equipment (brass nut)		
		
ZKW150		
code (carbon steel)	thread size [mm]	hose I.D. [inch]
TI-ZKW150-22-04	M22x1.5	1/4
TI-ZKW150-22-05	M22x1.5	5/16
TI-ZKW150-22-06	M22x1.5	3/8

Fitting for cleaning equipment (for spray gun)		
		
ZKR110		
code	pipe diameter [mm]	hose I.D. [inch]
TI-ZKR110-10-04	10	1/4
TI-ZKR110-10-05	10	5/16
TI-ZKR110-10-06	10	3/8

Bearing fitting for cleaning equipment (for spray gun)			
			
ZKR180			
code (carbon steel)	code (stainle-SS steel)	pipe diameter [mm]	hose I.D. [inch]
-	TI-ZKR180-10-04-SS	10	1/4
-	TI-ZKR180-10-05-SS	10	5/16
TI-ZKR180-11-04	TI-ZKR180-11-04-SS	11	1/4
TI-ZKR180-11-05	TI-ZKR180-11-05-SS	11	5/16