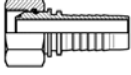
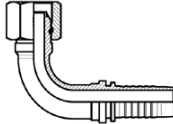
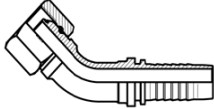

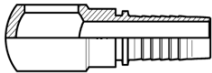
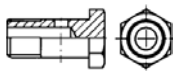
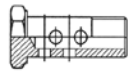



# HIGH PRESSURE - fittings

## Standard fittings - Z type

TI-Z STANDARD		BSP thread, 60° cone, O-ring		
		DKOR	DKOR 90	DKOR 45
thread size [inch]	hose I.D. [inch]			
		code	code	code
1/4	1/4	TI-ZBW120-04-04	TI-ZBW220-04-04	TI-ZBW320-04-04
3/8	3/8	TI-ZBW120-06-06	TI-ZBW220-06-06	TI-ZBW320-06-06
1/2	1/2	TI-ZBW120-08-08	TI-ZBW220-08-08	TI-ZBW320-08-08
3/4	3/4	TI-ZBW120-12-12	TI-ZBW220-12-12	TI-ZBW320-12-12
1	1	TI-ZBW120-16-16	TI-ZBW220-16-16	TI-ZBW320-16-16
1.1/4	1.1/4	TI-ZBW120-20-20	TI-ZBW220-20-20	TI-ZBW320-20-20
1.1/2	1.1/2	TI-ZBW120-24-24	TI-ZBW220-24-24	TI-ZBW320-24-24
2	2	TI-ZBW120-32-32	TI-ZBW220-32-32	TI-ZBW320-32-32

TI-Z STANDARD		BANJO imperial			
		copper washer	RNR	bolt	double bolt
thread size [inch]	hose I.D. [inch]				
		code	code	code	code
1/8	3/16	TI-UM-10/16	TI-ZBB600-02-03	TI-ZBB610-02	TI-ZBB620-02
	1/4		TI-ZBB600-02-04		
1/4	3/16	TI-UM-13/19	TI-ZBB600-04-03	TI-ZBB610-04*	TI-ZBB620-04
	1/4		TI-ZBB600-04-04*		
	5/16		TI-ZBB600-04-05		
	3/8		TI-ZBB600-04-06		
3/8	1/4	TI-UM-17/21	TI-ZBB600-06-04	TI-ZBB610-06*	TI-ZBB620-06
	5/16		TI-ZBB600-06-05*		
	3/8		TI-ZBB600-06-06*		
	1/2		TI-ZBB600-06-08*		
1/2	3/8	TI-UM-21/26	TI-ZBB600-08-06*	TI-ZBB610-08*	TI-ZBB620-08
	1/2		TI-ZBB600-08-08*		
5/8	1/2	TI-UM-24/30	TI-ZBB600-10-08	TI-ZBB610-10	TI-ZBB620-10
	5/8		TI-ZBB600-10-10		
3/4	1/2	TI-UM-27/33	TI-ZBB600-12-08*	TI-ZBB610-12*	TI-ZBB620-12
	5/8		TI-ZBB600-12-10		
	3/4		TI-ZBB600-12-12*		
1	3/4	TI-UM-33/40	TI-ZBB600-16-12	TI-ZBB610-16*	TI-ZBB620-16
	1		TI-ZBB600-16-16*		

TI-Z STANDARD		BSP thread, reversed cone 60° - TOYOTA
thread size [inch]	hose I.D. [inch]	
		code
1/4	1/4	TI-ZBW150-04-04
3/8	3/8	TI-ZBW150-06-06
1/2	1/2	TI-ZBW150-08-08
3/4	3/4	TI-ZBW150-12-12
1	1	TI-ZBW150-16-16

\* - available in AISI 316 steel