


# MACHINES AND ACCESSORIES - protection and sealing

## Seals

### Metal-rubber seals

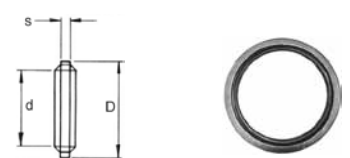
DOWTY seal - imperial (galv. steel, NBR70)



**UDB**

code	size [inch]	dimensions [mm]			burst. press. [bar]
		d	D	s	
TI-UDB-02	1/8	10.37	15.88	2	1500
TI-UDB-04	1/4	13.74	20.57	2	1550
TI-UDB-06	3/8	17.28	23.80	2	1260
TI-UDB-08	1/2	21.54	28.58	2.5	1150
TI-UDB-10	5/8	23.49	31.75	2.5	1250
TI-UDB-12	3/4	27.05	34.93	2.5	1060
TI-UDB-16	1	33.89	42.80	3.2	810
TI-UDB-20	1.1/4	42.93	52.38	3.2	690
TI-UDB-24	1.1/2	48.44	58.60	3.2	690
TI-UDB-32	2	60.58	73.03	3.2	700


DOWTY seal - metric (galv. steel, NBR70)



**UDM**

code	size [mm]	dimensions [mm]			burst. press. [bar]
		d	D	s	
TI-UDM-08	8	8.7	13	1	1330
TI-UDM-10	10	10.7	16	1.5	1350
TI-UDM-12	12	12.7	18	1.5	1250
TI-UDM-14	14	14.7	22	1.5	1510
TI-UDM-16	16	16.7	24	1.5	1400
TI-UDM-18	18	18.7	26	1.5	1275
TI-UDM-20	20	20.7	28	1.5	1150
TI-UDM-22	22	22.7	30	2	1100
TI-UDM-24	24	24.7	32	2	1050
TI-UDM-26	26	26.7	35	2	1050
TI-UDM-30	30	31.0	39	2	860
TI-UDM-33	33	33.7	42	2	900
TI-UDM-36	36	36.7	46	2	880
TI-UDM-42	42	42.7	53	3	940


DOWTY seal - imperial (AISI 316L, Viton 75)



**UDB-SS**

code	size [inch]	dimensions [mm]			burst. press. [bar]
		d	D	s	
TI-UDB-02-SS	1/8	10.37	15.88	2	1480
TI-UDB-04-SS	1/4	13.74	20.57	2	1540
TI-UDB-06-SS	3/8	17.28	23.80	2	1230
TI-UDB-08-SS	1/2	21.54	28.58	2	1120
TI-UDB-10-SS	5/8	23.49	31.75	2.5	1240
TI-UDB-12-SS	3/4	27.05	34.93	2	1050
TI-UDB-16-SS	1	33.89	42.80	2.5	780
TI-UDB-20-SS	1.1/4	42.93	52.38	2.5	690
TI-UDB-24-SS	1.1/2	48.44	58.60	2.5	690
TI-UDB-32-SS	2	60.58	73.03	2.5	720

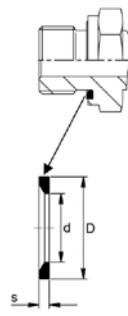
DOWTY seal - metric (AISI 316L, Viton 75)



**UDM-SS**

code	size [mm]	dimensions [mm]			burst. press. [bar]
		d	D	s	
TI-UDM-12-SS	12	12.7	18	1.5	1680
TI-UDM-14-SS	14	14.7	22	1.5	1510
TI-UDM-16-SS	16	16.7	24	1.5	1370
TI-UDM-18-SS	18	18.7	26	1.5	1260
TI-UDM-22-SS	22	22.7	30	2	1080

### Profiled seals according to DIN 3869

code (NBR85)	code (Viton80)	metric thread	inch thread	dimensions [mm]			DIN 3852-11E
				d	D	s	
TI-UE-08	TI-UE-08-V	8x1	-	6.5	9.9	1	
TI-UE-10	TI-UE-10-V	10x1	1/8 BSP	8.4	11.9	1	
TI-UE-12	TI-UE-12-V	12x1.5	-	9.8	14.4	1.5	
TI-UE-14	TI-UE-14-V	14x1.5	1/4 BSP	11.6	16.5	1.5	
TI-UE-16	TI-UE-16-V	16x1.5	-	13.8	18.9	1.5	
TI-UE-17	TI-UE-17-V	-	3/8 BSP	14.7	18.9	1.5	
TI-UE-18	TI-UE-18-V	18x1.5	-	15.7	20.9	1.5	
TI-UE-20	TI-UE-20-V	20x1.5	-	17.8	22.9	1.5	
TI-UE-21	TI-UE-21-V	-	1/2 BSP	18.5	23.9	1.5	
TI-UE-22	TI-UE-22-V	22x1.5	-	19.6	24.3	1.5	
TI-UE-26	TI-UE-26-V	26x1.5 / 27x2	3/4 BSP	23.9	29.2	1.5	
TI-UE-33	TI-UE-33-V	33x2	1 BSP	29.7	35.7	2	
TI-UE-42	TI-UE-42-V	42x2	1.1/4 BSP	38.8	45.8	2	
TI-UE-48	TI-UE-48-V	48x2	1.1/2 BSP	44.7	50.7	2	