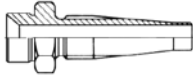
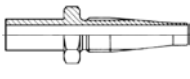
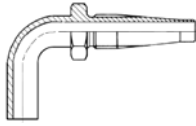
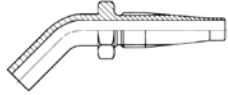

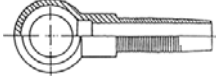

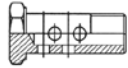

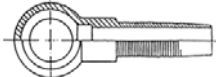

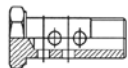


HIGH PRESSURE - fittings

Reusable fittings S type

TI-S REUSABLE		Metric standpipe, heavy series			
		CES	BES	BES 90	BES 45
pipe O.D. [mm]	hose I.D. [inch]				
		code	code	code	code
6	5/32	-	TI-SMR112-06-025*	TI-SMR212-06-025*	-
	3/16	-	TI-SMR112-06-03	TI-SMR212-06-03	TI-SMR312-06-03
8	3/16	-	TI-SMR112-08-03	TI-SMR212-08-03	-
10	1/4	TI-SMZ112-18-04	TI-SMR112-10-04	TI-SMR212-10-04	TI-SMR312-10-04
12	5/16	-	TI-SMR112-12-05	TI-SMR212-12-05	TI-SMR312-12-05
14	3/8	TI-SMZ112-22-06	TI-SMR112-14-06	TI-SMR212-14-06	TI-SMR312-14-06
16	1/2	TI-SMZ112-24-08	TI-SMR112-16-08	TI-SMR212-16-08	TI-SMR312-16-08
20	5/8	-	TI-SMR112-20-10	TI-SMR212-20-10	TI-SMR312-20-10
25	3/4	-	TI-SMR112-25-12	TI-SMR212-25-12	TI-SMR312-25-12
30	1	-	TI-SMR112-30-16	-	-

TI-S REUSABLE		BANJO imperial			
		copper seal	RNR	bolt	double bolt
thread size [inch]	hose I.D. [inch]				
		code	code	code	code
1/8	5/32	TI-UM-10-16	TI-SBB600-02-025*	TI-ZBB610-02	TI-ZBB620-02
	3/16		TI-SBB600-02-03		
1/4	1/4	TI-UM-13-19	TI-SBB600-02-04	TI-ZBB610-04	TI-ZBB620-04
	3/16		TI-SBB600-04-03		
3/8	1/4	TI-UM-17-21	TI-SBB600-04-04	TI-ZBB610-06	TI-ZBB620-06
	5/16		TI-SBB600-06-04		
1/2	3/8	TI-UM-21-26	TI-SBB600-06-05	TI-ZBB610-08	TI-ZBB620-08
	1/2		TI-SBB600-06-06		
3/4	3/8	TI-UM-27-33	TI-SBB600-08-06	TI-ZBB610-12	TI-ZBB620-12
	1/2		TI-SBB600-08-08		
3/4	5/8	TI-UM-27-33	TI-SBB600-12-10	TI-ZBB610-12	TI-ZBB620-12
	3/4		TI-SBB600-12-12		

TI-S REUSABLE		BANJO metric			
		copper seal	RNM	bolt	double
thread size [mm]	hose I.D. [inch]				
		code	code	code	code
M10	5/32	TI-UM-10-16	TI-SMB600-10-025*	TI-ZMB610-10X1	TI-ZMB620-10X1
	3/16		TI-SMB600-10-03		
M12	1/4	TI-UM-12-18	TI-SMB600-10-04	TI-ZMB610-12X1,5	TI-ZMB610-12X1,5
	5/16		TI-SMB600-12-04		
M16	5/16	TI-UM-16-22	TI-SMB600-16-05	TI-ZMB610-16X1,5	TI-ZMB610-16X1,5
	3/8		TI-SMB600-18-05		
M18	1/2	TI-UM-18-24	TI-SMB600-18-06	TI-ZMB610-18X1,5	TI-ZMB620-18X1,5
	3/8		TI-SMB600-18-08		
M20	3/8	TI-UM-20-26	TI-SMB600-20-06	TI-ZMB610-20X1,5	TI-ZMB620-20X1,5

* - only for 4 x 8 mm hoses.