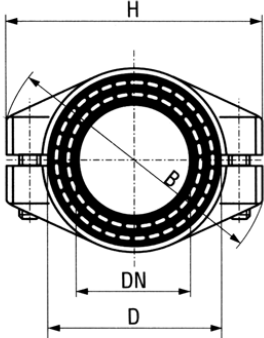


INDUSTRIAL FITTINGS - clips, clamps, ferrules

Safety clamps EN 14420-3 (DIN 2817)

Material: Aluminium
Working press.: 25 bar (EN 14420-3)

Safety clamp in economic version designed to assemble a hose on a fitting with a safety collar.
 DN - hose inside diameter x hose wall thickness.

	code	DN [mm]	D min+max [mm]	material	dimensions [mm]		
					H	B	L
	TI-SC-013-050-AL	13 x 5	22 ÷ 24	Al	50	51	59
	TI-SC-019-060-AL	19 x 6	30 ÷ 33	Al	50	63	68
	TI-SC-025-060-AL	25 x 6	36 ÷ 39	Al	50	69	75
	TI-SC-025-080-AL	25 x 8	40 ÷ 43	Al	50	76	79
	TI-SC-032-060-AL	32 x 6	43 ÷ 46	Al	50	76	77
	TI-SC-032-080-AL	32 x 8	47 ÷ 50	Al	50	76	85
	TI-SC-038-065-AL	38 x 6.5	50 ÷ 53	Al	50	83	85
	TI-SC-038-080-AL	38 x 8	53 ÷ 56	Al	50	85	87
	TI-SC-038-100-AL	38 x 10	57 ÷ 60	Al	50	85	92
	TI-SC-040-070-AL	40 x 7	53 ÷ 56	Al	50	85	87
	TI-SC-045-070-AL	45 x 7	58 ÷ 61	Al	57	98	101
	TI-SC-050-060-AL	50 x 6	61 ÷ 65	Al	56	98	103
	TI-SC-050-080-AL	50 x 8	63 ÷ 67	Al	56	102	106
	TI-SC-050-100-AL	50 x 10	69 ÷ 71	Al	56	106	110
	TI-SC-063-080-AL	63 x 8	78 ÷ 82	Al	74	120	121
	TI-SC-063-100-AL	63 x 10	82 ÷ 85	Al	74	124	126
	TI-SC-075-080-AL	75 x 8	89 ÷ 94	Al	76	132	133
	TI-SC-075-100-AL	75 x 10	94 ÷ 97	Al	76	136	140
	TI-SC-075-120-AL	75 x 12	99 ÷ 102	Al	77	148	142
	TI-SC-080-080-AL	80 x 8	94 ÷ 97	Al	76	137	140
	TI-SC-100-080-AL	100 x 8	114 ÷ 119	Al	120	166	167
	TI-SC-100-100-AL	100 x 10	118 ÷ 122	Al	120	170	169
	TI-SC-100-120-AL	100 x 12	122 ÷ 126	Al	120	174	176
	TI-SC-100-140-AL	100 x 14	126 ÷ 130	Al	120	185	182
	TI-SC-100-160-AL	100 x 16	130 ÷ 134	Al	120	185	187
	TI-SC-125-100-AL	125 x 10	143 ÷ 148	Al	147	192	192
	TI-SC-150-100-AL	150 x 10	167 ÷ 173	Al	180	227	235
	TI-SC-150-130-AL	150 x 13	174 ÷ 180	Al	182	233	237
	TI-SC-200-120-AL	200 x 12	222 ÷ 229	Al	240	284	291

