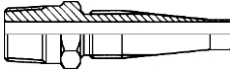
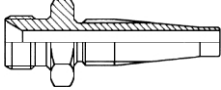
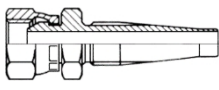
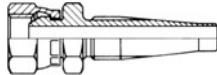


S-type bolted hardware

TI-S CROSSED		BSPT thread, 60° taper	
		AGR-K	
thread size [inch]	Hose inside diameter [inch].		
		index	
1/8	3/16	TI-SBZ130-02-03	
1/4	1/4	TI-SBZ130-04-04	
3/8	5/16	TI-SBZ130-06-05	
	3/8	TI-SBZ130-06-06	
1/2	1/2	TI-SBZ130-08-08	
3/4	5/8	TI-SBZ130-12-10	
	3/4	TI-SBZ130-12-12	
1	1	TI-SBZ130-16-16	
1.1/4	1.1/4	TI-SBZ130-20-20	
1.1/2	1.1/2	TI-SBZ130-24-24	

TI-S CROSSED		BSP thread, 60° taper			
		AGR	DKR	DKR 90	DKR 45
thread size [inch]	Hose inside diameter [inch].				
		index		index	
1/8	5/32	-	TI-SBW110-02-025*	TI-SBW210-02-025*	-
	3/16	TI-SBZ110-02-03	TI-SBW110-02-03	TI-SBW210-02-03	TI-SBW310-02-03
1/4	5/32	-	TI-SBW110-04-025*	TI-SBW210-04-025*	-
	3/16	-	TI-SBW110-04-03	TI-SBW210-04-03	TI-SBW310-04-03
	1/4	TI-SBZ110-04-04	TI-SBW110-04-04	TI-SBW210-04-04	TI-SBW310-04-04
	5/16	-	TI-SBW110-04-05	TI-SBW210-04-05	-
3/8	5/16	TI-SBZ110-06-05	TI-SBW110-06-05	TI-SBW210-06-05	TI-SBW310-06-05
	3/8	TI-SBZ110-06-06	TI-SBW110-06-06	TI-SBW210-06-06	TI-SBW310-06-06
1/2	1/2	TI-SBZ110-08-08	TI-SBW110-08-08	TI-SBW210-08-08	TI-SBW310-08-08
5/8	5/8	TI-SBZ110-10-10	TI-SBW110-10-10	TI-SBW210-10-10	TI-SBW310-10-10
3/4	3/4	TI-SBZ110-12-12	TI-SBW110-12-12	TI-SBW210-12-12	TI-SBW310-12-12
1	1	TI-SBZ110-16-16	TI-SBW110-16-16	TI-SBW210-16-16	TI-SBW310-16-16
1.1/4	1.1/4	-	TI-SBW110-20-20	TI-SBW210-20-20	TI-SBW310-20-20
1.1/2	1.1/2	-	TI-SBW110-24-24	TI-SBW210-24-24	TI-SBW310-24-24

* - only for 4x8 mm hoses.

TI-S CROSSED		Metric thread, 60° taper	
		DKM	
thread size [mm]	Hose inside diameter [inch].		
		index	
M12x1.5	1/4	TI-SMW160-12-04	
M14x1.5	1/4	TI-SMW160-14-04	
	5/16	TI-SMW160-14-05	
M16x1.5	1/4	TI-SMW160-16-04	
	5/16	TI-SMW160-16-05	
M18x1.5	3/8	TI-SMW160-16-06	
	5/16	TI-SMW160-18-05	
	3/8	TI-SMW160-18-06	
M22x1.5	1/2	TI-SMW160-18-08	
	3/8	TI-SMW160-22-06	
M26x1.5	1/2	TI-SMW160-22-08	
	5/8	TI-SMW160-26-10	
	3/4	TI-SMW160-26-12	