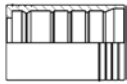
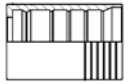




HIGH PRESSURE - fittings


INTERLOCK fittings - IL type

TI-IL INTERLOCK	Crimp ferrules			
	IL4		IL13	
hose I.D. [inch]				
	code	hose type	code	hose type
3/4	TI-IL4-12*	4SH / R13 / R15	-	-
1	TI-IL4-16*	4SH / R13 / R15	-	-
1.1/4	TI-IL4-20*	4SH	TI-IL13-20*	R13 / R15
1.1/2	TI-IL4-24*	4SH	TI-IL13-24*	R13 / R15
2	TI-IL4-32*	4SH	TI-IL13-32*	R13 / R15

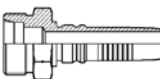
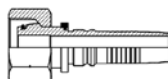
* - available in AISI 316 steel

TI-IL INTERLOCK		BSP thread, 60° cone, O-ring			
thread size [inch]	hose I.D. [inch]	AGR	DKOR	DKOR 90	DKOR 45
					
		code	code	code	code
3/4	3/4	TI-ILBZ110-12-12*	TI-ILBW110-12-12*	TI-ILBW210-12-12*	TI-ILBW310-12-12*
1	1	TI-ILBZ110-16-16*	TI-ILBW110-16-16*	TI-ILBW210-16-16*	TI-ILBW310-16-16*
1.1/4	1.1/4	TI-ILBZ110-20-20*	TI-ILBW110-20-20*	TI-ILBW210-20-20*	TI-ILBW310-20-20*
1.1/2	1.1/2	TI-ILBZ110-24-24*	TI-ILBW110-24-24*	TI-ILBW210-24-24*	TI-ILBW310-24-24*
2	2	TI-ILBZ110-32-32*	TI-ILBW110-32-32*	TI-ILBW210-32-32*	TI-ILBW310-32-32*

* - available in AISI 316 steel

TI-IL INTERLOCK		NPTF thread, 60° cone AGN	
thread size [inch]	hose I.D. [inch]		
		code	
3/4	3/4	TI-ILNZ110-12-12*	
1	1	TI-ILNZ110-16-16*	
1.1/4	1.1/4	TI-ILNZ110-20-20*	
1.1/2	1.1/2	TI-ILNZ110-24-24*	
2	2	TI-ILNZ110-32-32*	

* - available in AISI 316 steel

TI-IL INTERLOCK		Metric thread, 24° cone, O-ring, heavy series			
thread size [inch]	hose I.D. [inch]	CES	DKOS	DKOS 90	DKOS 45
					
		code	code	code	code
M30x2	3/4	TI-ILMZ112-30-12*	TI-ILMW122-30-12*	TI-ILMW222-30-12*	TI-ILMW322-30-12*
M36x2	3/4	TI-ILMZ112-36-12*	TI-ILMW122-36-12*	TI-ILMW222-36-12*	TI-ILMW322-36-12*
M42x2	1	TI-ILMZ112-42-16*	TI-ILMW122-42-16*	TI-ILMW222-42-16*	TI-ILMW322-42-16*
M52x2	1.1/4	TI-ILMZ112-52-20*	TI-ILMW122-52-20*	TI-ILMW222-52-20*	TI-ILMW322-52-20*

* - available in AISI 316 steel