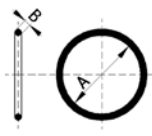
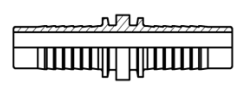


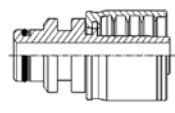
HIGH PRESSURE - fittings


Standard fittings - Z type

TI-Z STANDARD	Seals for ORFS fittings - O-ring (NBR90)	
thread size [inch]		
	code	A x B [mm]
9/16-18	TI-UOZ110-09	7.65 x 1.78
11/16-16	TI-UOZ110-11	9.25 x 1.78
13/16-16	TI-UOZ110-13	12.42 x 1.78
1-14	TI-UOZ110-16	15.60 x 1.78
1.3/16-12	TI-UOZ110-19	18.77 x 1.78
1.7/16-12	TI-UOZ110-23	23.52 x 1.78
1.11/16-12	TI-UOZ110-27	29.87 x 1.78
2-12	TI-UOZ110-32	37.82 x 1.78

TI-Z STANDARD	Connector	
hose I.D. [inch]		
	code	
3/16	TI-ZLL110-03-03	
1/4	TI-ZLL110-04-04*	
5/16	TI-ZLL110-05-05*	
3/8	TI-ZLL110-06-06*	
1/2	TI-ZLL110-08-08*	
5/8	TI-ZLL110-10-10*	
3/4	TI-ZLL110-12-12*	
1	TI-ZLL110-16-16*	

* - available in AISI 316 steel

TI-G MINING		STECKO	
connection size [inch]	hose I.D. [inch]	For 2SN hose	For 4SP hose
			
		code	code
1/4	1/4	TI-GST120-04-04-2SN	TI-GST120-04-04-4SP
3/8	3/8	TI-GST120-06-06-2SN	TI-GST120-06-06-4SP
1/2	1/2	TI-GST120-08-08-2SN	TI-GST120-08-08-4SP
3/4	3/4	TI-GST120-12-12-2SN	TI-GST120-12-12-4SP
1	1	TI-GST120-16-16-2SN	TI-GST120-16-16-4SP
1.1/4	1.1/4	TI-GST120-20-20-2SN	TI-GST120-20-20-4SP

TI-G MINING		STECKO - dimensions	
connection size [inch]	hose I.D. [inch]		
		D [mm]	d [mm]
1/4	1/4	15	10
3/8	3/8	20	14
1/2	1/2	24	18
3/4	3/4	29	24
1	1	39	31
1.1/4	1.1/4	46	38

STECKO fittings are delivered as a set with a crimp ferrule.