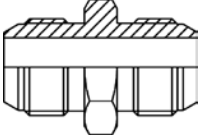
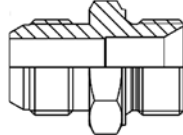
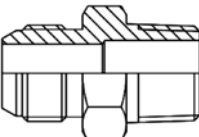


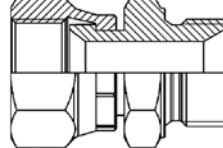
# HIGH PRESSURE - adapters

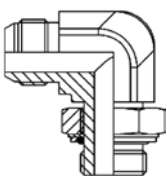
## JIS adapters (KOMATSU)

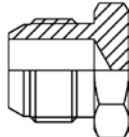

60° metric male thread		
		
<b>A501</b>		
code (carbon steel)	thread size [mm]	
TI-A501-14-14	M14x1.5	
TI-A501-16-16	M16x1.5	
TI-A501-18-18	M18x1.5	
TI-A501-22-22	M22x1.5	
TI-A501-24-24	M24x1.5	
TI-A501-30-30	M30x1.5	
TI-A501-33-33	M33x1.5	

60° metric / BSPT male thread		
		
<b>A502</b>		
code (carbon steel)	thread size [mm]	thread size [inch]
TI-A502-14-04	M14x1.5	1/4
TI-A502-18-06	M18x1.5	3/8
TI-A502-22-08	M22x1.5	1/2
TI-A502-24-10	M24x1.5	5/8
TI-A502-30-12	M30x1.5	3/4
TI-A502-33-16	M33x1.5	1

60° metric / BSPT male thread		
		
<b>A503</b>		
code (carbon steel)	thread size [mm]	thread size [inch]
TI-A503-14-04	M14x1.5	1/4
TI-A503-16-06	M16x1.5	3/8
TI-A503-18-06	M18x1.5	3/8
TI-A503-22-08	M22x1.5	1/2
TI-A503-24-10	M24x1.5	5/8
TI-A503-30-12	M30x1.5	3/4
TI-A503-33-16	M33x1.5	1

60° metric female / BSP 60° male thread		
		
<b>A504</b>		
code (carbon steel)	thread size [mm]	thread size [inch]
TI-A504-14-04	M14x1.5	1/4
TI-A504-18-06	M18x1.5	3/8
TI-A504-22-08	M22x1.5	1/2
TI-A504-30-12	M30x1.5	3/4

60° metric / BSP male thread		
		
<b>A505</b>		
code (carbon steel)	thread size [mm]	thread size [inch]
TI-A505-14-04	M14x1.5	1/4
TI-A505-16-06	M16x1.5	3/8
TI-A505-18-06	M18x1.5	3/8
TI-A505-22-08	M22x1.5	1/2
TI-A505-30-12	M30x1.5	3/4
TI-A505-33-16	M33x1.5	1

60° metric male thread		60° metric female thread
		
<b>A506</b>		<b>A507</b>
code (carbon steel)	code (carbon steel)	thread size [mm]
TI-A506-14-14	TI-A507-14-14	M14x1.5
TI-A506-16-16	TI-A507-16-16	M16x1.5
TI-A506-18-18	TI-A507-18-18	M18x1.5
TI-A506-22-22	TI-A507-22-22	M22x1.5
TI-A506-24-24	TI-A507-24-24	M24x1.5
TI-A506-30-30	TI-A507-30-30	M30x1.5
TI-A506-33-33	TI-A507-33-33	M33x1.5