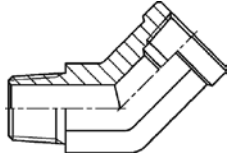
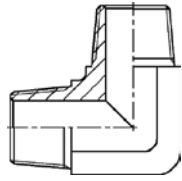
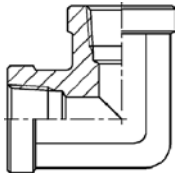


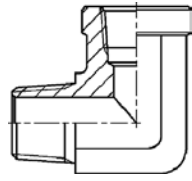
# HIGH PRESSURE - adapters

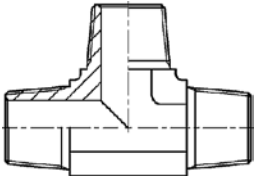
## NPT adapters

NPT male / female thread		
		
<b>A304</b>		
code (carbon steel)	code (stainless steel)	thread size [inch]
TI-A304-02-02	-	1/8
TI-A304-04-04	-	1/4
TI-A304-06-06	-	3/8
TI-A304-08-08	-	1/2
TI-A304-12-12	-	3/4
TI-A304-16-16	-	1
TI-A304-20-20	-	1.1/4
TI-A304-24-24	-	1.1/2

2 x NPT male thread		
		
<b>A305</b>		
code (carbon steel)	code (stainless steel)	thread size [inch]
TI-A305-02-02	TI-A305-02-02-SS	1/8
TI-A305-04-04	TI-A305-04-04-SS	1/4
TI-A305-04-06	-	1/4
TI-A305-06-06	TI-A305-06-06-SS	3/8
TI-A305-08-08	TI-A305-08-08-SS	1/2
TI-A305-12-12	-	3/4
TI-A305-16-16	-	1
TI-A305-20-20	-	1.1/4
TI-A305-24-24	-	1.1/2
TI-A305-32-32	-	2

NPT female thread		
		
<b>A306</b>		
code (carbon steel)	code (stainless steel)	thread size [inch]
TI-A306-02-02	TI-A306-02-02-SS	1/8
TI-A306-04-04	-	1/4
TI-A306-06-06	TI-A306-06-06-SS	3/8
TI-A306-08-08	TI-A306-08-08-SS	1/2
TI-A306-12-12	TI-A306-12-12-SS	3/4
TI-A306-16-16	-	1
TI-A306-20-20	-	1.1/4
TI-A306-24-24	-	1.1/2
TI-A306-32-32	-	2

NPT male / female thread		
		
<b>A307</b>		
code (carbon steel)	code (stainless steel)	thread size [inch]
TI-A307-02-02	TI-A307-02-02-SS	1/8
TI-A307-04-02	-	1/4
TI-A307-04-04	TI-A307-04-04-SS	1/4
TI-A307-06-06	TI-A307-06-06-SS	3/8
TI-A307-08-08	TI-A307-08-08-SS	1/2
TI-A307-12-12	TI-A307-12-12-SS	3/4
TI-A307-16-16	TI-A307-16-16-SS	1
TI-A307-20-20	TI-A307-20-20-SS	1.1/4
TI-A307-24-24	-	1.1/2
TI-A307-32-32	-	2

3 x NPT male thread		
		
<b>A308</b>		
code (carbon steel)	code (stainless steel)	thread size [inch]
TI-A308-02	TI-A308-02-SS	1/8
TI-A308-04	TI-A308-04-SS	1/4
TI-A308-06	TI-A308-06-SS	3/8
TI-A308-08	TI-A308-08-SS	1/2
TI-A308-12	TI-A308-12-SS	3/4
TI-A308-16	-	1