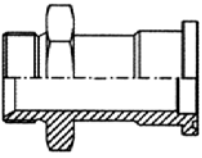
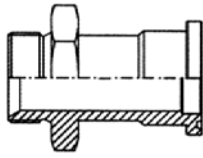
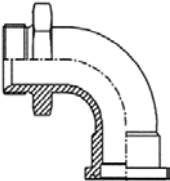


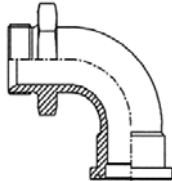
# HIGH PRESSURE - adapters

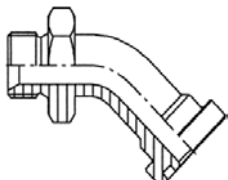
## BSP (BSPT) adapters

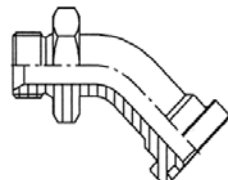
BSP male thread / SAE 3000 flange			
			
<b>A118</b>			
code (carbon steel)	code (stainless steel)	thread size [inch]	flange size [inch]
TI-A118-08	-	1/2	1/2
TI-A118-12	-	3/4	3/4
TI-A118-16	-	1	1
TI-A118-20	-	1.1/4	1.1/4
TI-A118-24	-	1.1/2	1.1/2
TI-A118-32	-	2	2

BSP male thread / SAE 6000 flange			
			
<b>A119</b>			
code (carbon steel)	code (stainless steel)	thread size [inch]	flange size [inch]
TI-A119-08	-	1/2	1/2
TI-A119-12	-	3/4	3/4
TI-A119-16	-	1	1
TI-A119-20	-	1.1/4	1.1/4
TI-A119-24	-	1.1/2	1.1/2
TI-A119-32	-	2	2

BSP male thread / SAE 3000 flange			
			
<b>A120</b>			
code (carbon steel)	code (stainless steel)	thread size [inch]	flange size [inch]
TI-A120-08	-	1/2	1/2
TI-A120-12	-	3/4	3/4
TI-A120-16	-	1	1
TI-A120-20	-	1.1/4	1.1/4
TI-A120-24	-	1.1/2	1.1/2
TI-A120-32	-	2	2

BSP male thread / SAE 6000 flange			
			
<b>A121</b>			
code (carbon steel)	code (stainless steel)	thread size [inch]	flange size [inch]
TI-A121-08	-	1/2	1/2
TI-A121-12	-	3/4	3/4
TI-A121-16	-	1	1
TI-A121-20	-	1.1/4	1.1/4
TI-A121-24	-	1.1/2	1.1/2
TI-A121-32	-	2	2

BSP male thread / SAE 3000 flange			
			
<b>A122</b>			
code (carbon steel)	code (stainless steel)	thread size [inch]	flange size [inch]
TI-A122-08	-	1/2	1/2
TI-A122-12	-	3/4	3/4
TI-A122-16	-	1	1
TI-A122-20	-	1.1/4	1.1/4
TI-A122-24	-	1.1/2	1.1/2
TI-A122-32	-	2	2

BSP male thread / SAE 6000 flange			
			
<b>A123</b>			
code (carbon steel)	code (stainless steel)	thread size [inch]	flange size [inch]
TI-A123-08	-	1/2	1/2
TI-A123-12	-	3/4	3/4
TI-A123-16	-	1	1
TI-A123-20	-	1.1/4	1.1/4
TI-A123-24	-	1.1/2	1.1/2
TI-A123-32	-	2	2