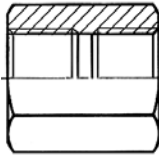

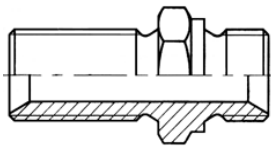


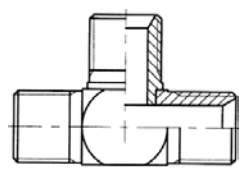
HIGH PRESSURE - adapters

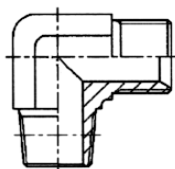
BSP (BSPT) adapters

2 x BSP female thread			
			
A106			
code (carbon steel)	code (stainless steel)	thread size [inch]	thread size [inch]
TI-A106-02-02	-	1/8	1/8
TI-A106-02-04	-	1/8	1/4
TI-A106-02-06	-	1/8	3/8
TI-A106-02-08	-	1/8	1/2
TI-A106-04-04	TI-A106-04-04-SS	1/4	1/4
TI-A106-04-06	-	1/4	3/8
TI-A106-04-08	-	1/4	1/2
TI-A106-04-12	-	1/4	3/4
TI-A106-06-06	TI-A106-06-06-SS	3/8	3/8
TI-A106-06-08	-	3/8	1/2
TI-A106-06-12	-	3/8	3/4
TI-A106-08-08	TI-A106-08-08-SS	1/2	1/2
TI-A106-08-12	-	1/2	3/4
TI-A106-08-16	-	1/2	1
TI-A106-12-12	TI-A106-12-12-SS	3/4	3/4
TI-A106-12-16	-	3/4	1
TI-A106-16-16	TI-A106-16-16-SS	1	1
TI-A106-20-20	-	1.1/4	1.1/4
TI-A106-24-24	-	1.1/2	1.1/2
TI-A106-32-32	-	2	2

BSP thread		
		
A108		
code (carbon steel)	code (stainless steel)	thread size [inch]
TI-A108-02	-	1/8
TI-A108-04	TI-A108-04-SS	1/4
TI-A108-06	TI-A108-06-SS	3/8
TI-A108-08	TI-A108-08-SS	1/2
TI-A108-12	TI-A108-12-SS	3/4
TI-A108-16	TI-A108-16-SS	1
TI-A108-20	-	1.1/4
TI-A108-24	-	1.1/2

2 x BSP 60° male thread (use A108 nut adapter)		
		
A107		
code (carbon steel)	code (stainless steel)	thread size [inch]
TI-A107-04	TI-A107-04-SS	1/4
TI-A107-06	TI-A107-06-SS	3/8
TI-A107-08	TI-A107-08-SS	1/2
TI-A107-12	TI-A107-12-SS	3/4
TI-A107-16	TI-A107-16-SS	1
TI-A107-20	-	1.1/4
TI-A107-24	-	1.1/2

3 x BSP 60° male thread		
		
A109		
code (carbon steel)	code (stainless steel)	thread size [inch]
TI-A109-02	-	1/8
TI-A109-04	TI-A109-04-SS	1/4
TI-A109-06	TI-A109-06-SS	3/8
TI-A109-08	TI-A109-08-SS	1/2
TI-A109-10	-	5/8
TI-A109-12	TI-A109-12-SS	3/4
TI-A109-16	TI-A109-16-SS	1
TI-A109-20	TI-A109-20-SS	1.1/4
TI-A109-24	-	1.1/2

BSPT male thread / BSP male thread 60°		
		
A110		
code (carbon steel)	code (stainless steel)	thread size [inch]
TI-A110-02	TI-A110-02-SS	1/8
TI-A110-04	TI-A110-04-SS	1/4
TI-A110-06	TI-A110-06-SS	3/8
TI-A110-08	TI-A110-08-SS	1/2
TI-A110-12	TI-A110-12-SS	3/4
TI-A110-16	TI-A110-16-SS	1
TI-A110-20	-	1.1/4
TI-A110-24	TI-A110-24-SS	1.1/2
TI-A110-32	-	2