

INDUSTRIAL FITTINGS - clips, clamps, ferrules

Safety clamps EN 14420-3 (DIN 2817), EN 14423 (DIN 2826)

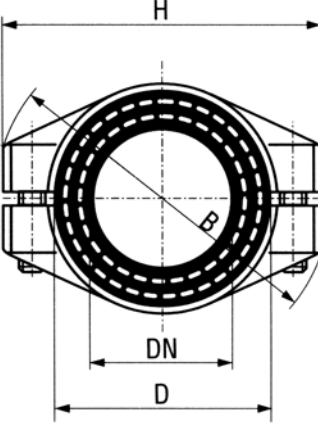
Material: SS (AISI 316), Ms (brass), Al (aluminium)
Working press.: 25 bar (EN 14420-3), up to 100 bar (EN 14423)

Safety clamp designed to assemble a hose on a fitting with a safety collar.

DN - hose inside diameter x hose wall thickness.

RS-636..., RS-637... (EN 14423) clamps designed for standard fittings (smooth).

RS-635... (EN 14420-3) clamps designed for high pressure and steam fittings (with serrated tail).

	code	DN [mm]	D min-max [mm]	material	dimensions [mm]			bolts	weight [kg]
					H	B	L		
	RS-636013005020	13 x 5	22+24	SS	56	59	50	4 x M6x20	0.25
	RS-636013005030			Ms					0.27
	RS-636013005040			Al					0.11
	RS-635013005030	13 x 6	24+26	Ms	54	57	65		0.37
	RS-635013006020			SS					0.32
	RS-635013006030			Ms					0.34
	RS-635013007030	13 x 7	26+28	Ms					0.31
	RS-636019006020	19 x 6	30+33	SS	65	68	50	4 x M6x20	0.31
	RS-636019006030			Ms					0.31
	RS-636019006040			Al					0.13
	RS-635019006030	19 x 7	32+34	Ms	67	70	65	4 x M8x25	0.54
	RS-635019007020			SS					0.50
	RS-635019007030			Ms					0.56
	RS-636025006020	25 x 6	36+39	SS	73	75	50	4 x M6x20	0.33
	RS-636025006030			Ms					0.33
	RS-636025006040			Al					0.14
	RS-635025007030	25 x 6.5	37+39	Ms	76	79	65	4 x M8x25	0.55
	RS-635025008020	25 x 7.5	39+41	SS	80	83			0.63
RS-635025008030	Ms			0.68					
RS-636025008030	25 x 8	40+43	Ms	76	79	50	4 x M6x20	0.38	
RS-636025008040			Al					0.14	
RS-635025009030	25 x 8.5	41+43	Ms	80	83	65	4 x M8x25	0.65	
RS-636032006020	32 x 6	43+46	SS	75	77	50	4 x M6x20	0.35	
RS-636032006030			Ms					0.41	
RS-636032006040			Al					0.15	
RS-635032006030	32 x 8	47+50	Ms	86	89	77	4 x M8x25	0.87	
RS-636032008030			Al					0.41	
RS-636032008040			SS					0.15	
RS-635032008020	32 x 8	47+50	SS	88	90	77	4 x M8x25	0.72	
RS-635032008030			Ms					0.78	
RS-636032010030	32 x 10	50+53	Ms	84	86	50	4 x M6x20	0.49	
RS-636032010040			Al					0.17	
RS-635032010030			Ms					0.83	
RS-636035006040	35 x 6	47+50	Al	83	85	50	4 x M6x20	0.15	
RS-636038007020	38 x 6.5	50+52	SS	83	85	50	4 x M6x20	0.38	
RS-636038007030			Ms					0.43	
RS-636038007040			Al					0.16	
RS-636038008030	38 x 8	53+56	Ms	85	87	90	4 x M10x40	0.50	
RS-636038008040			Al					0.18	
RS-635038008020			SS					1.30	
RS-635038008030	Ms	1.40							
RS-636038010030	38 x 10	57+60	Ms	90	92	50	4 x M6x20	0.50	
RS-636038010040			Al					0.18	
RS-635038010030			Ms					1.55	
RS-636040007030	40 x 7	53+56	Ms	85	87	50	4 x M6x20	0.50	
RS-636040007040			Al					0.18	
RS-636040010030			Ms					0.52	
RS-636040010040	40 x 10	58+61	Al	92	94			0.19	
RS-636045007040	45 x 7	58+61	Al	98	101	57	4 x M8x25	0.30	

