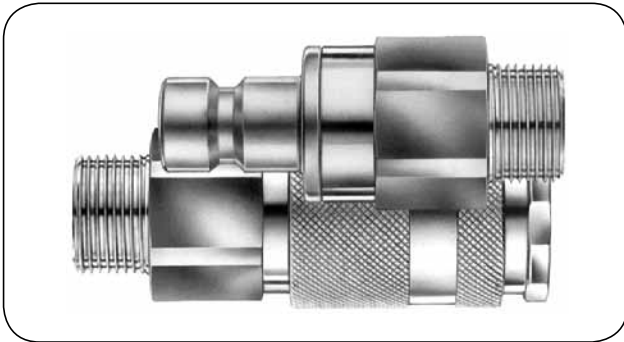
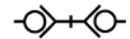


INDUSTRIAL FITTINGS - quick release couplings

RECTUS couplings



57 series DN 12

Flow rate: 5400 l/min at entrance pressure
 $P_e = 6 \text{ bar}$ ($\Delta p = 0.5 \text{ bar}$, air)

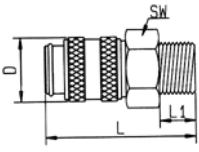
Working press.: 35 bar

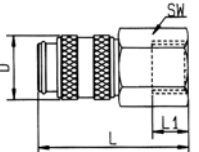
Working temp.: NBR: from -20°C up to $+100^\circ\text{C}$
 EPDM: from -40°C up to $+120^\circ\text{C}$
 Viton: from -15°C up to $+200^\circ\text{C}$
 (depending on the medium)

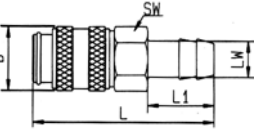
Material: As a standard the threaded part of a socket, body, locking ferrule, plug and valve are made of nickel-plated brass; spring and ring of AISI 301 steel, balls of AISI 420 steel, sealing of NBR.

Description: Due to its size and high flow rate 57 series couplings are commonly used in compressed air distribution systems. Suitable for fluids as well.

Application: Widely used in various branches of industry.

Socket with male thread 	code	thread size	SW [mm]	L [mm]	D [mm]	L1 [mm]
	double shut-off					
	RE-57KBAW21BPN	1/2"	34	98	40	12
	RE-57KBAW26BPN	3/4"	34	100	40	16
	RE-57KBAW33BPN	1"	41	100	40	19

Socket with female thread 	code	thread size	SW [mm]	L [mm]	D [mm]	L1 [mm]
	double shut-off					
	RE-57KBIW21BPN	1/2"	34	100	40	19
	RE-57KBIW26BPN	3/4"	34	100	40	16
	RE-57KBIW33BPN	1"	41	101	40	20

Socket with hose tail 	code	hose I.D. [mm]	SW [mm]	L [mm]	D [mm]	L1 [mm]
	double shut-off					
	RE-57KBTF16BPN	16	34	122	40	36
	RE-57KBTF19BPN	19	34	122	40	36