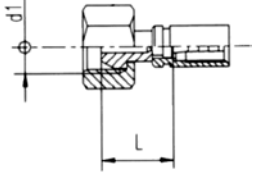
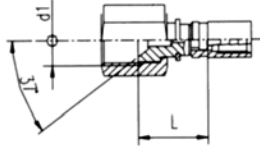
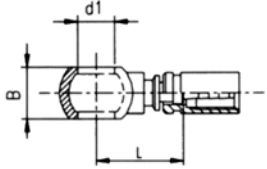



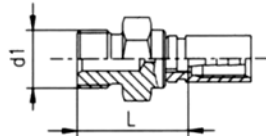
# MEASURING SYSTEMS - hose fittings

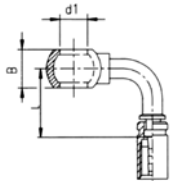
DKL female thread			
			
<b>801.60</b> <b>804.60</b>			
press. [bar]	code	L [mm]	thread size d1
400	PS-801-60-202-00	14	1/8" BSP
630	PS-801-60-204-00	18	1/4" BSP
	PS-801-60-141-00	18	M14x1.5
500	PS-804-60-204-00	18	1/4" BSP

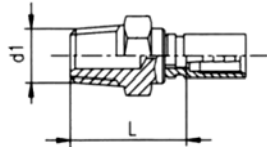
JIC female thread			
			
<b>801.60</b> <b>804.60</b>			
press. [bar]	code	L [mm]	thread size d1
450	PS-801-60-404-00	15	7/16"-20 UNF
420	PS-801-60-405-00	17	1/2"-20 UNF
450	PS-804-60-404-00	15	7/16"-20 UNF

BANJO straight fitting				
				
<b>801-70</b> <b>804-70</b>				
press. [bar]	code	L [mm]	d1	B [mm]
200	PS-801-70-008-00	19	8 mm	8
	PS-801-70-010-00	21	10 mm	10
	PS-801-70-202-00	21	1/8"	10
	PS-804-70-008-00	19	8 mm	8
	PS-804-70-010-00	21	10 mm	10
	PS-804-70-202-00	21	1/8"	10

BSF female thread (JCB)			
			
<b>801.10</b>			
press. [bar]	code	L [mm]	thread size d1
420	PS-801-10-145-00	-	5/8" BSF

BSP male thread			
			
<b>801.80</b>			
press. [bar]	code	L [mm]	thread size d1
400	PS-801-80-202-00	19	1/8" BSP
	PS-801-80-204-00	24.5	1/4" BSP

BANJO (90° elbow) fitting				
				
<b>801.72</b>				
press. [bar]	code	L [mm]	d1	B [mm]
200	PS-801-72-008-00	25	8 mm	8
	PS-801-72-010-00	22	10 mm	10
	PS-801-72-202-00	22	1/8"	10

NPTF male thread			
			
<b>801.80</b> <b>804.80</b>			
press. [bar]	code	L [mm]	thread size d1
400	PS-801-80-302-00	21	1/8"-27 NPTF
	PS-804-80-302-00	21	1/8"-27 NPTF