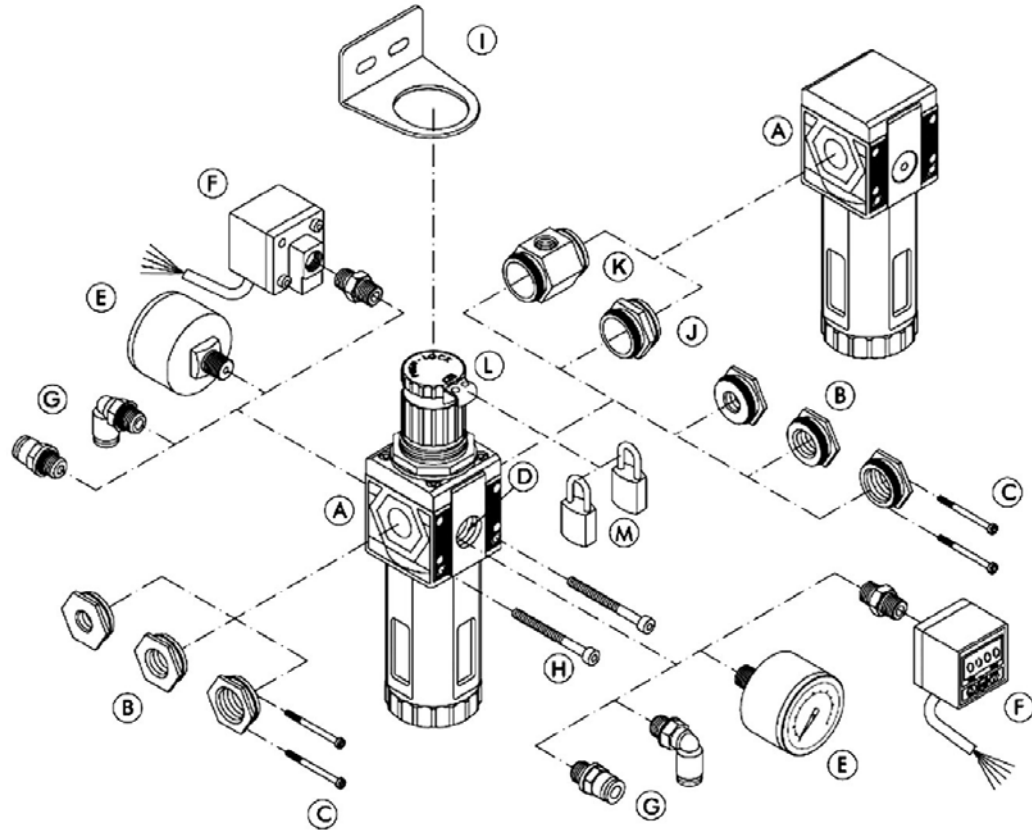


# INDUSTRIAL PNEUMATICS - air treatment units

## SYNTESI series

SYNTESI provides full modularity and flexibility that SKILLAIR series is known for. The application of threaded metal connections and assembly sets have eliminated such traditional parts as draw bolts and connecting clamps. Therefore the system has become more economical and simple.



Various elements of SYNTESI system can be combined with each other and with pneumatic system using hexagonal nickel brass bushes (B, J, K). The bushes are easy to remove by unscrewing the two front screws (C). At the front and back of every SYNTESI unit there are 1/8" additional connections for e.g. pressure gauges (E), pressure switches (F) or push-in connections (G). The connections enable independent intake of compressed air from any particular element of air preparation unit. The elements of SYNTESI system can be mounted directly to the wall using two M4 screws (H) or indirectly using a mounting bracket (I). A padlockable knob (L) for a manual control shut-off valve, regulating valve and for filter-regulator can be used with one or two padlocks (M) securing from an unintentional change of regulating valve settings or shut-off valve start.

**Table of SYNTESI system accessories**

description	SY 1			SY 2			
	1/8"	1/4"	3/8"	3/8"	1/2"	3/4"	1"
nickel brass bushes (B) *	MW-9210001	MW-9210002	MW-9210003	MW-9210011	MW-9210012	MW-9210013	MW-9210014
connection set (J,K) **	MW-9210000, MW-5610P100			MW-9210010, MW-5620P100			
steel bracket (I)	MW-9200701			MW-9400701			
padlock (M)				MW-9062401			
gauge adapter 1/4" - 1/8"				MW-9210005			

\* - with a connection (1 pc.) and 2 screws

\*\* - with a connector and 4 screws

X - AISI 304 steel version, code example: MW-9210001X, MW-5X20P100