

# INDUSTRIAL PNEUMATICS - air treatment units

## BIT series



### LUB lubricator

<b>Size:</b>	1/8", 1/4"
<b>Tank volume:</b>	26.5 cm <sup>3</sup>
<b>Inlet pressure:</b>	Up to 13 bar
<b>Working temp.:</b>	Up to +50°C
<b>Connection:</b>	1/8", 1/4" BSP female thread
<b>Flow rate:</b>	710 l/min - 1/8" 710 l/min - 1/4" (input pressure 6 bar and $\Delta p = 1$ bar)

Compressed air lubricator is designed to saturate working medium with oil. It protects against corrosion and reduces the wear of pneumatic system elements.

**LUB**

**BIT**

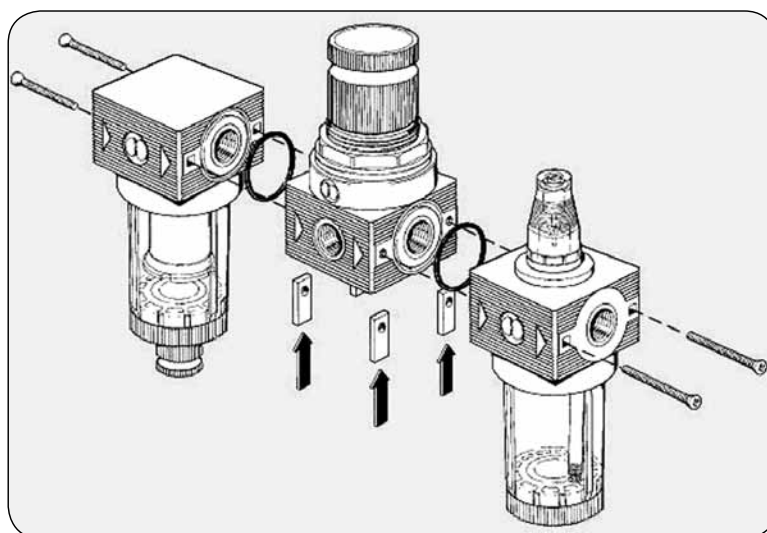
**1/4**

element	series	connection
LUB - lubricator	BIT	1/8 - 1/8" 1/4 - 1/4"

1/8"		1/4"	
code	type	code	type
MW-5103001	LUB BIT 1/8	MW-5203001	LUB BIT 1/4

Air preparation elements of BIT series can be combined into units according to customer specifications.

### BIT elements assembly



- Fit the mounting plates (MW-9170201 assembly set) in the slots under the body of BIT element.
- Check if there are O-rings between threaded connections.
- Check the compatibility of flow direction with the arrows on the body of elements, connect elements.

Also available: wall mounting brackets (MW-9200701; MW-9170301) and spare parts: filter and lubricator tanks, handwheel sets for regulating valves, removable filter inserts and many other.