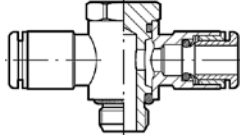
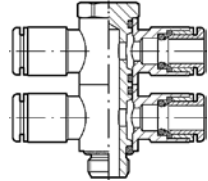
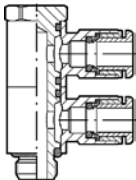


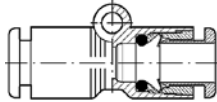
INDUSTRIAL PNEUMATICS - fittings

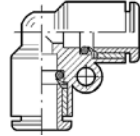
Push-in fittings - R series

BANJO fitting, brass		
		
R 55		
code	hose O.D. [mm]	thread size
MW-2L55001	4	M5
MW-2L55002	4	1/8"
MW-2L55007	6	M5
MW-2L55008	6	1/8"
MW-2L55009	6	1/4"
MW-2L55010	8	1/8"
MW-2L55011	8	1/4"
MW-2L55012	8	3/8"
MW-2L55013	10	1/4"
MW-2L55014	10	3/8"
MW-2L55018	12	1/4"
MW-2L55016	12	3/8"
MW-2L55017	12	1/2"

BANJO fitting, brass		
		
R 57		
code	hose O.D. [mm]	thread size
MW-2L57001	4	M5
MW-2L57002	4	1/8"
MW-2L57007	6	M5
MW-2L57008	6	1/8"
MW-2L57009	6	1/4"
MW-2L57010	8	1/8"
MW-2L57011	8	1/4"
MW-2L57012	8	3/8"
MW-2L57013	10	1/4"
MW-2L57014	10	3/8"
MW-2L57016	12	3/8"
MW-2L57017	12	1/2"

BANJO fitting, brass		
		
R 56		
code	hose O.D. [mm]	thread size
MW-2L56001	4	M5
MW-2L56002	4	1/8"
MW-2L56007	6	M5
MW-2L56008	6	1/8"
MW-2L56009	6	1/4"
MW-2L56010	8	1/8"
MW-2L56011	8	1/4"
MW-2L56012	8	3/8"
MW-2L56013	10	1/4"
MW-2L56014	10	3/8"
MW-2L56016	12	3/8"
MW-2L56017	12	1/2"

Straight adapter, technopolymer	
	
R 19	
code	hose O.D. [mm]
MW-2019001	4
MW-2019002	5
MW-2019003	6
MW-2019004	8
MW-2019005	10
MW-2019006	12

90° elbow adapter, technopolymer	
	
R 21	
code	hose O.D. [mm]
MW-2L21001	4
MW-2021002	5
MW-2L21003	6
MW-2L21004	8
MW-2021005	10
MW-2021006	12