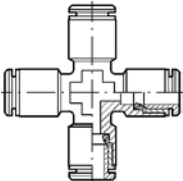
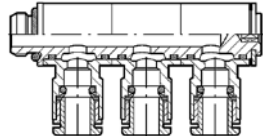
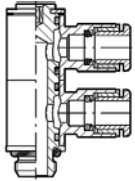


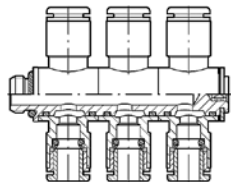
INDUSTRIAL PNEUMATICS - fittings

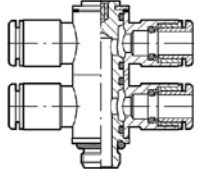
Push-in fittings - R series

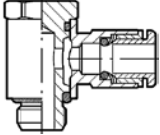
Cross adapter, brass	
	
R 40	
code	hose O.D. [mm]
MW-2L40001	4
MW-2L40003	6
MW-2L40004	8

Triple rotary union, brass		
		
R 52		
code	hose O.D. [mm]	thread size
MW-2L52002	4	1/8"
MW-2L52008	6	1/8"
MW-2L52009	6	1/4"
MW-2L52010	8	1/8"
MW-2L52011	8	1/4"
MW-2L52013	10	1/4"

Dual rotary union, brass		
		
R 50		
code	hose O.D. [mm]	thread size
MW-2L50001	4	M5
MW-2L50002	4	1/8"
MW-2L50007	6	M5
MW-2L50008	6	1/8"
MW-2L50009	6	1/4"
MW-2L50010	8	1/8"
MW-2L50011	8	1/4"
MW-2L50013	10	1/4"

Triple rotary union, brass		
		
R 53		
code	hose O.D. [mm]	thread size
MW-2L53002	4	1/8"
MW-2L53008	6	1/8"
MW-2L53009	6	1/4"
MW-2L53010	8	1/8"
MW-2L53011	8	1/4"
MW-2L53013	10	1/4"

Dual rotary union, brass		
		
R 51		
code	hose O.D. [mm]	thread size
MW-2L51001	4	M5
MW-2L51002	4	1/8"
MW-2L51007	6	M5
MW-2L51008	6	1/8"
MW-2L51009	6	1/4"
MW-2L51010	8	1/8"
MW-2L51011	8	1/4"
MW-2L51013	10	1/4"

BANJO fitting, brass		
		
R 54		
code	hose O.D. [mm]	thread size
MW-2L54001	4	M5
MW-2L54002	4	1/8"
MW-2L54007	6	M5
MW-2L54008	6	1/8"
MW-2L54009	6	1/4"
MW-2L54010	8	1/8"
MW-2L54011	8	1/4"
MW-2L54012	8	3/8"
MW-2L54013	10	1/4"
MW-2L54014	10	3/8"
MW-2L54018	12	1/4"
MW-2L54016	12	3/8"
MW-2L54017	12	1/2"