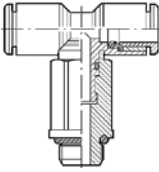
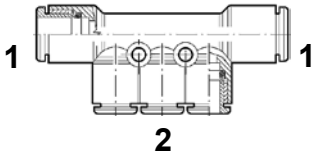
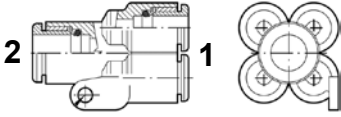


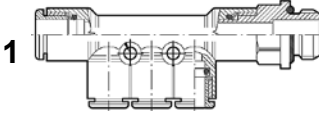
INDUSTRIAL PNEUMATICS - fittings

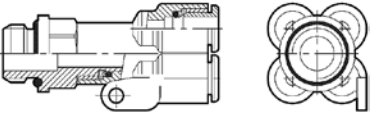
Push-in fittings - R series

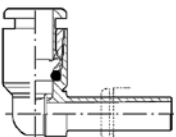
Extended rotary tee, male thread, technopolymer		
		
R 37		
code	hose O.D. [mm]	thread size
MW-2L37001	4	M5
MW-2L37020	4	M7
MW-2L37002	4	1/8"
MW-2L37006	6	M5
MW-2L37007	6	1/8"
MW-2L37008	6	1/4"
MW-2L37009	8	1/8"
MW-2L37010	8	1/4"
MW-2L37012	10	1/4"

Divider, technopolymer		
		
R 44		
code	hose O.D. 1 [mm]	hose O.D. 2 [mm]
MW-2L44001	6	4
MW-2L44003	8	6

Divider, technopolymer		
		
R 42		
code	hose O.D. 1 [mm]	hose O.D. 2 [mm]
MW-2L42001	4	4
MW-2L42002	4	6
MW-2L42004	6	6
MW-2L42005	6	8

Divider, male thread, technopolymer			
			
R 45			
code	hose O.D. 1 [mm]	hose O.D. 2 [mm]	thread size
MW-2L45001	6	4	1/8"
MW-2L45002	6	4	1/4"
MW-2L45007	8	6	1/8"
MW-2L45008	8	6	1/4"
MW-2L45009	8	6	3/8"

Divider, male thread, technopolymer		
		
R 43		
code	hose O.D. [mm]	thread size
MW-2L43001	4	M5
MW-2L43002	4	1/8"
MW-2L43003	4	1/4"
MW-2L43008	6	1/8"
MW-2L43009	6	1/4"

90° elbow with stem, technopolymer		
		
R 46		
code	stem O.D [mm]	hose O.D. [mm]
MW-2L46001	4	4
MW-2L46002	6	6
MW-2L46003	8	8
MW-2L46004	10	10