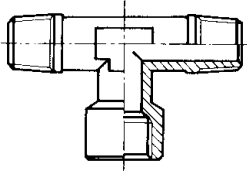
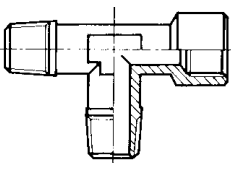
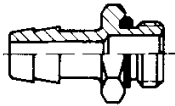


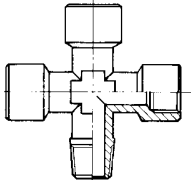
INDUSTRIAL PNEUMATICS - fittings

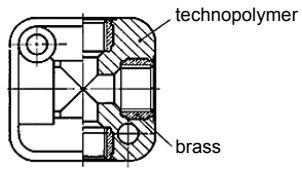
Threaded fittings - A series

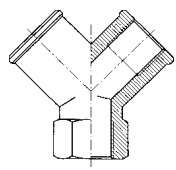
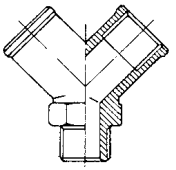
Tee adapter, male tapered / female thread		
		
A 17		
code	male thread size	female thread size
MW-2117001	1/4"	1/4"
MW-2117002	1/8"	1/8"
MW-2117003	3/8"	3/8"
MW-2117004	1/2"	1/2"

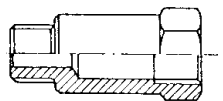
Tee adapter, male tapered / female thread		
		
A 18		
code	male thread size	female thread size
MW-2118000	1/8"	1/8"
MW-2118001	1/4"	1/4"
MW-2118002	3/8"	3/8"
MW-2118003	1/2"	1/2"

Hose fitting with male thread		
		
A 19		
code	fitting diameter [mm]	male thread size
MW-2119001	7	1/8"
MW-2119002	7	1/4"
MW-2119003	8	1/8"
MW-2119004	9	1/8"
MW-2119005	9	1/4"
MW-2119006	9	3/8"
MW-2119007	12	1/4"
MW-2119008	12	3/8"
MW-2119009	12	1/2"
MW-2119010	17	3/8"
MW-2119011	17	1/2"

Cross adapter, male tapered / female thread		
		
A 20		
code	male thread size	female thread size
MW-2120001	1/8"	1/8"
MW-2120002	1/4"	1/4"

Connection block 13 bar, 50°C		
		
A 21		
code	thread size.	H x L dimensions [mm]
MW-2121001	1/8"	17.5 x 31
MW-2121002	1/4"	24 x 40
MW-2121003	3/8"	28 x 50
MW-2121004	1/2"	35 x 50

Tee adapter	
	
A 23	A 24
code	thread size.
A 23	
MW-2123001	1/8"
MW-2123002	1/4"
MW-2123003	3/8"
MW-2123004	1/2"
A 24	
MW-2124001	1/8"
MW-2124002	1/4"
MW-2124003	3/8"
MW-2124004	1/2"

Adapter, male / female thread		
		
A 25		
code	thread size.	length [mm]
MW-2150003	1/8"	22
MW-2150004	1/8"	42
MW-2150005	1/8"	51
MW-2150006	1/4"	35
MW-2150007	1/4"	51