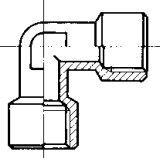
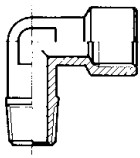
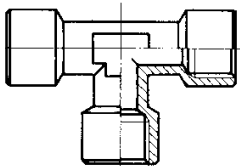


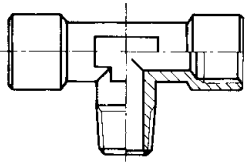
# INDUSTRIAL PNEUMATICS - fittings

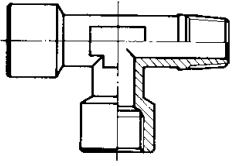
## Threaded fittings - A series

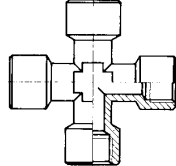
90° elbow, female thread	
	
<b>A 9</b>	
code	thread size
MW-2109001	1/8"
MW-2109002	1/4"
MW-2109003	3/8"
MW-2109004	1/2"

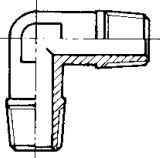
90° elbow, male tapered / female thread		
		
<b>A 10</b>		
code	male thread size	female thread size
MW-2110001	1/8"	1/8"
MW-2110002	1/4"	1/4"
MW-2110003	3/8"	3/8"
MW-2110004	1/2"	1/2"

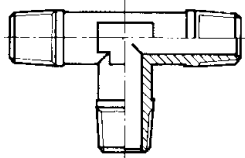
Tee adapter, female thread	
	
<b>A 11</b>	
code	thread size
MW-2111001	1/8"
MW-2111002	1/4"
MW-2111003	3/8"
MW-2111004	1/2"

Tee adapter, male tapered / female thread		
		
<b>A 12</b>		
code	male thread size	female thread size
MW-2112001	1/8"	1/8"
MW-2112002	1/4"	1/4"
MW-2112003	3/8"	3/8"
MW-2112004	1/2"	1/2"

Tee adapter, male tapered / female thread		
		
<b>A 13</b>		
code	male thread size	thread size
MW-2113001	1/8"	1/8"
MW-2113002	1/4"	1/4"
MW-2113003	3/8"	3/8"
MW-2113004	1/2"	1/2"

Cross adapter, female thread	
	
<b>A 14</b>	
code	thread size
MW-2114001	1/8"
MW-2114002	1/4"
MW-2114003	3/8"

90° elbow, male tapered thread	
	
<b>A 15</b>	
code	thread size
MW-2115001	1/8"
MW-2115002	1/4"
MW-2115003	3/8"
MW-2115004	1/2"

Tee adapter, male tapered thread	
	
<b>A 16</b>	
code	thread size
MW-2116001	1/8"
MW-2116002	1/4"
MW-2116003	3/8"
MW-2116004	1/2"