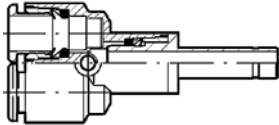


# INDUSTRIAL PNEUMATICS - fittings

## Push-in fittings - R series

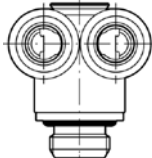
Y fitting, with stem fitting, technopolymer



**R 24**

code	stem O.D. [mm]	hose O.D. [mm]
MW-2024001	4	4
MW-2024003	6	6
MW-2L24004	8	8
MW-2L24005	10	10
MW-2L24006	12	12
MW-2L24301	6	4
MW-2L24303	8	6
MW-2L24306	10	8
MW-2L24309	12	10

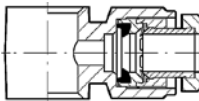
Parallel Y fitting with male thread, technopolymer



**R 25**

code	hose O.D. [mm]	thread size
MW-2L25001	4	M5
MW-2L25002	4	M7
MW-2L25003	4	1/8"
MW-2L25004	6	1/8"
MW-2L25005	6	1/4"
MW-2L25008	8	1/4"
MW-2L25009	8	3/8"

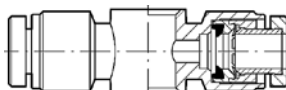
BANJO straight body fitting, technopolymer



**R 28**

code	hose O.D. [mm]	thread size
MW-2012102	4	1/8"
MW-2012104	5	1/8"
MW-2012106	6	1/8"
MW-2012107	6	1/4"
MW-2012108	8	1/8"
MW-2012109	8	1/4"
MW-2012110	8	3/8"
MW-2012111	10	1/4"
MW-2012112	10	3/8"
MW-2012113	12	1/4"
MW-2012114	12	3/8"
MW-2012115	12	1/2"

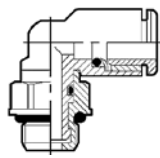
BANJO tee body, technopolymer



**R 29**

code	hose O.D. [mm]	thread size
MW-2013102	4	1/8"
MW-2013104	5	1/8"
MW-2013106	6	1/8"
MW-2013107	6	1/4"
MW-2013108	8	1/8"
MW-2013109	8	1/4"
MW-2013110	8	3/8"
MW-2013111	10	1/4"
MW-2013112	10	3/8"
MW-2013113	12	1/4"
MW-2013114	12	3/8"
MW-2013115	12	1/2"

Rotary 90° elbow, male thread, technopolymer



**R 34**

code	hose O.D. [mm]	thread size
MW-2L34001	4	M5
MW-2L34020	4	M7
MW-2L34002	4	1/8"
MW-2L34003	4	1/4"
MW-2L34006	6	M5
MW-2L34021	6	M7
MW-2L34007	6	1/8"
MW-2L34008	6	1/4"
MW-2L34009	8	1/8"
MW-2L34010	8	1/4"
MW-2L34011	8	3/8"
MW-2L34013	10	1/4"
MW-2L34014	10	3/8"
MW-2L34016	12	3/8"
MW-2L34017	12	1/2"