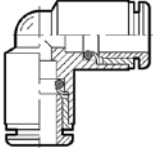
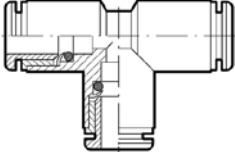



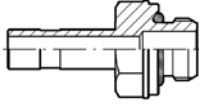
# INDUSTRIAL PNEUMATICS - fittings

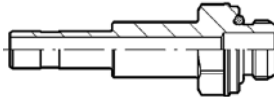
## Push-in fittings - R series

90° elbow adapter, brass	
	
<b>R 4</b>	
code	hose O.D. [mm]
MW-2004A02	3
MW-2004A01	3.17
MW-2L04001	4
MW-2004002	5
MW-2L04003	6
MW-2L04004	8
MW-2L04005	10
MW-2004006	12
MW-2004007	14

Tee adapter, brass	
	
<b>R 5</b>	
code	hose O.D. [mm]
MW-2005A02	3
MW-2005A01	3.17
MW-2L05001	4
MW-2005002	5
MW-2L05003	6
MW-2L05004	8
MW-2L05005	10
MW-2005006	12
MW-2005007	14

Straight stem fitting, brass	
	
<b>R 7</b>	
code	hose O.D. [mm]
MW-2007001	4
MW-2007002	5
MW-2007003	6
MW-2L07004	8
MW-2007005	10
MW-2007006	12
MW-2007007	14

Straight stem fitting, brass		
		
<b>R 6</b>		
code	hose O.D. [mm]	thread size
MW-2006A02	3	M5
MW-2006A01	3.17	M5
MW-2006001	4	M5
MW-2006020	4	M7
MW-2006002	4	1/8"
MW-2006003	4	1/4"
MW-2006004	5	M5
MW-2006005	5	1/8"
MW-2006006	5	1/4"
MW-2006000	6	M5
MW-2006021	6	M7
MW-2006007	6	1/8"
MW-2006008	6	1/4"
MW-2006009	8	1/8"
MW-2006010	8	1/4"
MW-2006011	8	3/8"
MW-2006012	10	1/4"
MW-2006013	10	3/8"
MW-2006022	10	1/2"
MW-2006019	12	1/4"
MW-2006014	12	3/8"
MW-2006015	12	1/2"
MW-2006016	14	3/8"
MW-2006017	14	1/2"
MW-2006101	6	M12x1.5
MW-2006102	8	M12x1.5

Straight stem fitting, brass		
		
<b>R 18</b>		
code	hose O.D. [mm]	thread size
MW-2018002	4	1/8"
MW-2018007	6	1/8"
MW-2018008	6	1/4"
MW-2018009	8	1/8"
MW-2018010	8	1/4"
MW-2018011	8	3/8"
MW-2018012	10	1/4"
MW-2018013	10	3/8"