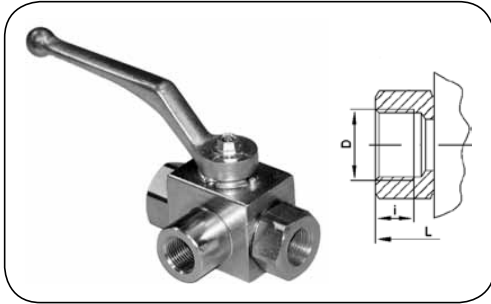


## HIGH PRESSURE - valves

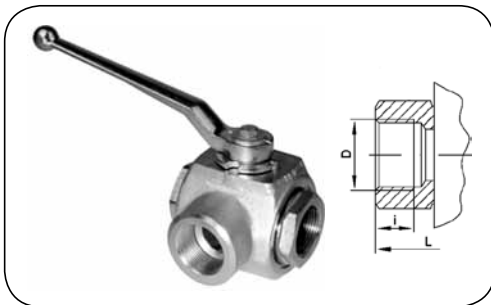


### Ball valve BK3L BSP/NPT

<b>Material:</b>	Body	- steel
	Ball	- steel
	Stem	- steel
<b>Seals:</b>	Ball	- POM
	Stem	- NBR
<b>Working temp.:</b>	POM	- (from -40°C up to +100°C)
	NBR	- (from -20°C up to +100°C)

3-way (L type) ball valve with BSP or NPT female thread, designed for high pressure hydraulic applications.

code	DN [mm]	thread size D [inch]	working pressure [bar]	length L [mm]	weight [kg]
HZ-BK3L-G-02	4	1/8 BSP	400	69	0.40
HZ-BK3L-G-04	6	1/4 BSP	400	69	0.40
HZ-BK3L-G-06	10	3/8 BSP	400	73	0.55
HZ-BK3L-G-08	13	1/2 BSP	350	85	0.70
HZ-BK3L-N-02	4	1/8 NPT	400	69	0.40
HZ-BK3L-N-04	6	1/4 NPT	400	69	0.40
HZ-BK3L-N-06	10	3/8 NPT	400	73	0.55
HZ-BK3L-N-08	13	1/2 NPT	350	92	0.70
HZ-BK3L-N-12	20	3/4 NPT	350	97	1.55
HZ-BK3L-N-16	25	1 NPT	350	113	2.10



### Ball valve SK3L BSP/NPT

<b>Material:</b>	Body	- steel
	Ball	- steel
	Stem	- steel
<b>Seals:</b>	Ball	- POM
	Stem	- NBR
<b>Working temp.:</b>	POM	- (from -40°C up to +100°C)
	NBR	- (from -20°C up to +100°C)

3-way (L type) ball valve with BSP or NPT female thread, designed for high pressure hydraulic applications.

code	DN [mm]	thread size D [inch]	working pressure [bar]	length L [mm]	weight [kg]
HZ-SK3L-G-12	20	3/4 BSP	350	96	1.55
HZ-SK3L-G-16	25	1 BSP	350	113	2.10
HZ-SK3L-G-20	32	1.1/4 BSP	350	110	3.40
HZ-SK3L-G-24	40	1.1/2 BSP	350	120	4.20
HZ-SK3L-G-32	50	2 BSP	350	140	6.10
HZ-SK3L-N-20	32	1.1/4 NPT	350	115	3.40
HZ-SK3L-N-24	40	1.1/2 NPT	350	135	4.20
HZ-SK3L-N-32	50	2 NPT	350	140	6.20