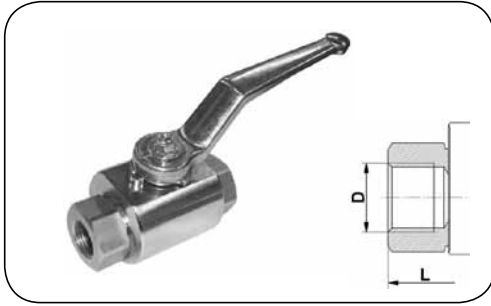


HIGH PRESSURE - valves

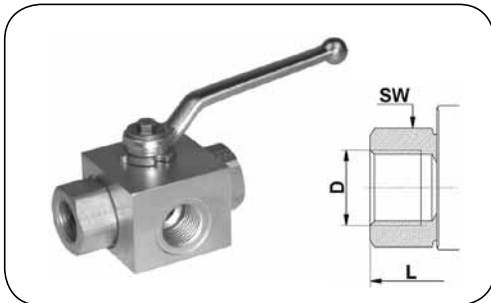


Ball valve RKH

Material:	Body	- AISI 316Ti
	Ball	- AISI 316Ti
	Stem	- AISI 316Ti
Seal:	Kula	- POM or PTFE
	Stem	- FKM
Working temp.:	POM	(from -40°C up to +100°C)
	PTFE	(from -200°C up to +250°C)
	FKM	(from -20°C up to +200°C)

2-way ball valve with BSP female thread, intended for high pressure hydraulic and industrial installations (chemicals, petrochemical products, solvents and paints, marine installations, water, gases). In order to match the valve to the media other than hydraulic oil or higher working temperatures appropriately, please contact Technical or Sales Department of TUBES INTERNATIONAL®.

code (POM/FKM)	code (PTFE/FKM)	DN [mm]	thread size D [inch]	working press. [bar] (POM/FKM)	working press. [bar] (PTFE/FKM)	length L [mm]	weight [kg]
HZ-RKH-G-02	HZ-RKH-G-02-T-V	4	1/8	400	100	69	0.35
HZ-RKH-G-04	HZ-RKH-G-04-T-V	6	1/4	400	100	69	0.35
HZ-RKH-G-06	HZ-RKH-G-06-T-V	10	3/8	400	100	73	0.50
HZ-RKH-G-08	HZ-RKH-G-08-T-V	13	1/2	400	100	85	0.65
HZ-RKH-G-12	HZ-RKH-G-12-T-V	20	3/4	350	100	96	1.50
HZ-RKH-G-16	HZ-RKH-G-16-T-V	25	1	350	100	113	2.00
HZ-RKH-G-20	HZ-RKH-G-20-T-V	32	1.1/4	400	63	110	3.80
HZ-RKH-G-24	HZ-RKH-G-24-T-V	40	1.1/2	400	63	120	6.10
HZ-RKH-G-32	HZ-RKH-G-32-T-V	50	2	400	63	140	9.10



Ball valve RK3L

Material:	Body	- AISI 316Ti
	Ball	- AISI 316Ti
	Stem	- AISI 316Ti
Seal:	Ball	- POM or PTFE
	Stem	- FKM
Working temp.:	POM	(from -40°C up to +100°C)
	PTFE	(from -200°C up to +250°C)
	FKM	(from -20°C up to +200°C)

3-way ball valve, type L, with BSP female thread, intended for high pressure hydraulic and industrial installations (chemicals, petrochemical products, solvents and paints, marine installations, water, gases). In order to match the valve to the media other than hydraulic oil or higher working temperatures appropriately, please contact Technical or Sales Department of TUBES INTERNATIONAL®.

code (POM/FKM)	code (PTFE/FKM)	DN [mm]	thread size D [inch]	working press. [bar] (POM/FKM)	working press. [bar] (PTFE/FKM)	length L [mm]	spanner [mm]
HZ-RK3L-G-02	HZ-RK3L-G-02-T-V	4	1/8	400	100	69	22
HZ-RK3L-G-04	HZ-RK3L-G-04-T-V	6	1/4	400	100	69	22
HZ-RK3L-G-06	HZ-RK3L-G-06-T-V	10	3/8	400	100	73	27
HZ-RK3L-G-08	HZ-RK3L-G-08-T-V	13	1/2	400	100	85	30
HZ-RK3L-G-12	HZ-RK3L-G-12-T-V	20	3/4	320	100	96	41
HZ-RK3L-G-16	HZ-RK3L-G-16-T-V	25	1	350	100	113	46
HZ-RK3L-G-20	HZ-RK3L-G-20-T-V	32	1.1/4	350	63	110	60
HZ-RK3L-G-24	HZ-RK3L-G-24-T-V	40	1.1/2	250	63	120	70
HZ-RK3L-G-32	HZ-RK3L-G-32-T-V	50	2	250	63	140	85