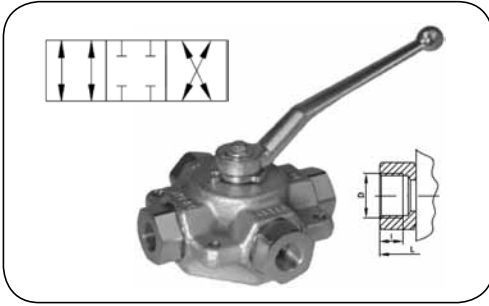


HIGH PRESSURE - valves

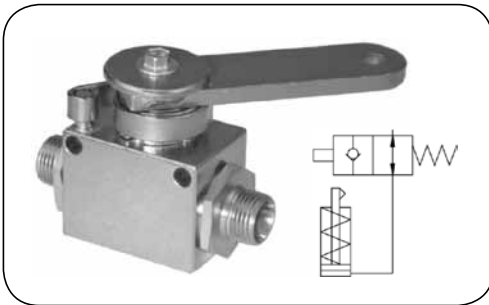


Ball valve MKHX BSP

Material:	Body	- steel
	Ball	- steel
	Stem	- steel
Seals:	Ball	- POM
	Stem	- NBR
Working temp.:	POM	- (from -40°C up to +100°C)
	NBR	- (from -20°C up to +100°C)

4-way (X Type) ball valve with BSP female thread, designed for high pressure hydraulic applications.

code	DN [mm]	thread size D [inch]	thread length i [mm]	valve length L [mm]	working pressure [bar]	weight [kg]
HZ-MKHX-06-G-02	4	1/8	8	100	500	2.10
HZ-MKHX-06-G-04	6	1/4	12	100	500	2.10
HZ-MKHX-06-G-06	10	3/8	12	115	500	2.90
HZ-MKHX-06-G-08	13	1/2	14	135	400	4.50
HZ-MKHX-06-G-12	20	3/4	16	148	400	7.20
HZ-MKHX-06-G-16	25	1	18	172	350	9.70



Ball valve HBKH

Material:	Body	- steel
	Ball	- steel
	Stem	- steel
Seals:	Ball	- POM
	Stem	- NBR
Working temp.:	POM	- (from -40°C up to +100°C)
	NBR	- (from -20°C up to +100°C)

Special 2-way ball valve with male metric thread. Used in hydraulic systems as a stroke limitation on hydraulic actuators.

code	DN [mm]	thread size [mm]	distance between assembly holes [mm]	assembly holes diameter [mm]	working pressure [bar]
HZ-HBKH-12L-B	13	M18x1.5	37.5	6.5	350
HZ-HBKH-15L-B	13	M22x1.5	37.5	6.5	350