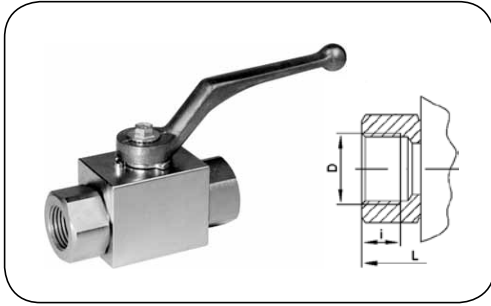


HIGH PRESSURE - valves

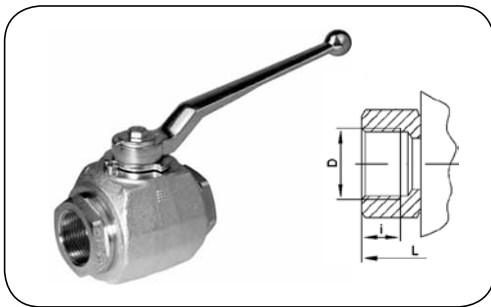


Ball valve BKH BSP/NPT

Material:	Body	- steel
	Ball	- steel
	Stem	- steel
Seals:	Ball	- PA or PTFE
	Stem	- NBR or FKM
Working temp.:	PA	- (from -40°C up to +100°C)
	PTFE	- (from -200°C up to +250°C)
	NBR	- (from -20°C up to +100°C)
	FKM	- (from -20°C up to +200°C)

2-way ball valve with BSP or NPT female thread designed for high pressure hydraulic or industrial applications. For proper choice of a valve for fluids other than hydraulic oil or for high working temperatures, please contact TUBES INTERNATIONAL® Sales or Technical Department.

code (PA/NBR seal)	code (PTFE/FKM seal)	DN [mm]	thread size D [inch]	work. press. (PA/NBR) [bar]	work. press. (PTFE/FKM) [bar]	valve length L [mm]	weight [kg]
HZ-BKH-G-02	HZ-BKH-G-02-T-V	4	1/8 BSP	500	100	69	0.35
HZ-BKH-G-04	HZ-BKH-G-04-T-V	6	1/4 BSP	500	100	69	0.35
HZ-BKH-G-06	HZ-BKH-G-06-T-V	10	3/8 BSP	500	100	73	0.50
HZ-BKH-G-08	HZ-BKH-G-08-T-V	13	1/2 BSP	500	100	85	0.65
HZ-BKH-G-12	HZ-BKH-G-12-T-V	20	3/4 BSP	400	100	96	1.50
HZ-BKH-G-16	HZ-BKH-G-16-T-V	25	1 BSP	350	100	113	2.00
HZ-BKH-N-02	-	4	1/8 NPT	500	-	69	0.35
HZ-BKH-N-04	-	6	1/4 NPT	500	-	69	0.35
HZ-BKH-N-06	-	10	3/8 NPT	500	-	73	0.50
HZ-BKH-N-08	-	13	1/2 NPT	500	-	92	0.65
HZ-BKH-N-12	-	20	3/4 NPT	400	-	97	1.50
HZ-BKH-N-16	-	25	1 NPT	350	-	113	2.00



Ball valve SKH BSP

Material:	Body	- steel
	Ball	- steel
	Stem	- steel
Seals:	Ball	- POM or PTFE
	Stem	- NBR or FKM
Working temp.:	POM	- (from -40°C up to +100°C)
	PTFE	- (from -200°C up to +250°C)
	NBR	- (from -20°C up to +100°C)
	FKM	- (from -20°C up to +200°C)

2-way ball valve with BSP female thread designed for high pressure hydraulic or industrial applications. For proper choice of a valve for fluids other than hydraulic oil or for high working temperatures, please contact TUBES INTERNATIONAL® Sales or Technical Department.

code (POM/NBR seal)	code (PTFE/FKM seal)	DN [mm]	thread size D [inch]	work. press. (POM/NBR) [bar]	work. press. (PTFE/FKM) [bar]	valve length L [mm]	weight [kg]
HZ-SKH-G-20	HZ-SKH-G-20-T-V	32	1.1/4 BSP	400	63	110	3.20
HZ-SKH-G-24	HZ-SKH-G-24-T-V	40	1.1/2 BSP	400	63	120	4.00
HZ-SKH-G-32	HZ-SKH-G-32-T-V	50	2 BSP	400	63	140	5.90