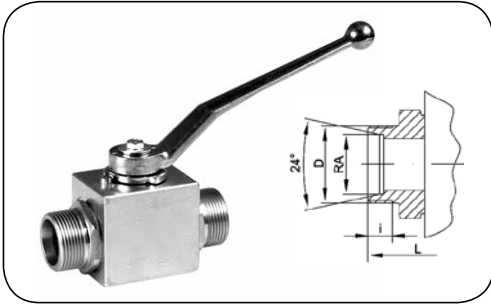


# HIGH PRESSURE - valves

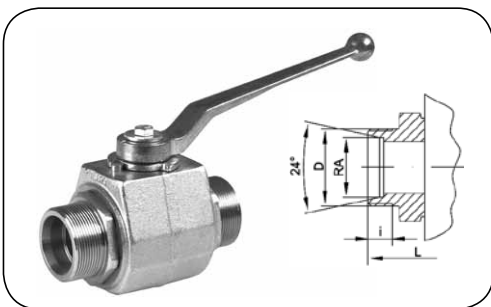


## Ball valve BKH L/S

<b>Material:</b>	Body	- steel
	Ball	- steel
	Stem	- steel
<b>Seals:</b>	Ball	- PA
	Stem	- NBR
	<b>Working temp.:</b>	PA - (from -40°C up to +100°C)
	NBR	- (from -20°C up to +100°C)

2-way ball valve with metric male thread, designed for high pressure hydraulic applications.

code	DN [mm]	thread size D [mm]	pipe diam. RA [mm]	working pressure [bar]	valve length L [mm]	weight [kg]
HZ-BKH-06L	4	M12x1.5	6	500	67	0.30
HZ-BKH-08L	6	M14x1.5	8	500	67	0.30
HZ-BKH-10L	8	M16x1.5	10	500	71	0.30
HZ-BKH-12L	10	M18x1.5	12	500	75	0.50
HZ-BKH-15L	13	M22x1.5	15	500	84	0.60
HZ-BKH-18L	13	M26x1.5	18	500	84	0.60
HZ-BKH-22L	20	M30x2	22	400	102	1.50
HZ-BKH-28L	25	M36x2	28	350	108	2.00
HZ-BKH-08S	4	M16x1.5	8	500	73	0.35
HZ-BKH-10S	6	M18x1.5	10	500	73	0.35
HZ-BKH-12S	8	M20x1.5	12	500	77	0.35
HZ-BKH-14S	10	M22x1.5	14	500	84	0.50
HZ-BKH-16S	13	M24x1.5	16	500	87	0.60
HZ-BKH-20S	13	M30x2	20	500	91	0.65
HZ-BKH-25S	20	M36x2	25	400	110	1.50
HZ-BKH-30S	25	M42x2	30	350	120	2.10



## Ball valve SKH L/S

<b>Material:</b>	Body	- steel
	Ball	- steel
	Stem	- steel
<b>Seals:</b>	Ball	- POM
	Stem	- NBR
	<b>Working temp.:</b>	POM - (from -40°C up to +100°C)
	NBR	- (from -20°C up to +100°C)

2-way ball valve with metric male thread, designed for high pressure hydraulic applications.

code	DN [mm]	thread size D [mm]	pipe diam. RA [mm]	working pressure [bar]	valve length L [mm]	weight [kg]
HZ-SKH-35L	32	M45x2	35	400	128	3.00
HZ-SKH-42L	40	M52x2	42	400	133	3.80
HZ-SKH-38S	32	M52x2	38	400	140	3.10