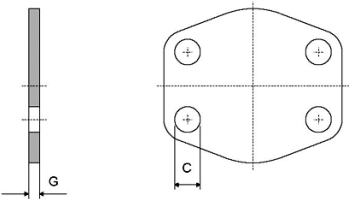
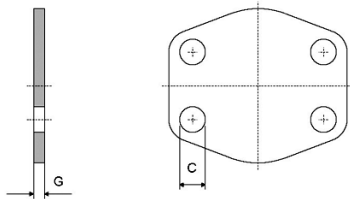
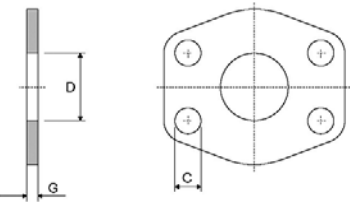


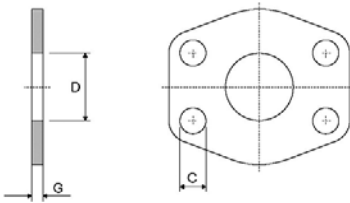
HIGH PRESSURE - adapters

SAE flange connectors

SAE 3000 cover plate			
			
code	flange dimension [inch]	thickness G [mm]	bolt hole diam. C [mm]
HK-G3-08	1/2	3	9
HK-G3-12	3/4		11
HK-G3-16	1		11.5
HK-G3-20	1.1/4		13.5
HK-G3-24	1.1/2		
HK-G3-32	2		
HK-G3-40	2.1/2		
HK-G3-48	3	4	17
HK-G3-56	3.1/2		
HK-G3-64	4		
HK-G3-80	5		

SAE 6000 cover plate			
			
code	flange dimension [inch]	thickness G [mm]	bolt hole diam. C [mm]
HK-G6-08	1/2	4	9
HK-G6-12	3/4		11
HK-G6-16	1		13
HK-G6-20	1.1/4		15
HK-G6-24	1.1/2		17
HK-G6-32	2		21
HK-G6-40	2.1/2		25
HK-G6-48	3		32

SAE 3000 flange connector plate				
				
code	flange dimension [inch]	opening diam. D [mm]	thickness G [mm]	bolt hole diam. C [mm]
HK-H3-08	1/2	13	3	9
HK-H3-12	3/4	19		11
HK-H3-16	1	25		11.5
HK-H3-20	1.1/4	32		13.5
HK-H3-24	1.1/2	38		
HK-H3-32	2	51		
HK-H3-40	2.1/2	63		
HK-H3-48	3	73	4	17
HK-H3-56	3.1/2	89		
HK-H3-64	4	99		
HK-H3-80	5	120		

SAE 6000 flange connector plate				
				
code	flange dimension [inch]	opening diam. D [mm]	thickness G [mm]	bolt hole diam. C [mm]
HK-H6-08	1/2	13	4	9
HK-H6-12	3/4	17		11
HK-H6-16	1	24		13
HK-H6-20	1.1/4	31		15
HK-H6-24	1.1/2	38		17
HK-H6-32	2	51		21
HK-H6-40	2.1/2	63		25
HK-H6-48	3	73		32