

# INDUSTRIAL FITTINGS - couplings

## Symmetrical couplings GUILLEMIN

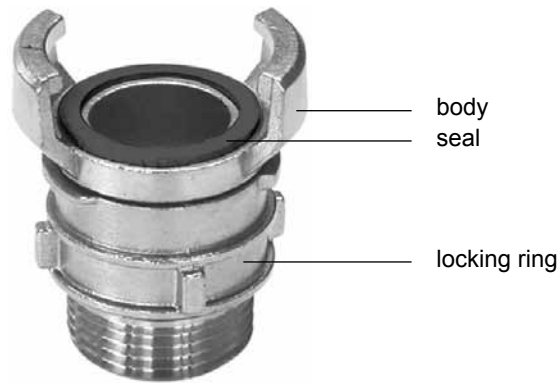
GUILLEMIN couplings are designed for transfer installations and reloading of liquid, loose and granulated products. Not suitable for steam or gas transfer. The coupling parts are symmetrical - both halves are identical. Manufactured according to EN 14420-8 / NF-E-29572 standard.

Maximum working pressure: 16 bar

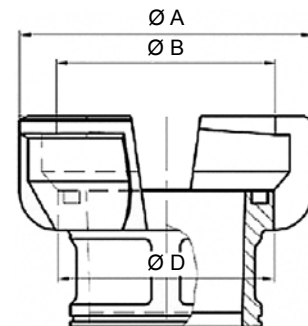
Material versions:

- aluminium (seal: white NBR rubber), working temperature: from -10°C up to +80°C
- AISI 316 (seal: black FKM rubber - Viton), working temperature: from -10°C up to +180°C

GUILLEMIN coupling - construction and dimensions:



DN [mm]	Ø A [mm]	Ø B [mm]	Ø D [mm]
20	47	32	31
25	54	37	37
32	58	42.5	41.5
40	75	55	54
50	92	69	68
65	108	84	83
80	131	103	101
100	151	123	121
150	236	193	190



Coupling with hose tail	code	DN [mm]	hose I.D. [mm]	material
		GU-W-051-A	50	51
GU-W-063-A		65	63	
GU-W-076-A		80	76	
GU-W-081-A		80	81	
GU-W-102-A		100	102	AISI 316
GU-W-051-SS		50	51	
GU-W-063-SS		65	63	
GU-W-076-SS		80	76	
GU-W-102-SS	100	102		