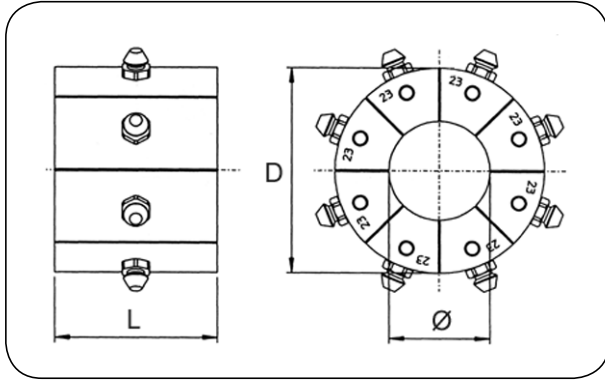


MACHINES AND ACCESSORIES - hose assembly production



Crimping dies for FINN-POWER machines

All FINN-POWER crimping machines are adapted to work with exchangeable die sets. These die sets are not supplied with machines as a standard - must be ordered separately according to customer requirements. A wide range of special die sets of virtually any dimension or shape but also marking dies for ferrules are available on request.

* - long dies, sample code: FP-20-16L.

16 type		
code	crimping diameter Ø [mm]	LxD [mm]
FP-16-10	10 ÷ 12	55x39
FP-16-12	12 ÷ 14	
FP-16-14	14 ÷ 16	
FP-16-16	16 ÷ 19	
FP-16-19	19 ÷ 23	
FP-16-23	23 ÷ 27	
FP-16-27	27 ÷ 31	65x39
FP-16-31	31 ÷ 38	

140 (140L) type			
code	crimping diam. Ø [mm]	LxD 140 type [mm]	LxD 140L type [mm]
FP-140-84*	84 ÷ 92	110x140	120x140
FP-140-92*	92 ÷ 100		
FP-140-100*	100 ÷ 108		
FP-140-108*	108 ÷ 116		
FP-140-116*	116 ÷ 124		

20 (20L) type			
code	crimping diam. Ø [mm]	LxD 20 type [mm]	LxD 20L type [mm]
FP-20-10	10 ÷ 12	55x84	-
FP-20-12	12 ÷ 14		
FP-20-14	14 ÷ 16		
FP-20-16*	16 ÷ 19		
FP-20-19*	19 ÷ 23		
FP-20-23*	23 ÷ 27		
FP-20-27*	27 ÷ 31	70x84	75x84
FP-20-31*	31 ÷ 36		
FP-20-36	36 ÷ 41	75x84	-
FP-20-41	41 ÷ 47		
FP-20-47	47 ÷ 54	85x84	-
FP-20-54	54 ÷ 61		

160 type		
code	crimping diameter Ø [mm]	LxD [mm]
FP-160-084	84 ÷ 92	116x220
FP-160-092	92 ÷ 100	
FP-160-100	100 ÷ 108	
FP-160-108	108 ÷ 116	
FP-160-116	116 ÷ 126	
FP-160-126	126 ÷ 136	
FP-160-136	136 ÷ 146	
FP-160-146	146 ÷ 156	
FP-160-156	156 ÷ 166	
FP-160-166	166 ÷ 178	
FP-160-178	178 ÷ 190	
FP-160-190	190 ÷ 202	

32 (32L) type			
code	crimping diam. Ø [mm]	LxD 32 type [mm]	LxD 32L type [mm]
FP-32-10	10 ÷ 12	55x99	-
FP-32-12	12 ÷ 14		
FP-32-14	14 ÷ 16		
FP-32-16	16 ÷ 19		
FP-32-19	19 ÷ 22		
FP-32-22	22 ÷ 26		
FP-32-26	26 ÷ 30	70x99	-
FP-32-30	30 ÷ 34		
FP-32-34	34 ÷ 39	75x99	-
FP-32-39	39 ÷ 45		
FP-32-45	45 ÷ 51	90x99	-
FP-32-51	51 ÷ 57		
FP-32-57	57 ÷ 63	100x99	-
FP-32-63*	63 ÷ 69		
FP-32-69*	69 ÷ 75	110x99	120x99
FP-32-74*	74 ÷ 80		
FP-32-78*	78 ÷ 87		

170 type		
code	crimping diameter Ø [mm]	LxD [mm]
FP-170-205	205 ÷ 220	220x220
FP-170-220	220 ÷ 235	
FP-170-235	235 ÷ 250	
FP-170-250	250 ÷ 270	
FP-170-270	270 ÷ 290	
FP-170-290	290 ÷ 320	

Selection table of dies for crimping machine

crimping machine type	dies type									
	16	20	20L	32	32L	140	140L	160	170	
P16	X									
P20, P21		X								
CC22, CC24		X								
P32				X						
P51, P60				X		X				
FP20		X	X							
FP120				X						
FP140				X		X				
FP145				X	X	X	X			
FP160, FP165				X	X			X		
FP170, FP175				X	X			X	X	