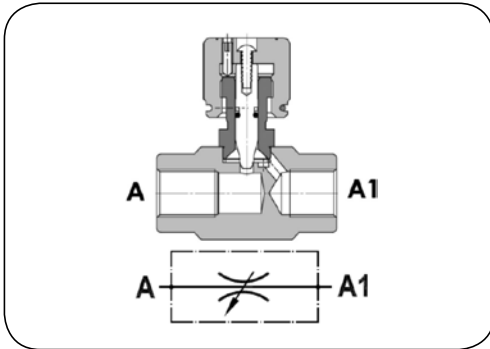


# HIGH PRESSURE - valves

## Throttle and safety valves



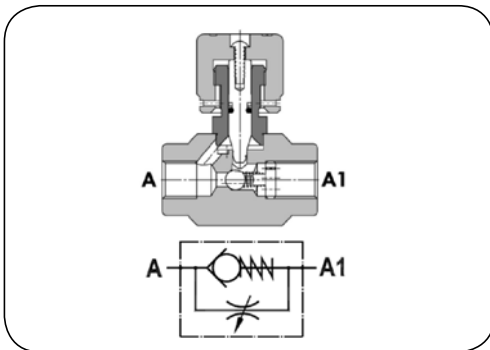
### Throttle valve FPSB

**Material:** Body - galvanized steel  
Knob - steel  
**Seal:** NBR  
**Working temp.:** From -20°C up to +90°C

Adjustable throttle valve, FPSB type, used in hydraulic systems to control a flow rate. The flow rate is controlled by a handwheel.

Allowable flow direction: A → A1, A1 → A.

code	thread size [inch]	working pressure [bar]	bursting pressure [bar]	flow rate [l/min]	weight [kg]
DC-FPSB-04	1/4	300	1200	12	0.30
DC-FPSB-06	3/8	300	1200	30	0.31
DC-FPSB-08	1/2	280	1120	45	0.31



### Throttle check valve FPSU

**Material:** Body - galvanized steel  
Spring - steel  
Ball - steel  
Knob - steel  
**Seal:** NBR  
**Working temp.:** From -20°C up to +90°C

Throttle check valve, FPSU type, used in hydraulic systems to open free flow in one direction. The flow, throttled in the opposite direction, is controlled by a rotary ring. Standard opening pressure: 0.5 bar.

Allowable flow direction: A → A1 (free), A1 → A (throttled).

code	thread size [inch]	working pressure [bar]	bursting pressure [bar]	flow rate [l/min]	weight [kg]
DC-FPSU-04	1/4	300	1200	12	0.31
DC-FPSU-06	3/8	300	1200	25	0.31
DC-FPSU-08	1/2	280	1120	40	0.31