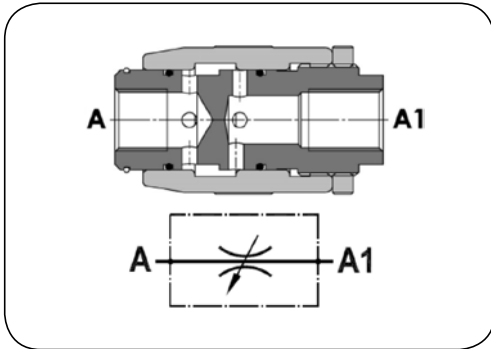


HIGH PRESSURE - valves

Throttle and safety valves



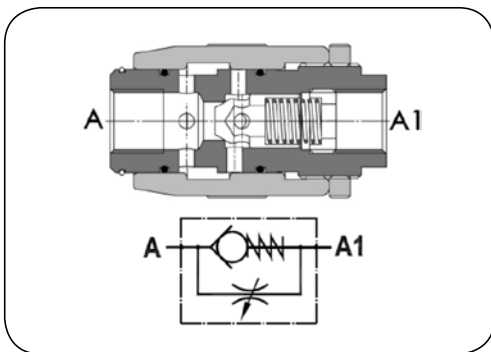
Throttle valve FPMB

Material: Body - galvanized steel
Seal: NBR
Working temp.: From -20°C up to +90°C

Adjustable throttle valve, FPMB type, used in hydraulic systems to control a flow rate. The flow rate is controlled by a rotary ring.

Allowable flow direction: A → A1, A1 → A.

code	thread size [inch]	working pressure [bar]	bursting pressure [bar]	flow rate [l/min]	weight [kg]
DC-FPMB-04	1/4	350	1400	12	0.28
DC-FPMB-06	3/8	350	1400	30	0.43
DC-FPMB-08	1/2	310	1240	45	0.63
DC-FPMB-12	3/4	280	1120	85	1.05
DC-FPMB-16	1	250	1000	150	1.96



Throttle check valve FPMU

Material: Body - galvanized steel
 Stem - hardened steel
Seal: NBR
Working temp.: From -20°C up to +90°C

Throttle check valves, FPMU type, used in hydraulic systems to open a free flow in one direction. The flow, throttled in the opposite direction, is controlled by a rotary ring. Standard opening pressure: 0.5 bar (2.5; 5 and 10 bar available). Allowable flow direction: A → A1 (free), A1 → A (throttled).

code	thread size [inch]	working pressure [bar]	bursting pressure [bar]	flow rate [l/min]	weight [kg]
DC-FPMU-04	1/4	350	1400	12	0.28
DC-FPMU-06	3/8	350	1400	30	0.43
DC-FPMU-08	1/2	310	1240	45	0.63
DC-FPMU-12	3/4	280	1120	85	1.05
DC-FPMU-16	1	250	1000	150	1.96