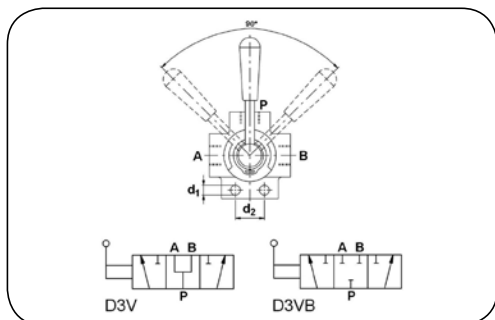


HIGH PRESSURE - valves

Hydraulic directional control valves

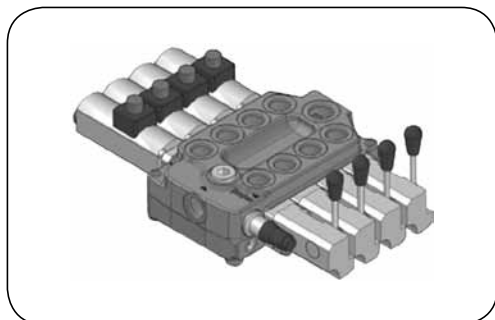


Hand switching valve D3V

Material: Body - iron casting
Stem - hardened steel
Seal: NBR
Working temp.: From -20°C up to +90°C

Hand switching 3-way valve used in hydraulic systems to control fluid flow direction. Controlled by manual lever.

code	thread size [inch]	working pressure [bar]	flow rate [l/min]	D1 [mm]	D2 [mm]
DC-D3V-04	1/4	300	30	8.5	24
DC-D3V-06	3/8	250	35	8.5	24
DC-D3V-08	1/2	250	60	10.5	32
DC-D3V-12	3/4	250	100	10.5	32
DC-D3V-16	1	250	180	11	32
DC-D3VB-04	1/4	300	30	8.5	24
DC-D3VB-06	3/8	250	35	8.5	24
DC-D3VB-08	1/2	250	60	10.5	32
DC-D3VB-12	3/4	250	100	10.5	32
DC-D3VB-16	1	250	180	11	32



Directional control valves SALAMI

6-way, spool, directional control valves designed for hydraulic installations of cranes, hoists but also other construction, agricultural and industrial machines. They are used to control the fluid flow direction. There are two versions of the valves: sectional or monoblock (cast iron housing). The flow rate depends on a type and ranges from 45 to 180 l/min at maximum working pressure 350 bar. A single directional control valve can have up to 8 working sections.

type	version	nominal flow [l/min]	max. working pressure [bar]	number of working sections
VDM6	monoblock	45	350	7
VDM6A	monoblock	45	350	7
VDM09	monoblock	75	280	6
VDM8	monoblock	75	350	5
VD6A	sectional	45	350	8
VD8A	sectional	75	350	8
VD10A	sectional	120	280	8
VD12A	sectional	180	280	8