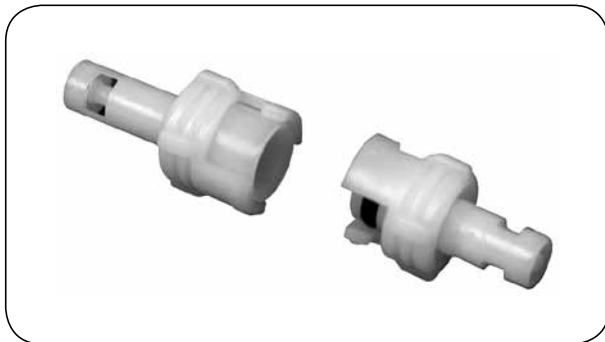


# INDUSTRIAL FITTINGS - quick release couplings

## CPC - plastic couplings

CPC quick release plastic couplings are designed for general industry, biopharmaceutical, medical, chemical, food and packaging application. A version with an automatic shut-off valve prevents leaks and thus increases safety of its operator. A wide choice of materials enables selection of the quick release coupling for almost any application. One hand operation with an audible click confirming secure connection. A variety of coupling versions allows attachment to threaded connection, in-line, hose systems, panel mounting, etc. A product line of CPC couplings makes a total of over 4000 items. They are available as individual male or female parts with different connections or as ready-to-use sets to be fit into a hose (so called „Line-In“).

It is recommended to use CPC quick release couplings with hoses listed in TYGON® HOSES section.



### SMC series DN 1.2

**Material:** Acetal (O-ring NBR)  
Polypropylene (O-ring EPDM)  
Polycarbonate (O-ring NBR)

**Working press.:** Up to 6.9 bar

**Working temp.:** From -40°C up to +82°C (acetal)  
From 0°C up to +82°C (polypropylene)  
From -40°C up to +121°C (polycarbonate)

Miniature couplings are designed for ink printing installations, blood, coolants, gas chromatography, etc. It is enough to twist two parts of the coupling against each other to connect them. In addition the coupling allows some rotation of the hose when connected. This feature prevents kinking and accidental disconnection. The couplings made of acetal are available in black colour as an option.

picture		description	code			
			acetal	polypropylene	polycarbonate	
	1	with 1/8" NPT male thread	CC-SMX-01-AC	CC-SMX-01-PP	-	
	2	socket	for 1/16" hose	CC-SMX-02-AC	CC-SMX-02-PP	CC-SMX-02-PC
			for 1/8" hose	CC-SMX-03-AC	CC-SMX-03-PP	CC-SMX-03-PC
			panel mount for 1/16" hose	CC-SMX-04-AC	CC-SMX-04-PP	-
	3		panel mount for 1/8" hose	CC-SMX-05-AC	CC-SMX-05-PP	-
			for 1/16" hose	CC-SMX-06-AC	CC-SMX-06-PP	CC-SMX-06-PC
	4	plug	for 1/8" hose	CC-SMX-07-AC	CC-SMX-07-PP	CC-SMX-07-PC
			panel mount for 1/16" hose	CC-SMX-08-AC	CC-SMX-08-PP	-
	5		panel mount for 1/8" hose	CC-SMX-09-AC	CC-SMX-09-PP	-
			in-line set 1/16"	CC-SMX-10-AC	CC-SMX-10-PP	CC-SMX-10-PC
	6		in-line set 1/8"	CC-SMX-11-AC	CC-SMX-11-PP	CC-SMX-11-PC

**NOTE!**

The codes given above apply to versions without valves. Couplings made of acetal only available with the valves. A code example of the version with the valve e.g. CC-PMV-10-AC.