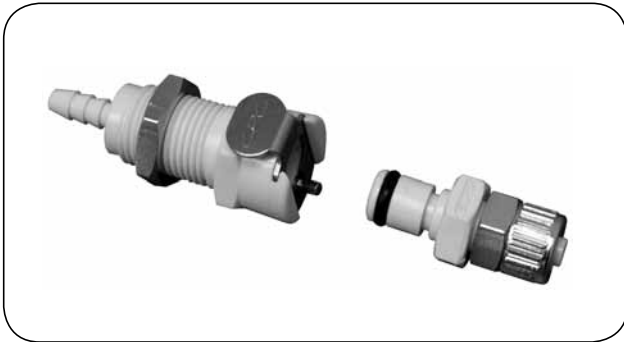


INDUSTRIAL FITTINGS - quick release couplings

CPC - plastic couplings



PMC series DN 3.2

Material: Acetal (O-ring NBR)
Polypropylene (O-ring EPDM)
Working press.: Up to 8.3 bar
Working temp.: From -40°C up to +82°C (acetal)
From 0°C up to +71°C (polypropylene)

Small quick release couplings designed for gas detection, medical devices, chemical analysers, ink printing, components of optical equipment, etc. Their specific design (there are no locking balls or ferrules) allows easier and firmer one hand connection and disconnection. An audible click confirms secure connection. Also available with BSPT male thread.

picture		description	code		
			acetal	polypropylene	
	1	with 1/8" NPT male thread	CC-PMV-01-AC	CC-PMV-01-PP	
		with 1/4" NPT male thread	CC-PMV-02-AC	CC-PMV-02-PP *	
	2	panel mount for 4x2 hose + nut	CC-PMV-03-AC	-	
		panel mount for 4x2.5 hose + nut	CC-PMV-04-AC	-	
		panel mount for 6.3x4.3 hose + nut	CC-PMV-05-AC	CC-PMV-05-PP	
	3		panel mount for 1/16" hose	CC-PMV-06-AC	CC-PMV-06-PP
			panel mount for 1/8" hose	CC-PMV-07-AC	CC-PMV-07-PP
			panel mount for 3/16" hose	CC-PMV-08-AC	-
			panel mount for 1/4" hose	CC-PMV-09-AC	CC-PMV-09-PP
	4	panel mount with 10-32 UNF female thread	CC-PMV-10-AC	-	
	5		hose tail for 4x2 hose (+ nut)	CC-PMV-11-AC	-
			hose tail for 4x2.5 hose (+ nut)	CC-PMV-12-AC	-
	6		hose tail for 6.3x4.3 hose (+ nut)	CC-PMV-14-AC	CC-PMV-14-PP
			for 1/16" hose tail	CC-PMV-15-AC	CC-PMV-15-PP
		for 1/8" hose tail	CC-PMV-16-AC	CC-PMV-16-PP	
		for 3/16" hose tail	CC-PMV-17-AC	-	
7	for 1/4" hose tail	CC-PMV-18-AC	CC-PMV-18-PP		
		with 10-32 UNF female thread	CC-PMV-19-AC	-	
	1	with 1/8" NPT male thread	CC-PMV-20-AC	CC-PMV-20-PP	
	2	with 1/4" NPT male thread	CC-PMV-21-AC	-	
	3		panel mount for 6.3x4.3 hose + nut	CC-PMV-22-AC	-
			panel mount for 1/16" hose	CC-PMV-23-AC	-
			panel mount for 1/8" hose	CC-PMV-24-AC	-
			panel mount for 3/16" hose	CC-PMV-25-AC	-
	4		panel mount 1/4" hose	CC-PMV-26-AC	-
			hose tail for 4x2 hose (+ nut)	CC-PMV-27-AC	-
			hose tail for 4x2.5 hose (+ nut)	CC-PMV-28-AC	-
			hose tail for 6.3x4.3 hose (+ nut)	CC-PMV-29-AC	CC-PMV-29-PP
	5		hose tail for 9.5x6.3 hose (+ nut)	CC-PMV-30-AC	-
			for 1/16" hose	CC-PMV-31-AC	CC-PMV-31-PP
			for 1/8" hose	CC-PMV-32-AC	CC-PMV-32-PP
		for 3/16" hose	CC-PMV-33-AC	-	
6		for 1/4" hose	CC-PMV-34-AC	CC-PMV-34-PP	
		with 10-32 UNF female thread	CC-PMV-35-AC	-	
7		90° elbow for 4x2.5 hose (+ nut)	- **	-	
		90° elbow for 6.3x4.3 hose (+ nut)	CC-PMV-37-AC	CC-PMV-37-PP *	
		90° elbow for 1/8" hose	CC-PMV-38-AC	CC-PMV-38-PP	
		90° elbow for 1/4" hose	CC-PMV-39-AC	CC-PMV-39-PP	

NOTE!

The codes given above apply to versions with valves.

A code example of the version without the valve e.g.: CC-PMX-10-AC * - always valved
** - always non-valved