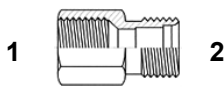
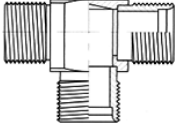
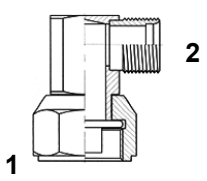
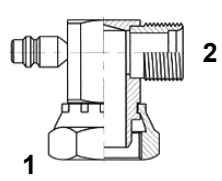
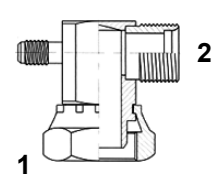
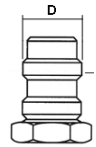



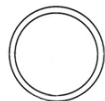


INDUSTRIAL HOSES - air-conditioning

Fittings for air-conditioning rubber hoses

Female UNF SAE 45° / UNF male			Tee 3 x UNF male	
 7050			 8048	
code	hose I.D. 1 [inch]	hose I.D. 2 [inch]	code	thread [inch]
BU-7050-06-06-S	5/8-18	5/8-18	BU-8048-06-06-S	5/8-18
BU-7050-08-08-S	3/4-16	3/4-16	BU-8048-08-08-S	3/4-16
BU-7050-08-10-S	3/4-16	7/8-14	BU-8048-10-10-S	7/8-14
BU-7050-10-10-S	7/8-14	7/8-14	BU-8048-12-12-S	1.1/16-14

Adapter 90° UNF female / UNF male			90° UNF female/ UNF male with R134 valve			90° UNF female/ UNF male with R12 valve		
 7065			 7066			 7067		
code	hose I.D. 1 [inch]	hose I.D. 2 [inch]	code	hose I.D. 1 [inch]	hose I.D. 2 [inch]	code	hose I.D. 1 [inch]	hose I.D. 2 [inch]
BU-7065-06-06-S	-	-	-	-	-	-	-	-
BU-7065-08-08-S	3/4-16	3/4-16	-	-	-	-	-	-
-	-	-	BU-7066-10-06-S	1-14	5/8-18	-	-	-
-	-	-	BU-7066-10-08-S	1-14	3/4-16	BU-7067-10-08-S	1-14	3/4-16
BU-7065-10-10-S	7/8-14	7/8-14	BU-7066-10-10-S	1-14	7/8-14	BU-7067-10-10-S	1-14	7/8-14

Retrofit adapter R12/R134A - protection caps - R134A valve					O-ring R12/R134A											
 7034/35/36											 7039			 7028		
code	thread size [inch]	D [mm]	code	for adapter	code	O.D. [mm]	thickness [mm]									
BU-7034-S	3/8-24	16	BU-7037	BU-7034-7036	BU-7028-06	7.65	1.78									
BU-7035-S	7/16-20	13	BU-7038	BU-7035	BU-7028-08	10.82	1.78									
BU-7036-S	7/16-20	16	BU-7039	BU-7035	BU-7028-10	14	1.78									
-	-	-	-	-	BU-7028-12	17.17	1.78									