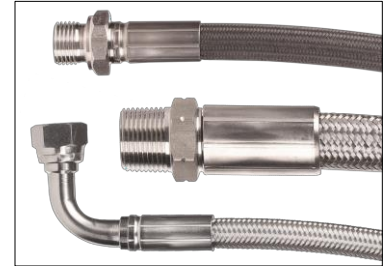


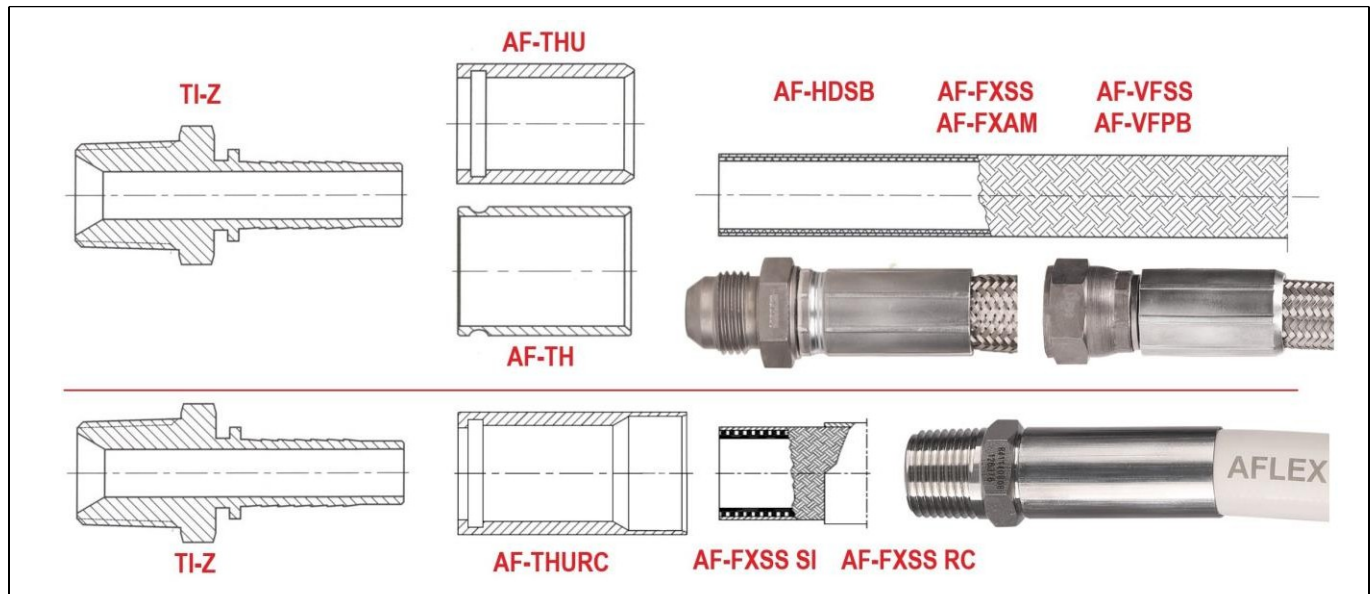
Hydraulic fittings for HYPERLINE SB, HYPERLINE FX and VISIFLON hoses:

For Teflon hoses HYPERLINE SB (AF-HDSB-...), HYPERLINE FX (AF-FXSS-... and AF-FXAM-...) and VISIFLON (AF-VFSS-... and AF-VFPB-...) are suitable for **standard Z-type hydraulic bits** (e.g. TI-ZBW110-08-08), as described in the section "FORCE HYDRAULICS (HIGH PRESSURES)", as well as for collets of the AF-TH and AF-THU series. These collets are crimped using **standard straight clamping jaws**. The assembly of the VISIFLON hose requires additional straightening of the hose notches under the end in a special device. The bushings are made of galvanised carbon steel or AISI 304 (303) stainless steel. The AF-TH bushings have an external groove for locking, the more solid AF-THU bushings with an internal groove are recommended for higher pressures and loads.



AF-THURC bushings are designed for hoses with an additional outer layer of silicone

or rubber. The use of commonly available standard hydraulic end fittings enables Teflon hoses with a variety of connections to be made quickly and easily.



Bushings AF-THU and AF-TH:

DN		bushing index				Hose type (also applies to AS version)		
[inch]	[mm]	carbon steel, galvanised		stainless steel AISI 304(303)		Hyperline SB	Hyperline FX	Visiflon
1/8"	3	-	AF-TH-02	-	AF-TH-02-SS	AF-HDSB-03	-	-
3/16"	5	AF-THU-03	AF-TH-03	AF-THU-03-SS	AF-TH-03-SS	AF-HDSB-05	-	-
1/4"	6	AF-THU-04	AF-TH-04	AF-THU-04-SS	AF-TH-04-SS	AF-HDSB-06	AF-FXSS-06 / AF-FXAM-06	-
5/16"	8	AF-THU-05	AF-TH-05	AF-THU-05-SS	AF-TH-05-SS	AF-HDSB-08	AF-FXSS-08 / AF-FXAM-08	-
3/8"	10	AF-THU-06	AF-TH-06	AF-THU-06-SS	AF-TH-06-SS	AF-HDSB-10	AF-FXSS-10 / AF-FXAM-10	AF-VFSS-10 / AF-VFPB-10*
1/2"	13	AF-THU-08	AF-TH-08	AF-THU-08-SS	AF-TH-08-SS	AF-HDSB-13	AF-FXSS-13 / AF-FXAM-13	AF-VFSS-13 / AF-VFPB-13*
5/8"	16	AF-THU-10	AF-TH-10	AF-THU-10-SS	AF-TH-10-SS	AF-HDSB-16	AF-FXSS-16 / AF-FXAM-16	AF-VFSS-16 / AF-VFPB-16*
3/4"	19	AF-THU-12	AF-TH-12	AF-THU-12-SS	AF-TH-12-SS	AF-HDSB-19	AF-FXSS-19* / AF-FXAM-19*	AF-VFSS-19 / AF-VFPB-19*
1"	25	AF-THU-16	AF-TH-16	AF-THU-16-SS	AF-TH-16-SS	AF-HDSB-25	AF-FXSS-25 / AF-FXAM-25	AF-VFSS-25 / AF-VFPB-25*
1.1/4"	32	-	AF-TH-20	-	AF-TH-20-SS	-	-	AF-VFSS-32
1.1/2"	38	-	AF-TH-24	-	AF-TH-24-SS	-	-	AF-VFSS-38
2"	51	-	AF-TH-32	-	AF-TH-32-SS	-	-	AF-VFSS-50

Notes: * - use only AF-THU bushings

AF-THURC bushings:

DN		bushing index		Hose type	
[inch]	[mm]	carbon steel, galvanised	stainless steel AISI 304(303)	Hyperline FXSS AS SI WHITE	Hyperline FXSS RC BLACK
1/4"	6	AF-THURC-04	AF-THURC-04-SS	AF-FXSS-06AS-SI-WHITE	AF-FXSS-06-RC-BK-EN45545
5/16"	8	AF-THURC-05	AF-THURC-05-SS	AF-FXSS-08AS-SI-WHITE	-
3/8"	10	AF-THURC-06	AF-THURC-06-SS	AF-FXSS-10AS-SI-WHITE	AF-FXSS-10-RC-BK-EN45545
1/2"	13	AF-THURC-08	AF-THURC-08-SS	AF-FXSS-13AS-SI-WHITE	AF-FXSS-13-RC-BK-EN45545
5/8"	16	AF-THURC-10	AF-THURC-10-SS	AF-FXSS-16AS-SI-WHITE	AF-FXSS-16-RC-BK-EN45545
3/4"	19	AF-THURC-12	AF-THURC-12-SS	AF-FXSS-19AS-SI-WHITE	AF-FXSS-19-RC-BK-EN45545
1"	25	AF-THURC-16	AF-THURC-16-SS	AF-FXSS-25AS-SI-WHITE	AF-FXSS-25-RC-BK-EN45545