

# INDUSTRIAL PNEUMATICS - fittings

## Push-in fittings - R series

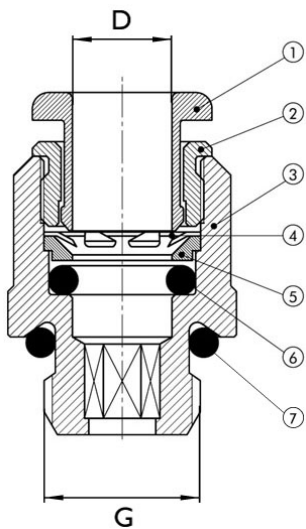


**Material:** Nickel-plated brass, technopolymer  
**Seal:** 16 bar (brass), 12 bar (technopolymer)  
**Working press.:** NBR  
**Vacuum:** Vacuum  
**Working temp.:** From -20°C up to +80°C (brass),  
 From -20°C up to +60°C (technopolymer)

Push-in fittings are designed to connect pneumatic hoses with calibrated outside diameter. The connection is achieved by pushing the hose into the fitting. To disconnect, the body has to be pressed towards release bushing. It is recommended to use these fittings with hoses made of polyamide. The hoses made of polyurethane or other materials can also be used.

R series push-in fittings and Fox series miniature fittings, manufactured by Metal Work, are the best solution for connecting pipes and actuators in pneumatic systems. Available in various configurations for virtually unlimited application. Quick and easy to use, the push-in fittings can be re-used thousands of times without affecting the pneumatic and mechanical seal in any way. The clamping spring of special shape grips the pipe without scratching or deforming it and facilitates release.

### Construction:



D (hose O.D.):  
3, 3.17, 4, 5, 6, 8, 10, 12, 14 mm

- 1 Ring or release bushing: technopolymer
- 2 Locking bushing: brass or technopolymer
- 3 Body: brass or technopolymer
- 4 Clamping spring: stainless steel (for pipes Ø 3 and Ø 3.17 and R31 and R32: brass gripper)
- 5 Spring supporting ring: technopolymer
- 6 Seal: NBR
- 7 O-ring: NBR

G (the size of a connection thread):  
M3, M5, M7, M12x1.5, 1/8", 1/4", 3/8", 1/2"

### O-ring (pos. 7):

thread	O-ring
M3	2.6x1
M5 (3 and 3.17)	3x1.2
M5	3.5x1.2
M7	5x1.5
M12x1.5	9.75x1.78
1/8"	7.66x1.78
1/4"	10.82x1.78
3/8"	14x1.78
1/2"	17.13x2.62



### FOX mini series

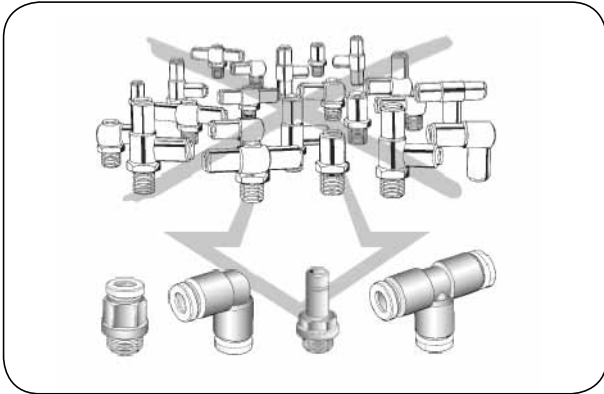
RL (FOX) miniature series (with reduced outside dimensions, for hoses with outside diameter ranging from 3 to 10 mm) is intended to allow the use of push-in fittings where the room for assembly is limited (e.g. small distribution valves). In the RL Ø4 and Ø 8 fittings the release bushing has patented screwdriver slots to facilitate disconnection in tight construction.

A mounting grip of RL21 and RL22 fittings (elbow and tee) has a ring for fixing to the wall asymmetrically in order to contain the head of a screw within the overall dimensions of the fitting.

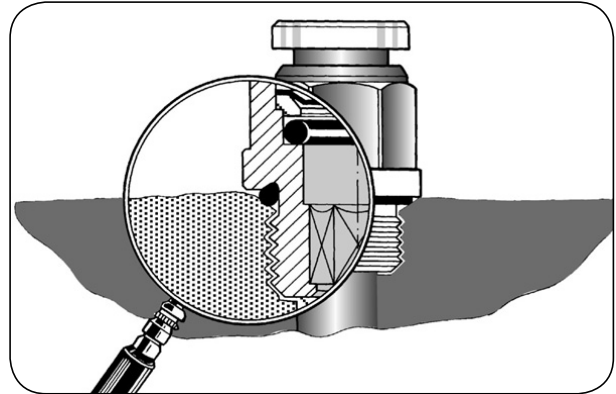
RL fittings Ø8 are not compatible with R7, R8 and R9 fittings of an older R series.

# INDUSTRIAL PNEUMATICS - fittings

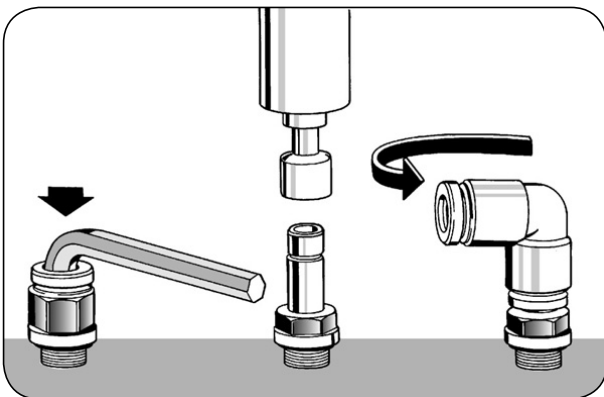
## Push-in fittings - R series



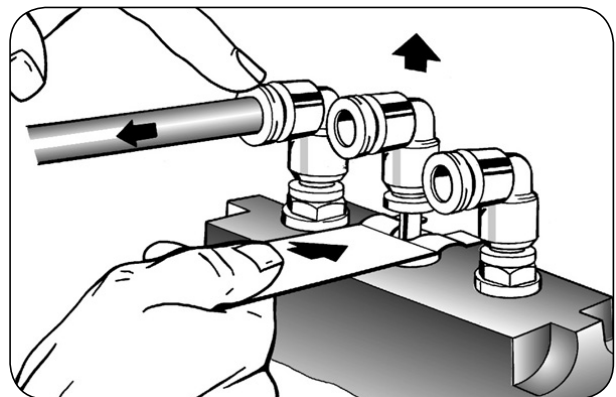
Despite a wide range of available types of push-in fittings, a complete system can be created using just four different types (R1, R4, R6, R5). Therefore storage costs are significantly reduced.



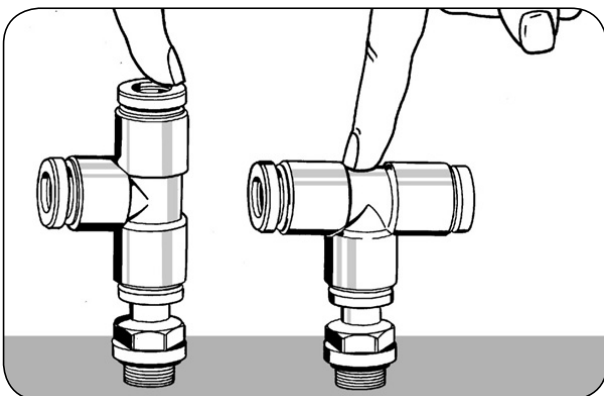
All fittings with a male parallel thread are equipped with an O-ring (Metal Work patented solution). The use of an O-ring considerably improves the seal of angled, rough, and slightly convex surfaces. PTFE tape does not have to be used at all.



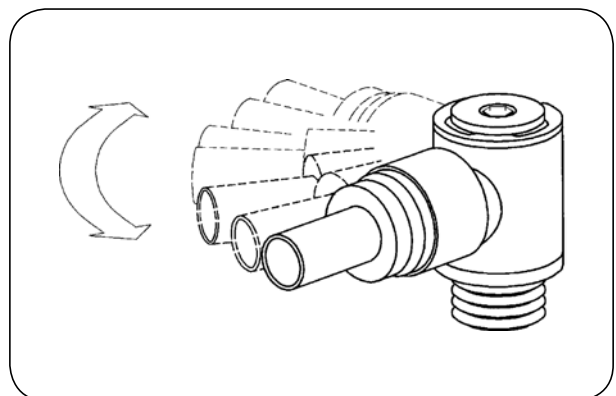
Fittings can be assembled with an Allen wrench or pneumatic tools. All elbows and tees are rotary so assembly time is significantly reduced.



The pipe is easy to disassemble (by gentle pressing both a release bushing and fitting - by radial push of spanner).



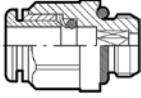
A single tee can give a central or lateral tee.

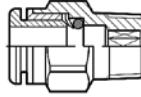


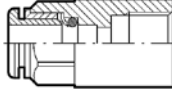
A special version (e.g. R15, R16) with two O-rings allows maximum orientation so that the fitting can follow hose movement.

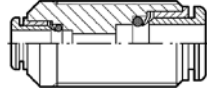
# INDUSTRIAL PNEUMATICS - fittings

## Push-in fittings - R series

Push-in connector with male thread, brass		
		
<b>R 1</b>		
code	hose O.D. [mm]	thread size
MW-2001B01	3	M3
MW-2001B02	3	M5
MW-2001A01	3.17	M3
MW-2001A02	3.17	M5
MW-2L01001	4	M5
MW-2L01020	4	M7
MW-2L01002	4	1/8"
MW-2L01003	4	1/4"
MW-2001004	5	M5
MW-2001005	5	1/8"
MW-2001006	5	1/4"
MW-2L01000	6	M5
MW-2L01021	6	M7
MW-2L01101	6	M12x1.5
MW-2L01007	6	1/8"
MW-2L01008	6	1/4"
MW-2L01009	8	1/8"
MW-2L01010	8	1/4"
MW-2L01011	8	3/8"
MW-2L01102	8	M12x1.5
MW-2L01012	10	1/4"
MW-2L01013	10	3/8"
MW-2L01018	10	1/2"
MW-2001019	12	1/4"
MW-2001014	12	3/8"
MW-2001015	12	1/2"
MW-2001016	14	3/8"
MW-2001017	14	1/2"

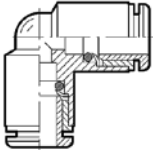
Push-in connector with male conical thread, brass		
		
<b>R 1C</b>		
code	hose O.D. [mm]	thread size
MW-2L01C02	4	1/8"
MW-2L01C07	6	1/8"
MW-2L01C08	6	1/4"
MW-2001Z07	6	12x1
MW-2001Z08	6	12x1.25
MW-2L01C09	8	1/8"
MW-2L01C10	8	1/4"
MW-2L01C11	8	3/8"
MW-2L01C13	10	1/4"
MW-2L01C14	10	3/8"
MW-2001C15	12	3/8"
MW-2001C16	12	1/2"

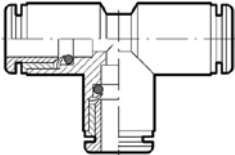
Push-in connector with female thread, brass		
		
<b>R 2</b>		
code	hose O.D. [mm]	thread size
MW-2002B02	3	M5
MW-2002A02	3.17	M5
MW-2L02001	4	1/8"
MW-2L02002	4	1/4"
MW-2002003	5	1/8"
MW-2002004	5	1/4"
MW-2L02005	6	1/8"
MW-2L02006	6	1/4"
MW-2L02007	8	1/8"
MW-2L02008	8	1/4"
MW-2L02009	10	1/4"
MW-2L02010	10	3/8"
MW-2L02011	12	3/8"
MW-2L02012	12	1/2"


Straight adapter, brass		
		
<b>R 3</b>		
code	hose O.D. [mm]	
MW-2003A02	3	
MW-2003A01	3.17	
MW-2L03001	4	
MW-2003002	5	
MW-2L03003	6	
MW-2L03004	8	
MW-2L03005	10	
MW-2003006	12	
MW-2003007	14	
MW-2L03301	4	6
MW-2L03302	4	8
MW-2L03303	6	8
MW-2L03304	6	10
MW-2L03306	6	12
MW-2L03305	8	10
MW-2L03307	8	12
MW-2L03308	10	12

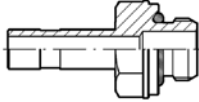
# INDUSTRIAL PNEUMATICS - fittings

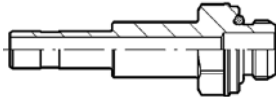
## Push-in fittings - R series

90° elbow adapter, brass	
	
<b>R 4</b>	
code	hose O.D. [mm]
MW-2004A02	3
MW-2004A01	3.17
MW-2L04001	4
MW-2004002	5
MW-2L04003	6
MW-2L04004	8
MW-2L04005	10
MW-2004006	12
MW-2004007	14

Tee adapter, brass	
	
<b>R 5</b>	
code	hose O.D. [mm]
MW-2005A02	3
MW-2005A01	3.17
MW-2L05001	4
MW-2005002	5
MW-2L05003	6
MW-2L05004	8
MW-2L05005	10
MW-2005006	12
MW-2005007	14

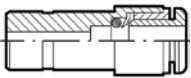
Straight stem fitting, brass	
	
<b>R 7</b>	
code	hose O.D. [mm]
MW-2007001	4
MW-2007002	5
MW-2007003	6
MW-2L07004	8
MW-2007005	10
MW-2007006	12
MW-2007007	14

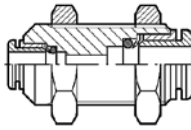
Straight stem fitting, brass		
		
<b>R 6</b>		
code	hose O.D. [mm]	thread size
MW-2006A02	3	M5
MW-2006A01	3.17	M5
MW-2006001	4	M5
MW-2006020	4	M7
MW-2006002	4	1/8"
MW-2006003	4	1/4"
MW-2006004	5	M5
MW-2006005	5	1/8"
MW-2006006	5	1/4"
MW-2006000	6	M5
MW-2006021	6	M7
MW-2006007	6	1/8"
MW-2006008	6	1/4"
MW-2006009	8	1/8"
MW-2006010	8	1/4"
MW-2006011	8	3/8"
MW-2006012	10	1/4"
MW-2006013	10	3/8"
MW-2006022	10	1/2"
MW-2006019	12	1/4"
MW-2006014	12	3/8"
MW-2006015	12	1/2"
MW-2006016	14	3/8"
MW-2006017	14	1/2"
MW-2006101	6	M12x1.5
MW-2006102	8	M12x1.5

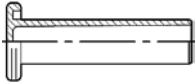
Straight stem fitting, brass		
		
<b>R 18</b>		
code	hose O.D. [mm]	thread size
MW-2018002	4	1/8"
MW-2018007	6	1/8"
MW-2018008	6	1/4"
MW-2018009	8	1/8"
MW-2018010	8	1/4"
MW-2018011	8	3/8"
MW-2018012	10	1/4"
MW-2018013	10	3/8"

# INDUSTRIAL PNEUMATICS - fittings

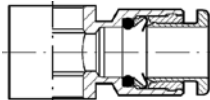
## Push-in fittings - R series

Reducing fitting, brass		
		
<b>R 8</b>		
code	stem O.D. [mm]	hose O.D. [mm]
MW-2008A01	4	3
MW-2008A02	4	3.17
MW-2008001	5	4
MW-2L08002	6	4
MW-2008003	6	5
MW-2L08004	8	4
MW-2008005	8	5
MW-2L08006	8	6
MW-2L08007	10	6
MW-2L08008	10	8
MW-2008015	12	10
MW-2008009	12	4
MW-2008010	12	6
MW-2008011	12	8
MW-2008014	14	8
MW-2008017	14	10
MW-2008018	14	12
MW-2009001	4	6

Bulkhead straight adapter, brass			
			
<b>R 10</b>			
code	hose O.D. [mm]	thread size	
MW-2011A02	3	M8x0.75	
MW-2011A01	3.17	M8x0.75	
MW-2L11001	4	M11x1	
MW-2011002	5	M14x1	
MW-2L11003	6	M13x1	
MW-2L11004	8	M15x1	
MW-2L11005	10	M17x1	
MW-2011006	12	M22x1	
MW-2011007	14	M24x1	
MW-2L11301	4	6	M13x1
MW-2L11302	4	8	M15x1
MW-2L11303	6	8	M15x1
MW-2L11304	6	10	M17x1
MW-2L11306	6	12	M20x1
MW-2L11305	8	10	M17x1
MW-2L11307	8	12	M20x1
MW-2L11308	10	12	M20x1

Blank plug, technopolymer, (brass)	
	
<b>R 9</b>	
code	hose O.D. [mm]
MW-2010A02*	3
MW-2L10A01	3.17
MW-2L10001	4
MW-2010002*	5
MW-2L10003	6
MW-2L10004	8
MW-2L10005	10
MW-2L10006	12
MW-2010007*	14

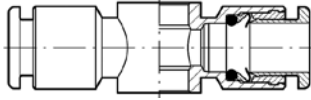
\* - made of technopolymer

BANJO elbow body, brass		
		
<b>R 13</b>		
code	hose O.D. [mm]	thread size
MW-2012A02	3	M5
MW-2012A01	3.17	M5
MW-2012001	4	M5
MW-2012002	4	1/8"
MW-2012003	5	M5
MW-2012004	5	1/8"
MW-2012005	6	1/8"
MW-2012006	6	1/4"
MW-2012007	8	1/8"
MW-2012008	8	1/4"
MW-2012009	8	3/8"
MW-2012010	10	1/4"
MW-2012011	10	3/8"
MW-2012012	12	3/8"
MW-2012013	12	1/4"
MW-2012014	12	1/2"

# INDUSTRIAL PNEUMATICS - fittings

## Push-in fittings - R series

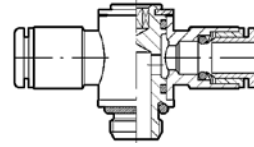
BANJO tee body, brass



**R 14**

code	hose O.D. [mm]	thread size
MW-2013001	4	M5
MW-2013002	4	1/8"
MW-2013003	5	M5
MW-2013004	5	1/8"
MW-2013005	6	1/8"
MW-2013006	6	1/4"
MW-2013007	8	1/8"
MW-2013008	8	1/4"
MW-2013009	8	3/8"
MW-2013010	10	1/4"
MW-2013011	10	3/8"

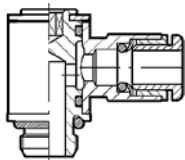
Rotary tee, male thread, brass



**R 16**

code	hose O.D. [mm]	thread size
MW-2L15001	4	M5
MW-2L15020	4	M7
MW-2L15002	4	1/8"
MW-2015003	5	M5
MW-2015004	5	1/8"
MW-2L15106	6	M5
MW-2L15021	6	M7
MW-2L15005	6	1/8"
MW-2L15007	6	1/4"
MW-2L15006	8	1/8"
MW-2L15008	8	1/4"
MW-2L15013	8	3/8"
MW-2L15009	10	1/4"
MW-2L15014	10	3/8"
MW-2015010	12	1/4"
MW-2015011	12	3/8"
MW-2015012	12	1/2"

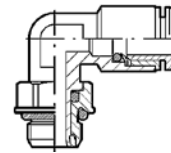
Rotary 90° elbow, male thread, brass



**R 15**

code	hose O.D. [mm]	thread size
MW-2014101	3	M3
MW-2014102	3.17	M3
MW-2014103	3	M5
MW-2014104	3.17	M5
MW-2L14001	4	M5
MW-2L14020	4	M7
MW-2L14002	4	1/8"
MW-2014003	5	M5
MW-2014004	5	1/8"
MW-2L14106	6	M5
MW-2L14021	6	M7
MW-2L14005	6	1/8"
MW-2L14007	6	1/4"
MW-2L14006	8	1/8"
MW-2L14008	8	1/4"
MW-2L14013	8	3/8"
MW-2L14009	10	1/4"
MW-2L14014	10	3/8"
MW-2014010	12	1/4"
MW-2014011	12	3/8"
MW-2014012	12	1/2"

Rotary 90° elbow, male parallel thread, brass

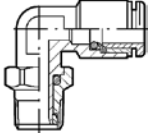


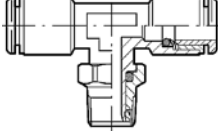
**R 31**

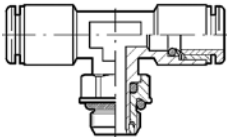
code	hose O.D. [mm]	thread size
MW-2L31001	4	M5
MW-2L31002	4	1/8"
MW-2L31003	4	1/4"
MW-2031004	5	M5
MW-2031005	5	1/8"
MW-2031006	5	1/4"
MW-2L31007	6	M5
MW-2L31008	6	1/8"
MW-2L31009	6	1/4"
MW-2L31010	8	1/8"
MW-2L31011	8	1/4"
MW-2L31012	8	3/8"
MW-2L31013	10	1/4"
MW-2L31014	10	3/8"
MW-2031015	10	1/2"
MW-2031016	12	1/4"
MW-2031017	12	3/8"
MW-2031018	12	1/2"
MW-2031019	14	1/2"

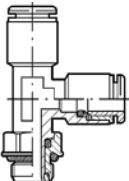
# INDUSTRIAL PNEUMATICS - fittings

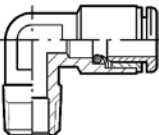
## Push-in fittings - R series

Rotary 90° elbow, male conical thread, brass		
		
<b>R 31C</b>		
code	hose O.D. [mm]	thread size
MW-2L31C02	4	1/8"
MW-2L31C03	4	1/4"
MW-2L31C08	6	1/8"
MW-2L31C09	6	1/4"
MW-2L31C10	8	1/8"
MW-2L31C11	8	1/4"
MW-2L31C12	8	3/8"
MW-2L31C13	10	1/4"
MW-2L31C14	10	3/8"
MW-2031C15	12	3/8"
MW-2031C16	12	1/2"

Rotary tee, male conical thread, technopolymer		
		
<b>R 32C</b>		
code	hose O.D. [mm]	thread size
MW-2L32C02	4	1/8"
MW-2L32C03	4	1/4"
MW-2L32C08	6	1/8"
MW-2L32C09	6	1/4"
MW-2L32C10	8	1/8"
MW-2L32C11	8	1/4"
MW-2L32C12	8	3/8"
MW-2L32C13	10	1/4"
MW-2L32C14	10	3/8"

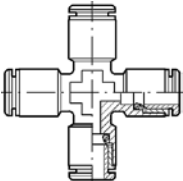
Rotary tee, male parallel thread, brass		
		
<b>R 32</b>		
code	hose O.D. [mm]	thread size
MW-2L32001	4	M5
MW-2L32002	4	1/8"
MW-2L32003	4	1/4"
MW-2032005	5	1/8"
MW-2L32004	6	M5
MW-2L32008	6	1/8"
MW-2L32009	6	1/4"
MW-2L32010	8	1/8"
MW-2L32011	8	1/4"
MW-2L32012	8	3/8"
MW-2L32013	10	1/4"
MW-2L32014	10	3/8"
MW-2032017	12	3/8"
MW-2032018	12	1/2"
MW-2032019	14	1/2"

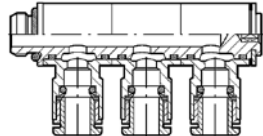
Lateral rotary tee, male thread, brass		
		
<b>R 38</b>		
code	hose O.D. [mm]	thread size
MW-2L38002	4	1/8"
MW-2038005	5	1/8"
MW-2L38008	6	1/8"
MW-2L38009	6	1/4"
MW-2L38010	8	1/8"
MW-2L38011	8	1/4"
MW-2L38013	10	1/4"
MW-2L38014	10	3/8"
MW-2038015	12	3/8"
MW-2038016	12	1/2"

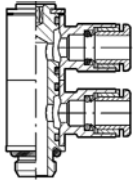
Rotary 90° elbow, male conical thread, brass		
		
<b>R 39C</b>		
code	hose O.D. [mm]	thread size
MW-2L39C02	4	1/8"
MW-2L39C08	6	1/8"
MW-2L39C09	6	1/4"
MW-2039Z07	6	M12x1
MW-2039Z08	6	M12x1.25
MW-2L39C10	8	1/8"
MW-2L39C11	8	1/4"
MW-2L39C13	10	1/4"

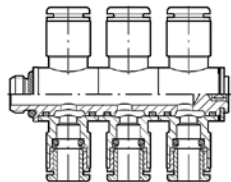
# INDUSTRIAL PNEUMATICS - fittings

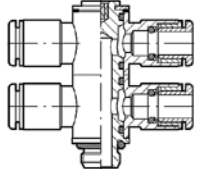
## Push-in fittings - R series

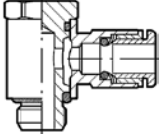
Cross adapter, brass	
	
<b>R 40</b>	
code	hose O.D. [mm]
MW-2L40001	4
MW-2L40003	6
MW-2L40004	8

Triple rotary union, brass		
		
<b>R 52</b>		
code	hose O.D. [mm]	thread size
MW-2L52002	4	1/8"
MW-2L52008	6	1/8"
MW-2L52009	6	1/4"
MW-2L52010	8	1/8"
MW-2L52011	8	1/4"
MW-2L52013	10	1/4"

Dual rotary union, brass		
		
<b>R 50</b>		
code	hose O.D. [mm]	thread size
MW-2L50001	4	M5
MW-2L50002	4	1/8"
MW-2L50007	6	M5
MW-2L50008	6	1/8"
MW-2L50009	6	1/4"
MW-2L50010	8	1/8"
MW-2L50011	8	1/4"
MW-2L50013	10	1/4"

Triple rotary union, brass		
		
<b>R 53</b>		
code	hose O.D. [mm]	thread size
MW-2L53002	4	1/8"
MW-2L53008	6	1/8"
MW-2L53009	6	1/4"
MW-2L53010	8	1/8"
MW-2L53011	8	1/4"
MW-2L53013	10	1/4"

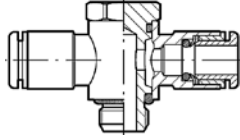
Dual rotary union, brass		
		
<b>R 51</b>		
code	hose O.D. [mm]	thread size
MW-2L51001	4	M5
MW-2L51002	4	1/8"
MW-2L51007	6	M5
MW-2L51008	6	1/8"
MW-2L51009	6	1/4"
MW-2L51010	8	1/8"
MW-2L51011	8	1/4"
MW-2L51013	10	1/4"

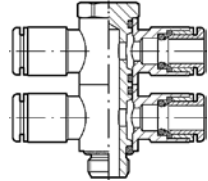
BANJO fitting, brass		
		
<b>R 54</b>		
code	hose O.D. [mm]	thread size
MW-2L54001	4	M5
MW-2L54002	4	1/8"
MW-2L54007	6	M5
MW-2L54008	6	1/8"
MW-2L54009	6	1/4"
MW-2L54010	8	1/8"
MW-2L54011	8	1/4"
MW-2L54012	8	3/8"
MW-2L54013	10	1/4"
MW-2L54014	10	3/8"
MW-2L54018	12	1/4"
MW-2L54016	12	3/8"
MW-2L54017	12	1/2"

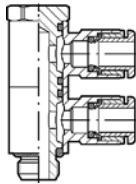


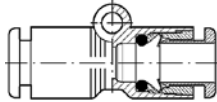
# INDUSTRIAL PNEUMATICS - fittings

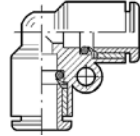
## Push-in fittings - R series

BANJO fitting, brass		
		
<b>R 55</b>		
code	hose O.D. [mm]	thread size
MW-2L55001	4	M5
MW-2L55002	4	1/8"
MW-2L55007	6	M5
MW-2L55008	6	1/8"
MW-2L55009	6	1/4"
MW-2L55010	8	1/8"
MW-2L55011	8	1/4"
MW-2L55012	8	3/8"
MW-2L55013	10	1/4"
MW-2L55014	10	3/8"
MW-2L55018	12	1/4"
MW-2L55016	12	3/8"
MW-2L55017	12	1/2"

BANJO fitting, brass		
		
<b>R 57</b>		
code	hose O.D. [mm]	thread size
MW-2L57001	4	M5
MW-2L57002	4	1/8"
MW-2L57007	6	M5
MW-2L57008	6	1/8"
MW-2L57009	6	1/4"
MW-2L57010	8	1/8"
MW-2L57011	8	1/4"
MW-2L57012	8	3/8"
MW-2L57013	10	1/4"
MW-2L57014	10	3/8"
MW-2L57016	12	3/8"
MW-2L57017	12	1/2"

BANJO fitting, brass		
		
<b>R 56</b>		
code	hose O.D. [mm]	thread size
MW-2L56001	4	M5
MW-2L56002	4	1/8"
MW-2L56007	6	M5
MW-2L56008	6	1/8"
MW-2L56009	6	1/4"
MW-2L56010	8	1/8"
MW-2L56011	8	1/4"
MW-2L56012	8	3/8"
MW-2L56013	10	1/4"
MW-2L56014	10	3/8"
MW-2L56016	12	3/8"
MW-2L56017	12	1/2"

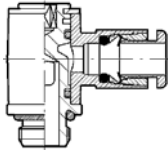
Straight adapter, technopolymer	
	
<b>R 19</b>	
code	hose O.D. [mm]
MW-2019001	4
MW-2019002	5
MW-2019003	6
MW-2019004	8
MW-2019005	10
MW-2019006	12

90° elbow adapter, technopolymer	
	
<b>R 21</b>	
code	hose O.D. [mm]
MW-2L21001	4
MW-2021002	5
MW-2L21003	6
MW-2L21004	8
MW-2021005	10
MW-2021006	12

# INDUSTRIAL PNEUMATICS - fittings

## Push-in fittings - R series

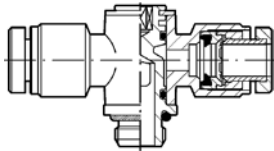
Rotary 90° elbow, male thread, technopolymer



**R 20**

code	hose O.D. [mm]	thread size
MW-2020001	4	M5
MW-2020002	4	1/8"
MW-2020003	5	M5
MW-2020004	5	1/8"
MW-2020016	6	M5
MW-2020005	6	1/8"
MW-2020007	6	1/4"
MW-2020006	8	1/8"
MW-2020008	8	1/4"
MW-2020009	10	1/4"
MW-2L20017	10	3/8"
MW-2020010	12	1/4"
MW-2020011	12	3/8"
MW-2020012	12	1/2"

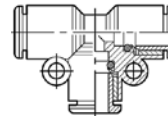
Rotary tee, male thread technopolymer



**R 20/A**

code	hose O.D. [mm]	thread size
MW-2020A01	4	M5
MW-2020A02	4	1/8"
MW-2020A03	5	M5
MW-2020A04	5	1/8"
MW-2020A05	6	1/8"
MW-2020A07	6	1/4"
MW-2020A06	8	1/8"
MW-2020A08	8	1/4"
MW-2020A09	10	1/4"
MW-2020A10	12	1/4"
MW-2020A11	12	3/8"
MW-2020A12	12	1/2"

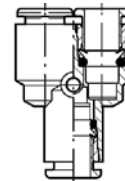
Tee adapter, technopolymer



**R 22**

code	hose O.D. [mm]
MW-2L22001	4
MW-2022002	5
MW-2L22003	6
MW-2L22004	8
MW-2022005	10
MW-2022006	12

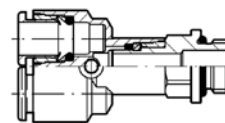
Y adapter, technopolymer



**R 23**

code	hose O.D. [mm]	
MW-2023001	4	
MW-2023002	5	
MW-2023003	6	
MW-2023004	8	
MW-2L23005	10	
MW-2L23006	12	
MW-2L23301	6	4
MW-2L23303	8	6
MW-2L23306	10	8
MW-2L23309	12	10

Rotary tee, male thread technopolymer



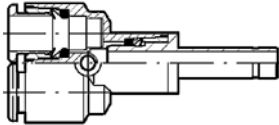
**R 23/M**

code	hose O.D. [mm]	thread size
MW-2L23401	4	M5
MW-2L23402	4	1/8"
MW-2L23403	4	1/4"
MW-2L23406	6	1/8"
MW-2L23407	6	1/4"
MW-2L23409	8	1/8"
MW-2L23410	8	1/4"
MW-2L23412	8	3/8"
MW-2L23413	10	1/4"
MW-2L23415	10	3/8"
MW-2L23419	12	3/8"
MW-2L23420	12	1/2"

# INDUSTRIAL PNEUMATICS - fittings

## Push-in fittings - R series

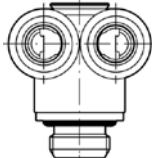
Y fitting, with stem fitting, technopolymer



**R 24**

code	stem O.D. [mm]	hose O.D. [mm]
MW-2024001	4	4
MW-2024003	6	6
MW-2L24004	8	8
MW-2L24005	10	10
MW-2L24006	12	12
MW-2L24301	6	4
MW-2L24303	8	6
MW-2L24306	10	8
MW-2L24309	12	10

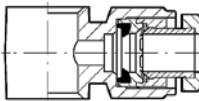
Parallel Y fitting with male thread, technopolymer



**R 25**

code	hose O.D. [mm]	thread size
MW-2L25001	4	M5
MW-2L25002	4	M7
MW-2L25003	4	1/8"
MW-2L25004	6	1/8"
MW-2L25005	6	1/4"
MW-2L25008	8	1/4"
MW-2L25009	8	3/8"

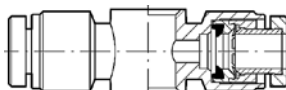
BANJO straight body fitting, technopolymer



**R 28**

code	hose O.D. [mm]	thread size
MW-2012102	4	1/8"
MW-2012104	5	1/8"
MW-2012106	6	1/8"
MW-2012107	6	1/4"
MW-2012108	8	1/8"
MW-2012109	8	1/4"
MW-2012110	8	3/8"
MW-2012111	10	1/4"
MW-2012112	10	3/8"
MW-2012113	12	1/4"
MW-2012114	12	3/8"
MW-2012115	12	1/2"

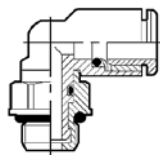
BANJO tee body, technopolymer



**R 29**

code	hose O.D. [mm]	thread size
MW-2013102	4	1/8"
MW-2013104	5	1/8"
MW-2013106	6	1/8"
MW-2013107	6	1/4"
MW-2013108	8	1/8"
MW-2013109	8	1/4"
MW-2013110	8	3/8"
MW-2013111	10	1/4"
MW-2013112	10	3/8"
MW-2013113	12	1/4"
MW-2013114	12	3/8"
MW-2013115	12	1/2"

Rotary 90° elbow, male thread, technopolymer



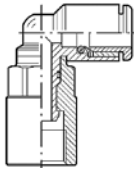
**R 34**

code	hose O.D. [mm]	thread size
MW-2L34001	4	M5
MW-2L34020	4	M7
MW-2L34002	4	1/8"
MW-2L34003	4	1/4"
MW-2L34006	6	M5
MW-2L34021	6	M7
MW-2L34007	6	1/8"
MW-2L34008	6	1/4"
MW-2L34009	8	1/8"
MW-2L34010	8	1/4"
MW-2L34011	8	3/8"
MW-2L34013	10	1/4"
MW-2L34014	10	3/8"
MW-2L34016	12	3/8"
MW-2L34017	12	1/2"

# INDUSTRIAL PNEUMATICS - fittings

## Push-in fittings - R series

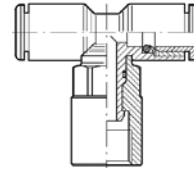
Rotary 90° elbow, female thread, technopolymer



**R 34/F**

code	hose O.D. [mm]	thread size
MW-2L34F01	4	M5
MW-2L34F05	4	1/8"
MW-2L34F06	6	M5
MW-2L34F07	6	1/8"
MW-2L34F08	6	1/4"
MW-2L34F09	8	1/8"
MW-2L34F10	8	1/4"
MW-2L34F13	10	1/4"
MW-2L34F14	10	3/8"
MW-2L34F16	12	3/8"
MW-2L34F17	12	1/2"

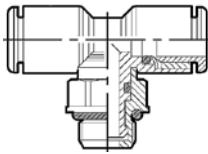
Rotary tee, female thread, technopolymer



**R 35/F**

code	hose O.D. [mm]	thread size
MW-2L35F01	4	M5
MW-2L35F06	6	M5
MW-2L35F07	6	1/8"
MW-2L35F08	6	1/4"
MW-2L35F09	8	1/8"
MW-2L35F10	8	1/4"
MW-2L35F13	10	1/4"
MW-2L35F14	10	3/8"
MW-2L35F16	12	3/8"
MW-2L35F17	12	1/2"

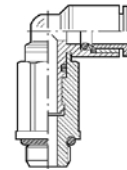
Rotary tee, male thread, technopolymer



**R 35**

code	hose O.D. [mm]	thread size
MW-2L35001	4	M5
MW-2L35020	4	M7
MW-2L35002	4	1/8"
MW-2L35003	4	1/4"
MW-2L35006	6	M5
MW-2L35007	6	1/8"
MW-2L35008	6	1/4"
MW-2L35009	8	1/8"
MW-2L35010	8	1/4"
MW-2L35011	8	3/8"
MW-2L35013	10	1/4"
MW-2L35014	10	3/8"
MW-2L35016	12	3/8"
MW-2L35017	12	1/2"

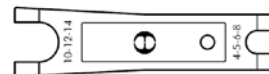
Extended rotary 90° elbow, male thread, technopolymer



**R 36**

code	hose O.D. [mm]	thread size
MW-2L36001	4	M5
MW-2L36020	4	M7
MW-2L36002	4	1/8"
MW-2L36006	6	M5
MW-2L36021	6	M7
MW-2L36007	6	1/8"
MW-2L36008	6	1/4"
MW-2L36009	8	1/8"
MW-2L36010	8	1/4"
MW-2L36012	10	1/4"

Disassembly tool

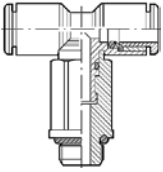


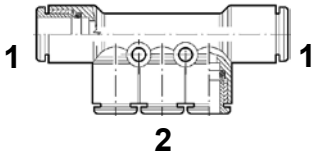
**R 17**

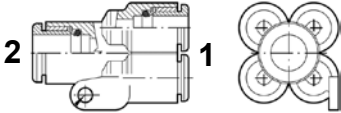
code	hose O.D. [mm]	application
MW-2L17001	3 ÷ 10	for R and FOX fittings
MW-2017001	4 ÷ 14	only R fittings

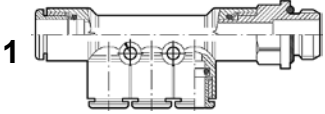
# INDUSTRIAL PNEUMATICS - fittings

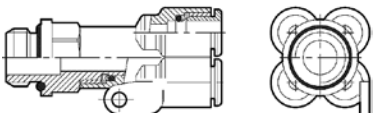
## Push-in fittings - R series

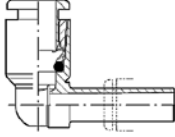
Extended rotary tee, male thread, technopolymer		
		
<b>R 37</b>		
code	hose O.D. [mm]	thread size
MW-2L37001	4	M5
MW-2L37020	4	M7
MW-2L37002	4	1/8"
MW-2L37006	6	M5
MW-2L37007	6	1/8"
MW-2L37008	6	1/4"
MW-2L37009	8	1/8"
MW-2L37010	8	1/4"
MW-2L37012	10	1/4"

Divider, technopolymer		
		
<b>R 44</b>		
code	hose O.D. 1 [mm]	hose O.D. 2 [mm]
MW-2L44001	6	4
MW-2L44003	8	6

Divider, technopolymer		
		
<b>R 42</b>		
code	hose O.D. 1 [mm]	hose O.D. 2 [mm]
MW-2L42001	4	4
MW-2L42002	4	6
MW-2L42004	6	6
MW-2L42005	6	8

Divider, male thread, technopolymer			
			
<b>R 45</b>			
code	hose O.D. 1 [mm]	hose O.D. 2 [mm]	thread size
MW-2L45001	6	4	1/8"
MW-2L45002	6	4	1/4"
MW-2L45007	8	6	1/8"
MW-2L45008	8	6	1/4"
MW-2L45009	8	6	3/8"

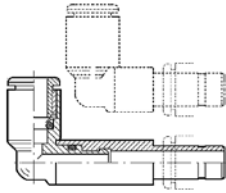
Divider, male thread, technopolymer		
		
<b>R 43</b>		
code	hose O.D. [mm]	thread size
MW-2L43001	4	M5
MW-2L43002	4	1/8"
MW-2L43003	4	1/4"
MW-2L43008	6	1/8"
MW-2L43009	6	1/4"

90° elbow with stem, technopolymer		
		
<b>R 46</b>		
code	stem O.D [mm]	hose O.D. [mm]
MW-2L46001	4	4
MW-2L46002	6	6
MW-2L46003	8	8
MW-2L46004	10	10

# INDUSTRIAL PNEUMATICS - fittings

## Push-in fittings - R series

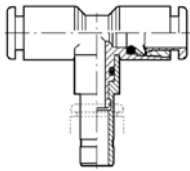
Extended 90° elbow with stem, technopolymer



**R 47**

code	stem O.D [mm]	hose O.D. [mm]
MW-2L47001	4	4
MW-2L47002	6	6
MW-2L47003	8	8

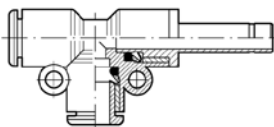
90° elbow with stem, technopolymer



**R 48**

code	stem O.D [mm]	hose O.D. [mm]
MW-2L48001	4	4
MW-2L48002	6	6
MW-2L48003	8	8
MW-2L48004	10	10

Y fitting, with stem, technopolymer



**R 49**

code	stem O.D [mm]	hose O.D. [mm]
MW-2L49001	4	4
MW-2L49003	6	6
MW-2L49004	8	8
MW-2L49005	10	10
MW-2L49006	12	12

# INDUSTRIAL PNEUMATICS - fittings

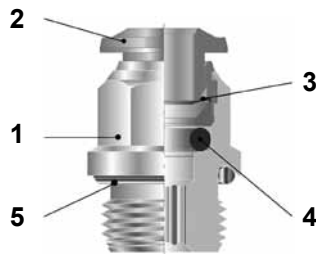
## Push-in fittings - S series




**Material:** Nickel plated brass  
Technopolymer  
**Working press:** 10 bar  
**Vacuum:** -0.99 bar  
**Working temp.:** From 0°C up to +60°C  
**Seal:** NBR


A push-in fitting of S series is an economical solution applied to connect hoses with metric and imperial calibrated external diameter. The hose is just pushed into the fitting. In order to disconnect, the locking sleeve must be pressed.

### Construction:



- 1. Body: nickel plated brass
- 2. Release bushing: nickel plated brass
- 3. Locking bushing: technopolymer
- 4. Hose seal: stainless steel
- 5. Thread seal: NBR

Straight connection, BSP male thread		
		
<b>PCM</b>		
code	hose O.D. [mm]	thread size [BSP]
SH-PCM-04-02B	4	1/8"
SH-PCM-04-04B	4	1/4"
SH-PCM-06-02B	6	1/8"
SH-PCM-06-04B	6	1/4"
SH-PCM-06-06B	6	3/8"
SH-PCM-06-08B	6	1/2"
SH-PCM-08-02B	8	1/8"
SH-PCM-08-04B	8	1/4"
SH-PCM-08-06B	8	3/8"
SH-PCM-08-08B	8	1/2"
SH-PCM-10-02B	10	1/8"
SH-PCM-10-04B	10	1/4"
SH-PCM-10-06B	10	3/8"
SH-PCM-10-08B	10	1/2"
SH-PCM-12-02B	12	1/8"
SH-PCM-12-04B	12	1/4"
SH-PCM-12-06B	12	3/8"
SH-PCM-12-08B	12	1/2"
SH-PCM-14-04B	14	1/4"
SH-PCM-14-06B	14	3/8"
SH-PCM-14-08B	14	1/2"
SH-PCM-16-06B	16	3/8"
SH-PCM-16-08B	16	1/2"

Straight connection, NPT male thread		
		
<b>PCC</b>		
code	hose O.D. [inch]	thread size [NPT]
SH-PCC-02,5-02N	5/32	1/8"
SH-PCC-02,5-04N	5/32	1/4"
SH-PCC-02,5-06N	5/32	3/8"
SH-PCC-03-02N	3/16	1/8"
SH-PCC-03-04N	3/16	1/4"
SH-PCC-03-06N	3/16	3/8"
SH-PCC-04-02N	1/4	1/8"
SH-PCC-04-04N	1/4	1/4"
SH-PCC-04-06N	1/4	3/8"
SH-PCC-04-08N	1/4	1/2"
SH-PCC-05-02N	5/16	1/8"
SH-PCC-05-04N	5/16	1/4"
SH-PCC-05-06N	5/16	3/8"
SH-PCC-05-08N	5/16	1/2"
SH-PCC-06-02N	3/8	1/8"
SH-PCC-06-04N	3/8	1/4"
SH-PCC-06-06N	3/8	3/8"
SH-PCC-06-08N	3/8	1/2"
SH-PCC-08-02N	1/2	1/8"
SH-PCC-08-04N	1/2	1/4"
SH-PCC-08-06N	1/2	3/8"
SH-PCC-08-08N	1/2	1/2"

# INDUSTRIAL PNEUMATICS - fittings

## Push-in fittings - S series

90° elbow connection, BSP male thread



**PLM**

code	hose O.D. [mm]	thread size [BSP]
SH-PLM-04-02B	4	1/8"
SH-PLM-04-04B	4	1/4"
SH-PLM-04-06B	4	3/8"
SH-PLM-06-02B	6	1/8"
SH-PLM-06-04B	6	1/4"
SH-PLM-06-06B	6	3/8"
SH-PLM-06-08B	6	1/2"
SH-PLM-08-02B	8	1/8"
SH-PLM-08-04B	8	1/4"
SH-PLM-08-06B	8	3/8"
SH-PLM-08-08B	8	1/2"
SH-PLM-10-02B	10	1/8"
SH-PLM-10-04B	10	1/4"
SH-PLM-10-06B	10	3/8"
SH-PLM-10-08B	10	1/2"
SH-PLM-12-02B	12	1/8"
SH-PLM-12-04B	12	1/4"
SH-PLM-12-06B	12	3/8"
SH-PLM-12-08B	12	1/2"
SH-PLM-14-04B	14	1/4"
SH-PLM-14-06B	14	3/8"
SH-PLM-14-08B	14	1/2"
SH-PLM-16-06B	16	3/8"
SH-PLM-16-08B	16	1/2"

90° elbow connection, NPT male thread



**PLC**

code	hose O.D. [inch]	thread size [NPT]
SH-PLC-02,5-02N	5/32	1/8"
SH-PLC-02,5-04N	5/32	1/4"
SH-PLC-03-02N	3/16	1/8"
SH-PLC-03-04N	3/16	1/4"
SH-PLC-03-06N	3/16	3/8"
SH-PLC-04-02N	1/4	1/8"
SH-PLC-04-04N	1/4	1/4"
SH-PLC-04-06N	1/4	3/8"
SH-PLC-05-02N	5/16	1/8"
SH-PLC-05-04N	5/16	1/4"
SH-PLC-05-06N	5/16	3/8"
SH-PLC-05-08N	5/16	1/2"
SH-PLC-06-02N	3/8	1/8"
SH-PLC-06-04N	3/8	1/4"
SH-PLC-06-06N	3/8	3/8"
SH-PLC-06-08N	3/8	1/2"
SH-PLC-08-04N	1/2	1/4"
SH-PLC-08-06N	1/2	3/8"
SH-PLC-08-08N	1/2	1/2"

Straight connector



**PUCM**

code	hose O.D. [mm]	length [mm]
SH-PUCM-04	4	33
SH-PUCM-06	6	34.5
SH-PUCM-08	8	38.5
SH-PUCM-10	10	48.5
SH-PUCM-12	12	49
SH-PUCM-14	14	51.5
SH-PUCM-16	16	63.5

Straight connector



**PUCC**

code	hose O.D. [inch]	length [mm]
SH-PUCC-02,5	5/32	32
SH-PUCC-03	3/16	32
SH-PUCC-04	1/4	34.5
SH-PUCC-05	5/16	38.5
SH-PUCC-06	3/8	47.5
SH-PUCC-08	1/2	49



# INDUSTRIAL PNEUMATICS - fittings

## Push-in fittings - S series

Reducing straight connector



**PUCM**

code	hose O.D. [mm]		length [mm]
SH-PUCM-06-04	6	4	34
SH-PUCM-08-04	8	4	36.5
SH-PUCM-08-06	8	6	36.5
SH-PUCM-10-06	10	6	43
SH-PUCM-10-08	10	8	43
SH-PUCM-12-08	12	8	47
SH-PUCM-12-10	12	10	49
SH-PUCM-14-12	14	12	51
SH-PUCM-16-12	16	12	64
SH-PUCM-16-14	16	14	65

Reducing plug



**PGJM**

code	plug O.D. [mm]	hose O.D. [mm]	length [mm]
SH-PGJM-06-04	6	4	38.5
SH-PGJM-08-04	8	4	40
SH-PGJM-08-06	8	6	41
SH-PGJM-10-06	10	6	41
SH-PGJM-10-08	10	8	45.5
SH-PGJM-12-06	12	6	41
SH-PGJM-12-08	12	8	43
SH-PGJM-12-10	12	10	51

90° elbow connector



**PULM**

code	hose O.D. [mm]	length [mm]
SH-PULM-04	4	24
SH-PULM-06	6	25
SH-PULM-08	8	29
SH-PULM-10	10	37
SH-PULM-12	12	40
SH-PULM-14	14	41.5
SH-PULM-16	16	45.5

90° elbow connector



**PULC**

code	hose O.D. [inch]	length [mm]
SH-PULC-02,5	5/32	24
SH-PULC-03	3/16	24
SH-PULC-04	1/4	25
SH-PULC-05	5/16	29
SH-PULC-06	3/8	37
SH-PULC-08	1/2	40

End cap



**PPFM**

code	hose O.D. [mm]	length [mm]
SH-PPFM-04	4	18
SH-PPFM-06	6	19
SH-PPFM-08	8	21
SH-PPFM-10	10	23
SH-PPFM-12	12	25
SH-PPFM-16	16	27.5

End cap





**PPFC**

code	hose O.D. [inch]	length [mm]
SH-PPFC-02,5	5/32	18
SH-PPFC-03	3/16	18
SH-PPFC-04	1/4	19
SH-PPFC-05	5/16	21
SH-PPFC-06	3/8	23
SH-PPFC-08	1/2	25


# INDUSTRIAL PNEUMATICS - fittings


## Push-in fittings - S series

"T" connector		
		
<b>PUTM</b>		
code	hose O.D. [mm]	length [mm]
SH-PUTM-04	4	36.5
SH-PUTM-06	6	37.5
SH-PUTM-08	8	44.5
SH-PUTM-10	10	57
SH-PUTM-12	12	58
SH-PUTM-14	14	60.7
SH-PUTM-16	16	64

"T" connector		
		
<b>PUTC</b>		
code	hose O.D. [mm]	length [mm]
SH-PUTC-02,5	5/32	36.5
SH-PUTC-03	3/16	36.5
SH-PUTC-04	1/4	38
SH-PUTC-05	5/16	45
SH-PUTC-06	3/8	55
SH-PUTC-08	1/2	58

"T" connector			
			
<b>PUTM</b>			
code	1 hose O.D. [mm]	2 hose O.D. [mm]	length [mm]
SH-PUTM-04-06	4	6	37.5
SH-PUTM-04-08	4	8	41
SH-PUTM-06-04	6	4	38
SH-PUTM-06-08	6	8	41
SH-PUTM-06-10	6	10	44.5
SH-PUTM-08-04	8	4	43.5
SH-PUTM-08-06	8	6	43.5
SH-PUTM-08-10	8	10	48
SH-PUTM-08-12	8	12	48.5
SH-PUTM-10-06	10	6	56
SH-PUTM-10-08	10	8	56
SH-PUTM-10-12	10	12	58
SH-PUTM-12-08	12	8	56
SH-PUTM-12-10	12	10	57.5
SH-PUTM-14-12	14	12	60.5
SH-PUTM-16-12	16	12	65
SH-PUTM-16-14	16	14	65

"Y" connector		
		
<b>PYM</b>		
code	hose O.D. [mm]	length [mm]
SH-PYM-04	4	35.5
SH-PYM-06	6	37
SH-PYM-08	8	39.5
SH-PYM-10	10	50.5
SH-PYM-12	12	52.5
SH-PYM-16	16	55.5

"Y" connector			
			
<b>PYM</b>			
code	1 hose O.D. [mm]	2 hose O.D. [mm]	length [mm]
SH-PYM-06-04	6	4	36
SH-PYM-08-04	8	4	37
SH-PYM-08-06	8	6	37
SH-PYM-10-06	10	6	43.5
SH-PYM-10-08	10	8	44
SH-PYM-12-08	12	8	51
SH-PYM-12-10	12	10	52
SH-PYM-16-12	16	12	54.5
SH-PYM-16-14	16	14	55

# INDUSTRIAL PNEUMATICS - fittings

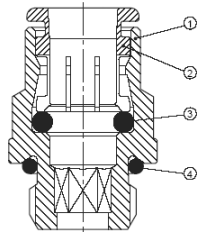
## Push-in fittings for the food industry - F series



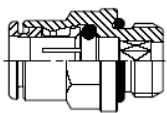
**Material:** Nickel-plated brass  
**Working press.:** 16 bar  
**Working temp.:** From -20°C up to +150°C  
**Seal:** Viton

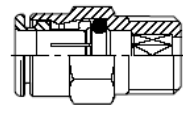
F series fittings are designed for food industry. There is no technopolymer in the fitting, parts are chemically treated with nickel-plated coating, seals are made of Viton. As a result, they are highly resistant to detergents and other chemicals. Their working temperature ranges up to +150°C. The fittings can be also used in chemical, pharmaceutical, electronic industry and in medicine.

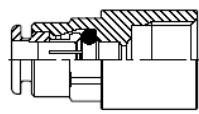
### Construction:



- 1 Body: chemically nickel-plated brass
- 2 Gripper: chemically nickel-plated brass
- 3 Fitting seal: Viton
- 4 Thread seal: Viton

Straight connection, male thread		
		
<b>R 1 NSF</b>		
code	hose O.D. [mm]	thread size
MW-2F01001	4	M5
MW-2F01002	4	1/8"
MW-2F01003	4	1/4"
MW-2F01000	6	M5
MW-2F01007	6	1/8"
MW-2F01008	6	1/4"
MW-2F01009	8	1/8"
MW-2F01010	8	1/4"
MW-2F01011	8	3/8"
MW-2F01012	10	1/4"
MW-2F01013	10	3/8"
MW-2F01022	10	1/2"

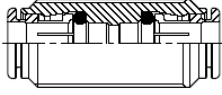
Straight connection, male tapered thread		
		
<b>R 1C NSF</b>		
code	hose O.D. [mm]	thread size
MW-2F01C02	4	1/8"
MW-2F01C07	6	1/8"
MW-2F01C08	6	1/4"
MW-2F01C09	8	1/8"
MW-2F01C10	8	1/4"
MW-2F01C11	8	3/8"
MW-2F01C13	10	1/4"
MW-2F01C14	10	3/8"

Straight connection, female thread		
		
<b>R 2 NSF</b>		
code	hose O.D. [mm]	thread size
MW-2F02001	4	1/8"
MW-2F02005	6	1/8"
MW-2F02006	6	1/4"
MW-2F02007	8	1/8"
MW-2F02008	8	1/4"
MW-2F02011	10	1/4"

# INDUSTRIAL PNEUMATICS - fittings

## Push-in fittings for the food industry - F series

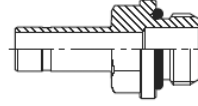
Straight connector



**R 3 NSF**

code	hose O.D. [mm]	thread size
MW-2F03001	4	M13x1
MW-2F03003	6	M15x1
MW-2F03004	8	M17x1
MW-2F03005	10	M20x1

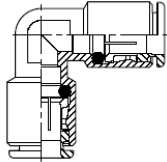
Straight connection with stem, male thread



**R 6 NSF**

code	hose O.D. [mm]	thread size
MW-2F06001	4	M5
MW-2F06002	4	1/8"
MW-2F06003	4	1/4"
MW-2F06000	6	M5
MW-2F06007	6	1/8"
MW-2F06008	6	1/4"
MW-2F06009	8	1/8"
MW-2F06010	8	1/4"
MW-2F06011	8	3/8"
MW-2F06012	10	1/4"
MW-2F06013	10	3/8"

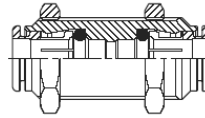
90° elbow connector



**R 4 NSF**

code	hose O.D. [mm]
MW-2F04001	4
MW-2F04003	6
MW-2F04004	8
MW-2F04005	10

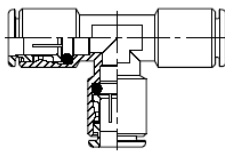
Straight bulkhead connector



**R 10 NSF**

code	hose O.D. [mm]	thread size
MW-2F11001	4	M11x1
MW-2F11003	6	M13x1
MW-2F11004	8	M15x1
MW-2F11005	10	M17x1

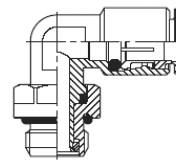
Tee connector



**R 5 NSF**

code	hose O.D. [mm]
MW-2F05001	4
MW-2F05003	6
MW-2F05004	8
MW-2F05005	10

90° elbow swivel connection, male thread



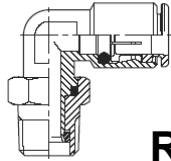
**R 31 NSF**

code	hose O.D. [mm]	thread size
MW-2F31001	4	M5
MW-2F31002	4	1/8"
MW-2F31003	4	1/4"
MW-2F31007	6	M5
MW-2F31008	6	1/8"
MW-2F31009	6	1/4"
MW-2F31010	8	1/8"
MW-2F31011	8	1/4"
MW-2F31012	8	3/8"
MW-2F31013	10	1/4"
MW-2F31014	10	3/8"
MW-2F31015	10	1/2"

# INDUSTRIAL PNEUMATICS - fittings

## Push-in fittings for the food industry - F series

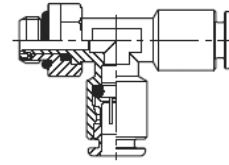
90° elbow swivel connection, male tapered thread



**R 31C NSF**

code	hose O.D. [mm]	thread size
MW-2F31C02	4	1/8"
MW-2F31C03	4	1/4"
MW-2F31C08	6	1/8"
MW-2F31C09	6	1/4"
MW-2F31C10	8	1/8"
MW-2F31C11	8	1/4"
MW-2F31C12	8	3/8"
MW-2F31C13	10	1/4"
MW-2F31C14	10	3/8"

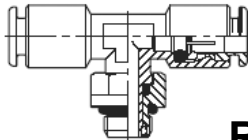
90° elbow connection, male thread



**R 38 NSF**

code	hose O.D. [mm]	thread size
MW-2F38002	4	1/8"
MW-2F38008	6	1/8"
MW-2F38009	6	1/4"
MW-2F38010	8	1/8"
MW-2F38011	8	1/4"
MW-2F38013	10	1/4"
MW-2F38014	10	3/8"

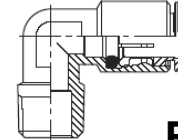
Tee swivel connection, male thread



**R 32 NSF**

code	hose O.D. [mm]	thread size
MW-2F32002	4	1/8"
MW-2F32008	6	1/8"
MW-2F32009	6	1/4"
MW-2F32010	8	1/8"
MW-2F32011	8	1/4"
MW-2F32012	8	3/8"
MW-2F32013	10	1/4"
MW-2F32014	10	3/8"

90° elbow swivel connection, male tapered thread



**R 39C NSF**

code	hose O.D. [mm]	thread size
MW-2F39C02	4	1/8"
MW-2F39C08	6	1/8"
MW-2F39C09	6	1/4"
MW-2F39C10	8	1/8"
MW-2F39C11	8	1/4"
MW-2F39C12	8	3/8"
MW-2F39C13	10	1/4"

# INDUSTRIAL PNEUMATICS - fittings

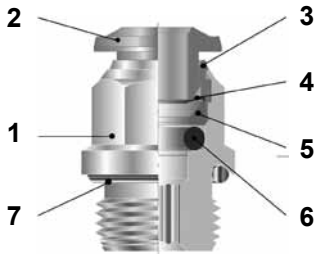
## Stainless steel push-in fittings



**Material:** AISI 316L  
**Working press.:** 15 bar  
**Vacuum press:** 0.99 bar  
**Working temp.:** From -15°C up to +225°C  
**Seal:** Viton

High quality push-in fittings made entirely of AISI 316L steel. Viton seals and lack of plastic elements ensure outstanding corrosion and chemical resistance. Widely used in chemical, food, pharmaceutical, electronic industry and in medicine.

### Construction:



1 Body: AISI 316L  
 2 Release bushing: AISI 316L  
 3 Locking bushing: AISI 316L  
 4 Safety locking ring: AISI 316L  
 5 Protecting ring: PTFE  
 6 Hose seal: Viton  
 7 Thread seal: Viton

Straight connection, male tapered thread



**60000**

code	hose O.D. [mm]	thread size
AI-60000-04-02	4	1/8"
AI-60000-04-04	4	1/4"
AI-60000-06-02	6	1/8"
AI-60000-06-04	6	1/4"
AI-60000-08-02	8	1/8"
AI-60000-08-04	8	1/4"
AI-60000-10-04	10	1/4"
AI-60000-10-06	10	3/8"
AI-60000-12-06	12	3/8"
AI-60000-12-08	12	1/2"

Straight connection, male thread





**60020**


code	hose O.D. [mm]	thread size
AI-60020-04-M5	4	M5
AI-60020-04-02	4	1/8"
AI-60020-04-04	4	1/4"
AI-60020-06-02	6	1/8"
AI-60020-06-04	6	1/4"
AI-60020-08-02	8	1/8"
AI-60020-08-04	8	1/4"
AI-60020-10-04	10	1/4"
AI-60020-10-06	10	3/8"
AI-60020-12-06	12	3/8"
AI-60020-12-08	12	1/2"


# INDUSTRIAL PNEUMATICS - fittings


## Stainless steel push-in fittings


90° elbow connection, male tapered thread		
		
<b>60110</b>		
code	hose O.D. [mm]	thread size
AI-60110-04-02	4	1/8"
AI-60110-04-04	4	1/4"
AI-60110-06-02	6	1/8"
AI-60110-06-04	6	1/4"
AI-60110-08-02	8	1/8"
AI-60110-08-04	8	1/4"
AI-60110-10-04	10	1/4"
AI-60110-10-06	10	3/8"
AI-60110-12-06	12	3/8"
AI-60110-12-08	12	1/2"

90° elbow connection, male thread		
		
<b>60115</b>		
code	hose O.D. [mm]	thread size
AI-60115-04-M5	4	M5
AI-60115-04-02	4	1/8"
AI-60115-04-04	4	1/4"
AI-60115-06-02	6	1/8"
AI-60115-06-04	6	1/4"
AI-60115-08-02	8	1/8"
AI-60115-08-04	8	1/4"
AI-60115-10-04	10	1/4"
AI-60115-10-06	10	3/8"
AI-60115-12-06	12	3/8"
AI-60115-12-08	12	1/2"

Tee connection, male tapered thread		
		
<b>60210</b>		
code	hose O.D. [mm]	thread size
AI-60210-04-02	4	1/8"
AI-60210-04-04	4	1/4"
AI-60210-06-02	6	1/8"
AI-60210-06-04	6	1/4"
AI-60210-08-02	8	1/8"
AI-60210-08-04	8	1/4"
AI-60210-10-04	10	1/4"
AI-60210-10-06	10	3/8"
AI-60210-12-06	12	3/8"
AI-60210-12-08	12	1/2"

Tee connection, male thread		
		
<b>60215</b>		
code	hose O.D. [mm]	thread size
AI-60215-04-M5	4	M5
AI-60215-04-02	4	1/8"
AI-60215-04-04	4	1/4"
AI-60215-06-02	6	1/8"
AI-60215-06-04	6	1/4"
AI-60215-08-02	8	1/8"
AI-60215-08-04	8	1/4"
AI-60215-10-04	10	1/4"
AI-60215-10-06	10	3/8"
AI-60215-12-06	12	3/8"
AI-60215-12-08	12	1/2"

Straight connector		
		
<b>60040</b>		
code	hose O.D. [mm]	length [mm]
AI-60040-04	4	31
AI-60040-06	6	35
AI-60040-08	8	36.5
AI-60040-10	10	42
AI-60040-12	12	48

90° elbow connector		
		
<b>60130</b>		
code	hose O.D. [mm]	length [mm]
AI-60130-04	4	18
AI-60130-06	6	21
AI-60130-08	8	22.5
AI-60130-10	10	26
AI-60130-12	12	30.5

# INDUSTRIAL PNEUMATICS - fittings

## Stainless steel push-in fittings

Tee connector



**60230**

code	hose O.D. [mm]	length [mm]
AI-60230-04	4	36
AI-60230-06	6	42
AI-60230-08	8	45
AI-60230-10	10	52
AI-60230-12	12	61

Straight bulkhead connector



**60050**

code	hose O.D. [mm]	length [mm]
AI-60050-04	4	31
AI-60050-06	6	35
AI-60050-08	8	37
AI-60050-10	10	42
AI-60050-12	12	48



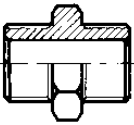
# INDUSTRIAL PNEUMATICS - fittings


## Threaded fittings - A series

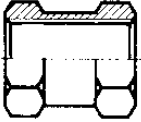


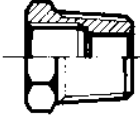
**Material:** Nickel-plated brass  
**Working press.:** Up to 60 bar

Threaded fittings (A series) are designed to connect different types of pneumatic elements (including hoses). In order to get a tight connection, additional sealing must be most often applied. It is usually PTFE tape or sealant (tapered thread) or aluminium / copper washers (parallel threads). Some fittings are equipped with NBR O-rings.

Adapter, male thread		
		
<b>A 1</b>		
code	thread size	thread size
MW-2101A00	M5	M5
MW-2101000	M5	1/8"
MW-2101001	1/8"	1/8"
MW-2101002	1/8"	1/4"
MW-2101003	1/8"	3/8"
MW-2101004	1/4"	1/4"
MW-2101005	1/4"	3/8"
MW-2101006	1/4"	1/2"
MW-2101007	3/8"	3/8"
MW-2101008	3/8"	1/2"
MW-2101009	1/2"	1/2"
MW-2101010	1/2"	3/4"
MW-2101011	3/4"	3/4"

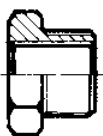
Adapter, male tapered thread		
		
<b>A 2</b>		
code	thread size	thread size
MW-2102001	1/8"	1/8"
MW-2102002	1/8"	1/4"
MW-2102003	1/8"	3/8"
MW-2102004	1/4"	1/4"
MW-2102005	1/4"	3/8"
MW-2102006	1/4"	1/2"
MW-2102007	3/8"	3/8"
MW-2102008	3/8"	1/2"
MW-2102009	1/2"	1/2"
MW-2102010	1/2"	3/4"
MW-2102011	3/4"	3/4"

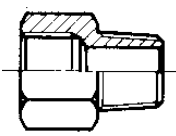
Adapter, female thread	
	
<b>A 3</b>	
code	thread size
MW-2103000	M5
MW-2103001	1/8"
MW-2103002	1/4"
MW-2103003	3/8"
MW-2103004	1/2"

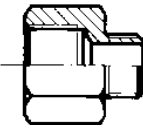
Adapter, male tapered / female thread		
		
<b>A 4</b>		
code	male thread size	female thread size
MW-2104001	1/4"	1/8"
MW-2104002	3/8"	1/8"
MW-2104003	3/8"	1/4"
MW-2104004	1/2"	1/4"
MW-2104005	1/2"	3/8"
MW-2104006	3/4"	1/2"

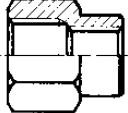
# INDUSTRIAL PNEUMATICS - fittings

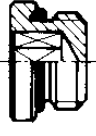
## Threaded fittings - A series

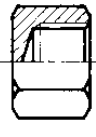
Adapter, male / female thread		
		
<b>A 4/Z</b>		
code	male thread size	female thread size
MW-2151000	1/8"	M5
MW-2151001	1/4"	1/8"
MW-2151002	3/8"	1/8"
MW-2151003	3/8"	1/4"
MW-2151004	1/2"	1/4"
MW-2151005	1/2"	3/8"

Adapter, male tapered / female thread		
		
<b>A 5</b>		
code	male thread size	female thread size
MW-2105001	1/8"	1/8"
MW-2105002	1/8"	1/4"
MW-2105003	1/4"	1/4"
MW-2105004	1/4"	3/8"
MW-2105005	3/8"	3/8"
MW-2105006	3/8"	1/2"
MW-2105007	1/2"	1/2"

Adapter, male / female thread		
		
<b>A 5/Z</b>		
code	male thread size	female thread size
MW-2152001	M5	1/8"
MW-2152002	1/8"	1/8"
MW-2152003	1/8"	1/4"
MW-2152004	1/4"	1/4"
MW-2152005	1/4"	3/8"
MW-2152006	3/8"	3/8"
MW-2152007	3/8"	1/2"
MW-2152008	1/2"	1/2"

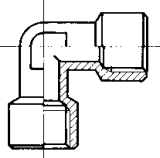
Adapter, female thread		
		
<b>A 6</b>		
code	thread size	thread size
MW-2106001	1/8"	1/4"
MW-2106002	1/8"	3/8"
MW-2106003	1/4"	3/8"
MW-2106004	1/4"	1/2"
MW-2106005	3/8"	1/2"

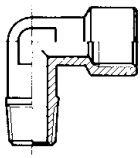
Plug, male thread	
	
<b>A 7</b>	
code	thread size
MW-2107000	M5
MW-2107001	1/8"
MW-2107002	1/4"
MW-2107003	3/8"
MW-2107004	1/2"
MW-2107005	M7

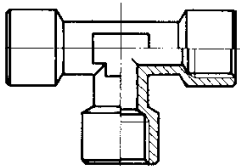
End cap, female thread	
	
<b>A 8</b>	
code	thread size
MW-2108001	1/8"
MW-2108002	1/4"
MW-2108003	3/8"
MW-2108004	1/2"

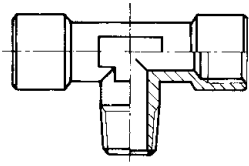
# INDUSTRIAL PNEUMATICS - fittings

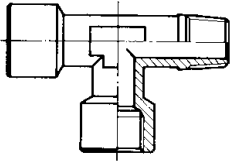
## Threaded fittings - A series

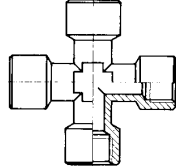
90° elbow, female thread	
	
<b>A 9</b>	
code	thread size
MW-2109001	1/8"
MW-2109002	1/4"
MW-2109003	3/8"
MW-2109004	1/2"

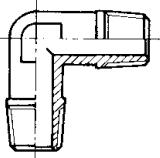
90° elbow, male tapered / female thread		
		
<b>A 10</b>		
code	male thread size	female thread size
MW-2110001	1/8"	1/8"
MW-2110002	1/4"	1/4"
MW-2110003	3/8"	3/8"
MW-2110004	1/2"	1/2"

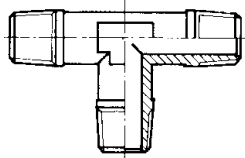
Tee adapter, female thread	
	
<b>A 11</b>	
code	thread size
MW-2111001	1/8"
MW-2111002	1/4"
MW-2111003	3/8"
MW-2111004	1/2"

Tee adapter, male tapered / female thread		
		
<b>A 12</b>		
code	male thread size	female thread size
MW-2112001	1/8"	1/8"
MW-2112002	1/4"	1/4"
MW-2112003	3/8"	3/8"
MW-2112004	1/2"	1/2"

Tee adapter, male tapered / female thread		
		
<b>A 13</b>		
code	male thread size	thread size
MW-2113001	1/8"	1/8"
MW-2113002	1/4"	1/4"
MW-2113003	3/8"	3/8"
MW-2113004	1/2"	1/2"

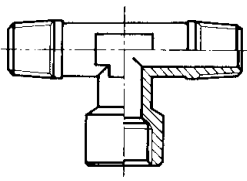
Cross adapter, female thread	
	
<b>A 14</b>	
code	thread size
MW-2114001	1/8"
MW-2114002	1/4"
MW-2114003	3/8"

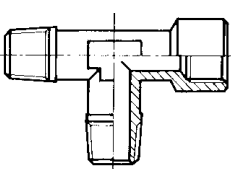
90° elbow, male tapered thread	
	
<b>A 15</b>	
code	thread size
MW-2115001	1/8"
MW-2115002	1/4"
MW-2115003	3/8"
MW-2115004	1/2"

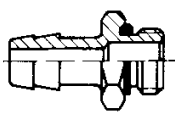
Tee adapter, male tapered thread	
	
<b>A 16</b>	
code	thread size
MW-2116001	1/8"
MW-2116002	1/4"
MW-2116003	3/8"
MW-2116004	1/2"

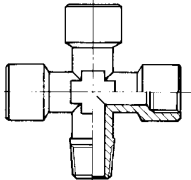
# INDUSTRIAL PNEUMATICS - fittings

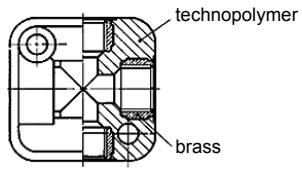
## Threaded fittings - A series

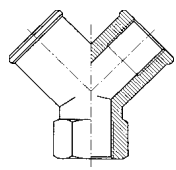
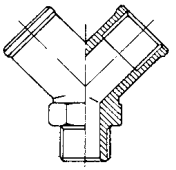
Tee adapter, male tapered / female thread		
		
<b>A 17</b>		
code	male thread size	female thread size
MW-2117001	1/4"	1/4"
MW-2117002	1/8"	1/8"
MW-2117003	3/8"	3/8"
MW-2117004	1/2"	1/2"

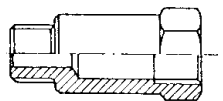
Tee adapter, male tapered / female thread		
		
<b>A 18</b>		
code	male thread size	female thread size
MW-2118000	1/8"	1/8"
MW-2118001	1/4"	1/4"
MW-2118002	3/8"	3/8"
MW-2118003	1/2"	1/2"

Hose fitting with male thread		
		
<b>A 19</b>		
code	fitting diameter [mm]	male thread size
MW-2119001	7	1/8"
MW-2119002	7	1/4"
MW-2119003	8	1/8"
MW-2119004	9	1/8"
MW-2119005	9	1/4"
MW-2119006	9	3/8"
MW-2119007	12	1/4"
MW-2119008	12	3/8"
MW-2119009	12	1/2"
MW-2119010	17	3/8"
MW-2119011	17	1/2"

Cross adapter, male tapered / female thread		
		
<b>A 20</b>		
code	male thread size	female thread size
MW-2120001	1/8"	1/8"
MW-2120002	1/4"	1/4"

Connection block 13 bar, 50°C		
		
<b>A 21</b>		
code	thread size.	H x L dimensions [mm]
MW-2121001	1/8"	17.5 x 31
MW-2121002	1/4"	24 x 40
MW-2121003	3/8"	28 x 50
MW-2121004	1/2"	35 x 50


Tee adapter	
	
<b>A 23</b>	<b>A 24</b>
code	thread size.
A 23	
MW-2123001	1/8"
MW-2123002	1/4"
MW-2123003	3/8"
MW-2123004	1/2"
A 24	
MW-2124001	1/8"
MW-2124002	1/4"
MW-2124003	3/8"
MW-2124004	1/2"


Adapter, male / female thread		
		
<b>A 25</b>		
code	thread size.	length [mm]
MW-2150003	1/8"	22
MW-2150004	1/8"	42
MW-2150005	1/8"	51
MW-2150006	1/4"	35
MW-2150007	1/4"	51


# INDUSTRIAL PNEUMATICS - fittings


## Stainless steel threaded fittings


**Material:** AISI 316L  
**Working press.:** 140 bar  
**Working temp.:** From -20°C up to +225°C


Nipple, male thread			
			
<b>62000</b>			
code	thread size [inch]	length [mm]	spanner size [mm]
AI-62000-02	1/8	19.5	11
AI-62000-04	1/4	27	14
AI-62000-06	3/8	28	17
AI-62000-08	1/2	33.5	22
AI-62000-12	3/4	40	27

Reducing nipple, male thread				
				
<b>62020</b>				
code	thread size 1 [inch]	thread size 2 [inch]	length [mm]	spanner size [mm]
AI-62020-02-04	1/8	1/4	23.5	14
AI-62020-02-06	1/8	3/8	24	17
AI-62020-04-06	1/4	3/8	27.5	17
AI-62020-04-08	1/4	1/2	30.5	22
AI-62020-06-08	3/8	1/2	31	22
AI-62020-08-12	1/2	3/4	37.5	27

Reducing adapter, male / female thread				
				
<b>62040</b>				
code	thread size 1 [inch]	thread size 2 [inch]	length [mm]	spanner size [mm]
AI-62040-02-04	1/8	1/4	22	17
AI-62040-04-06	1/4	3/8	27	22
AI-62040-04-08	1/4	1/2	30	24
AI-62040-06-08	3/8	1/2	30.5	24
AI-62040-08-12	1/2	3/4	35	32

Reducing adapter, female / male thread				
				
<b>62080</b>				
code	thread size 1 [inch]	thread size 2 [inch]	length [mm]	spanner size [mm]
AI-62080-04-02	1/4	1/8	16	14
AI-62080-06-02	3/8	1/8	16.5	17
AI-62080-06-04	3/8	1/4	16.5	17
AI-62080-08-04	1/2	1/4	19.5	22
AI-62080-08-06	1/2	3/8	19.5	22
AI-62080-12-08	3/4	1/2	23.5	27

Muff, female thread			
			
<b>62300</b>			
code	thread size [inch]	length [mm]	spanner size [mm]
AI-62300-02	1/8	15	14
AI-62300-04	1/4	22	17
AI-62300-06	3/8	24	22
AI-62300-08	1/2	30	27
AI-62300-12	3/4	32	32

Reducing muff, female thread				
				
<b>62310</b>				
code	thread size 1 [inch]	thread size 2 [inch]	length [mm]	spanner size [mm]
AI-62310-02-04	1/8	1/4	19	17
AI-62310-04-06	1/4	3/8	23	22
AI-62310-06-08	3/8	1/2	27.5	24
AI-62310-08-12	1/2	3/4	30	30

# INDUSTRIAL PNEUMATICS - fittings

## Stainless steel threaded fittings

Plug, male thread



**62320**

code	thread size [inch]	length [mm]	spanner size [mm]
AI-62320-02	1/8	10	14
AI-62320-04	1/4	13	17
AI-62320-06	3/8	13.5	19
AI-62320-08	1/2	14.5	24
AI-62320-12	3/4	16	30

Tee, female thread



**62400**

code	thread size [inch]	spanner size [mm]
AI-62400-02	1/8	12
AI-62400-04	1/4	12
AI-62400-06	3/8	15
AI-62400-08	1/2	20

Tee, male / female thread



**62440**

code	thread size [inch]	spanner size [mm]
AI-62440-02	1/8	12
AI-62440-04	1/4	12
AI-62440-06	3/8	15
AI-62440-08	1/2	20

Tee, male / female thread



**62450**

code	thread size [inch]	spanner size [mm]
AI-62450-02	1/8	12
AI-62450-04	1/4	12
AI-62450-06	3/8	15
AI-62450-08	1/2	20

90° elbow, female thread



**62510**

code	thread size [inch]	spanner size [mm]
AI-62510-02	1/8	12
AI-62510-04	1/4	12
AI-62510-06	3/8	15
AI-62510-08	1/2	20

90° elbow, male / female thread



**62520**

code	thread size [inch]	spanner size [mm]
AI-62520-02	1/8	12
AI-62520-04	1/4	12
AI-62520-06	3/8	15
AI-62520-08	1/2	20

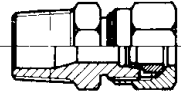
# INDUSTRIAL PNEUMATICS - fittings

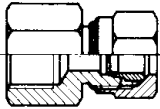
## Fittings with cutting ring - B series




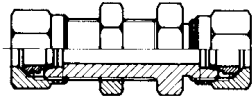
**Material:** Nickel-plated brass  
**Working press.:** Up to 60 bar

Fittings with a cutting ring are designed to connect copper pipes and hoses made of plastic. It is recommended to use an internal bush (B 12) if the fitting connects with the hose.

Straight connection, male tapered thread		
		
<b>B 1</b>		
code	hose O.D. / I.D.	thread size
MW-2201001	4/2	1/8"
MW-2201002	6/4	1/8"
MW-2201003	6/4	1/4"
MW-2201004	8/6	1/8"
MW-2201005	8/6	1/4"
MW-2201006	8/6	3/8"
MW-2201007	10/8	1/4"
MW-2201008	10/8	3/8"
MW-2201009	10/8	1/2"
MW-2201010	12/10	3/8"
MW-2201011	12/10	1/2"
MW-2201012	15/12	1/2"

Straight connection, female thread		
		
<b>B 2</b>		
code	hose O.D. / I.D.	thread size
MW-2202001	6/4	1/8"
MW-2202002	6/4	1/4"
MW-2202003	8/6	1/8"
MW-2202004	8/6	1/4"
MW-2202005	8/6	3/8"
MW-2202006	10/8	1/4"
MW-2202007	10/8	3/8"

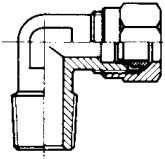
Straight connector	
	
<b>B 3</b>	
code	hose O.D. / I.D.
MW-2203001	4/2
MW-2203002	6/4
MW-2203003	8/6
MW-2203004	10/8
MW-2203005	12/10
MW-2203006	15/12

Straight bulkhead connector	
	
<b>B 4</b>	
code	hose O.D. / I.D.
MW-2204001	6/4
MW-2204002	8/6
MW-2204003	10/8
MW-2204004	12/10
MW-2204005	15/12

# INDUSTRIAL PNEUMATICS - fittings

## Fittings with cutting ring - B series

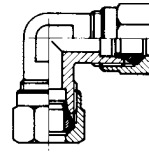
90° elbow connection, male tapered thread



**B 5**

code	hose O.D. / I.D.	thread size
MW-2205001	4/2	1/8"
MW-2205002	6/4	1/8"
MW-2205003	6/4	1/4"
MW-2205004	8/6	1/8"
MW-2205005	8/6	1/4"
MW-2205006	8/6	3/8"
MW-2205007	10/8	1/4"
MW-2205008	10/8	3/8"
MW-2205009	10/8	1/2"
MW-2205010	12/10	3/8"
MW-2205011	12/10	1/2"
MW-2205012	15/12	1/2"

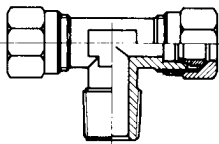
90° elbow connector



**B 6**

code	hose O.D. / I.D.
MW-2206001	4/2
MW-2206002	6/4
MW-2206003	8/6
MW-2206004	10/8
MW-2206005	12/10
MW-2206006	15/12

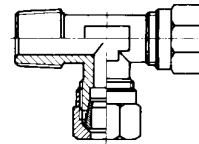
Tee connection, male tapered thread



**B 7**

code	hose O.D. / I.D.	thread size
MW-2207001	4/2	1/8"
MW-2207002	6/4	1/8"
MW-2207003	6/4	1/4"
MW-2207004	8/6	1/8"
MW-2207005	8/6	1/4"
MW-2207006	8/6	3/8"
MW-2207007	10/8	1/4"
MW-2207008	10/8	3/8"
MW-2207010	12/10	3/8"
MW-2207011	12/10	1/2"
MW-2207012	15/12	1/2"

Tee connection, male tapered thread



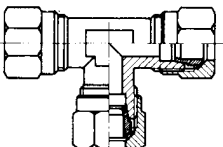
**B 8**


code	hose O.D. / I.D.	thread size
MW-2208000	4/2	1/8"
MW-2208001	6/4	1/8"
MW-2208002	6/4	1/4"
MW-2208003	8/6	1/8"
MW-2208004	8/6	1/4"
MW-2208005	8/6	3/8"
MW-2208006	10/8	1/4"
MW-2208007	10/8	3/8"
MW-2208009	12/10	3/8"
MW-2208010	12/10	1/2"
MW-2208011	15/12	1/2"

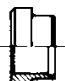


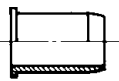
# INDUSTRIAL PNEUMATICS - fittings

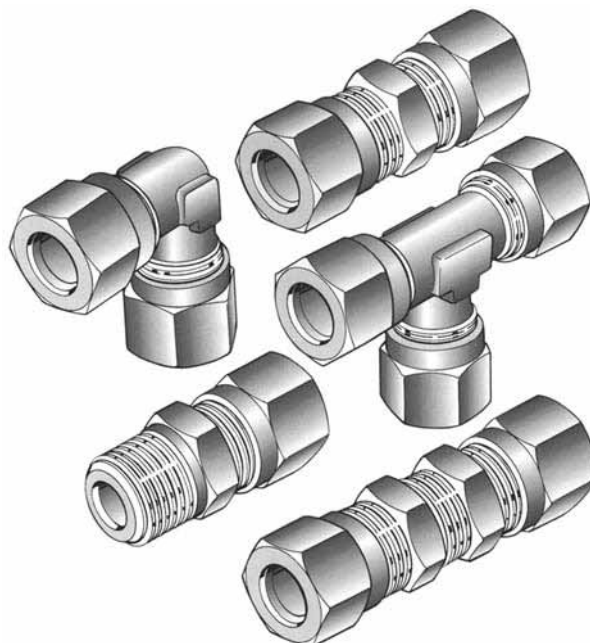
## Fittings with cutting ring - B series

Tee connector	
	
<b>B 9</b>	
code	hose O.D. / I.D.
MW-2209001	4/2
MW-2209002	6/4
MW-2209003	8/6
MW-2209004	10/8
MW-2209005	12/10
MW-2209006	15/12

Nut		
		
<b>B 10</b>		
code	hose O.D. / I.D.	thread size
MW-2210001	4/2	M8x1
MW-2210002	6/4	M10x1
MW-2210003	8/6	M12x1
MW-2210004	10/8	M16x1.5
MW-2210005	12/10	M18x1.5
MW-2210006	15/12	M22x1.5

Cutting ring	
	
<b>B 11</b>	
code	hose O.D. / I.D.
MW-2211001	4/2
MW-2211002	6/4
MW-2211003	8/6
MW-2211004	10/8
MW-2211005	12/10
MW-2211006	15/12

Reinforcing sleeve	
	
<b>B 12</b>	
code	hose O.D. / I.D.
MW-2212001	6/4
MW-2212002	8/6
MW-2212003	10/8
MW-2212004	12/10
MW-2212005	15/12



# INDUSTRIAL PNEUMATICS - fittings

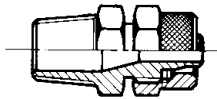
## Tubular fittings - C series



**Material:** Nickel-plated brass  
**Working press.:** Up to 18 bar

Tubular fittings are designed to connect hoses made of soft plastic materials. To assemble the fitting, the hose must be pushed onto the fitting and tightened up with the nut.

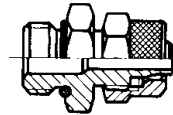
Straight connection, male tapered thread



**C 1**

code	hose O.D. / I.D.	thread size
MW-2301017	5/3	1/8"
MW-2301001	6/4	1/8"
MW-2301002	6/4	1/4"
MW-2301003	8/6	1/8"
MW-2301004	8/6	1/4"
MW-2301005	8/6	3/8"
MW-2301020	10/8	1/8"
MW-2301006	10/8	1/4"
MW-2301007	10/8	3/8"
MW-2301008	10/8	1/2"
MW-2301009	12/10	3/8"
MW-2301010	12/10	1/2"
MW-2301015	15/12.5	1/2"

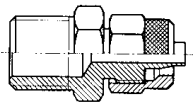
Straight connection, male thread



**C 1/2**

code	hose O.D. / I.D.	thread size
MW-2351001	4/2	M5
MW-2351002	6/4	M5
MW-2351003	6/4	1/8"
MW-2351004	6/4	1/4"
MW-2351005	8/6	1/8"
MW-2351006	8/6	1/4"
MW-2351007	8/6	3/8"
MW-2351008	10/8	1/4"
MW-2351009	10/8	3/8"
MW-2351010	10/8	1/2"
MW-2351011	12/10	3/8"
MW-2351012	12/10	1/2"

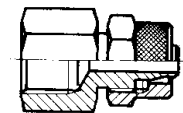
Straight connection, male thread



**C 1/C**

code	hose O.D. / I.D.	thread size
MW-2356001	5/3	M5
MW-2356002	6/4	M6
MW-2356003	6/4	M12x1.5
MW-2356004	6/4	3/8"
MW-2356005	8/6	M12x1.5

Straight connection, female thread

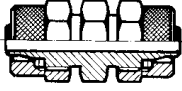


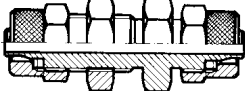
**C 2**

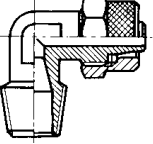
code	hose O.D. / I.D.	thread size
MW-2302001	6/4	1/8"
MW-2302002	6/4	1/4"
MW-2302012	6/4	3/8"
MW-2302003	8/6	1/8"
MW-2302004	8/6	1/4"
MW-2302005	8/6	3/8"
MW-2302006	10/8	1/4"
MW-2302007	10/8	3/8"
MW-2302008	10/8	1/2"

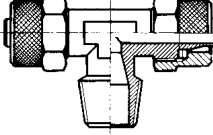
# INDUSTRIAL PNEUMATICS - fittings

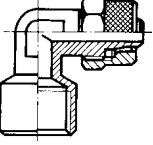
## Tubular fittings - C series

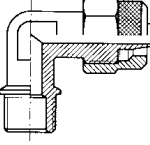
Straight connector	
	
<b>C 3</b>	
code	hose O.D. / I.D.
MW-2303001	6/4
MW-2303002	8/6
MW-2303003	10/8
MW-2303004	12/10

Straight bulkhead connector	
	
<b>C 4</b>	
code	hose O.D. / I.D.
MW-2304001	6/4
MW-2304002	8/6
MW-2304003	10/8
MW-2304004	12/10

90° elbow connection, male tapered thread		
		
<b>C 5</b>		
code	hose O.D. / I.D.	thread size
MW-2305016	5/3	1/8"
MW-2305001	6/4	1/8"
MW-2305002	6/4	1/4"
MW-2305003	8/6	1/8"
MW-2305004	8/6	1/4"
MW-2305005	8/6	3/8"
MW-2305006	10/8	1/4"
MW-2305007	10/8	3/8"
MW-2305008	10/8	1/2"
MW-2305009	12/10	3/8"
MW-2305010	12/10	1/2"
MW-2305017	15/12.5	1/2"

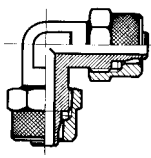
Tee connection, male tapered thread		
		
<b>C 7</b>		
code	hose O.D. / I.D.	thread size
MW-2307015	5/3	1/8"
MW-2307001	6/4	1/8"
MW-2307002	6/4	1/4"
MW-2307003	8/6	1/8"
MW-2307004	8/6	1/4"
MW-2307005	8/6	3/8"
MW-2307006	10/8	1/4"
MW-2307007	10/8	3/8"
MW-2307008	10/8	1/2"
MW-2307009	12/10	3/8"
MW-2307010	12/10	1/2"
MW-2307016	15/12.5	1/2"

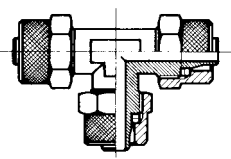
90° elbow connection, female thread		
		
<b>C5/F</b>		
code	hose O.D. / I.D.	thread size
MW-2352001	6/4	1/8"
MW-2352002	8/6	1/4"

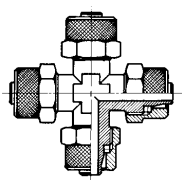
90° elbow connection, male thread		
		
<b>C 5/C</b>		
code	hose O.D. / I.D.	thread size
MW-2357001	6/4	M12x1.5
MW-2357002	8/6	M12x1.5

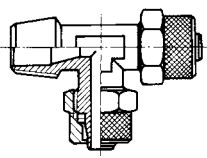
# INDUSTRIAL PNEUMATICS - fittings

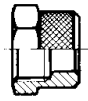
## Tubular fittings - C series

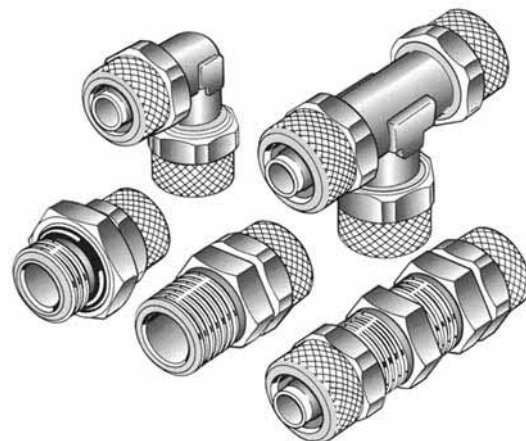
90° elbow connector	
	
<b>C 6</b>	
code	hose O.D. / I.D.
MW-2306001	6/4
MW-2306002	8/6
MW-2306003	10/8
MW-2306004	12/10
MW-2306006	15/12.5

Tee connector	
	
<b>C 9</b>	
code	hose O.D. / I.D.
MW-2309001	6/4
MW-2309002	8/6
MW-2309003	10/8
MW-2309004	12/10
MW-2309007	15/12.5

Cross connector	
	
<b>C 11</b>	
code	hose O.D. / I.D.
MW-2311001	6/4
MW-2311002	8/6
MW-2311003	10/8

Tee connection, male tapered thread		
		
<b>C 8</b>		
code	hose O.D. / I.D.	thread size
MW-2308012	5/3	1/8"
MW-2308001	6/4	1/8"
MW-2308002	6/4	1/4"
MW-2308003	8/6	1/8"
MW-2308004	8/6	1/4"
MW-2308005	8/6	3/8"
MW-2308006	10/8	1/4"
MW-2308007	10/8	3/8"
MW-2308008	10/8	1/2"
MW-2308009	12/10	3/8"
MW-2308010	12/10	1/2"

Nut		
		
<b>C 10</b>		
code	hose O.D. / I.D.	thread size
MW-2310001	4/2	M7x0.5
MW-2310009	5/3	M7x0.5
MW-2310002	6/4	M8x0.5
MW-2310010	6/4	M8x0.75
MW-2310003	6/4	M10x1
MW-2310004	8/6	M12x1
MW-2310005	10/8	M14x1
MW-2310006	12/10	M16x1
MW-2310011	15/12.5	M20x1



# INDUSTRIAL PNEUMATICS - fittings

## BANJO fittings - D series



**Material:** Nickel-plated brass  
**Working press.:** Up to 18 bar

BANJO fittings enable connection in any required position. D series includes: fittings with cutting rings (D 17), female threads (D 12), tubular ends (D 5, D 6) and BANJO passing through bolts. Bolts can also be used for connection of BANJO fittings from R series (R 13, R 14, R 28 and R 29).

BANJO 90° fitting (body)		
<b>D 5</b>		
code	hose O.D. / I.D.	bolt hole
MW-2405000	4/2	M5
MW-2405013	5/3	1/8"
MW-2405018	5/3	M5
MW-2405001	6/4	M5
MW-2405002	6/4	1/8"
MW-2405003	6/4	1/4"
MW-2405005	8/6	1/8"
MW-2405006	8/6	1/4"
MW-2405007	8/6	3/8"
MW-2405009	10/8	1/4"
MW-2405010	10/8	3/8"
MW-2405011	10/8	1/2"
MW-2405017	12/10	3/8"
MW-2405012	12/10	1/2"

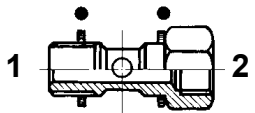
BANJO tee (body)		
<b>D 6</b>		
code	hose O.D. / I.D.	bolt hole
MW-2406001	6/4	1/8"
MW-2406002	6/4	1/4"
MW-2406004	8/6	1/8"
MW-2406005	8/6	1/4"
MW-2406006	8/6	3/8"
MW-2406008	10/8	1/4"
MW-2406009	10/8	3/8"
MW-2406010	10/8	1/2"
MW-2406011	12/10	1/2"

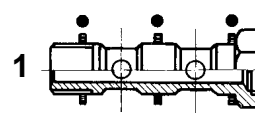
BANJO bolt	
<b>D 7</b>	
code	thread size
with washer (R13, R14, D12, D17, D5, D6)	
MW-2407001	M5
MW-2407002	1/8"
MW-2407003	1/4"
MW-2407004	3/8"
MW-2407005	1/2"
MW-2407006	M12x1.5
with O-ring (R28, R29)	
MW-2407102	1/8"
MW-2407103	1/4"
MW-2407104	3/8"


BANJO double bolt	
<b>D 8</b>	
code	thread size
with washer (R13, R14, D12, D17, D5, D6)	
MW-2408001	1/8"
MW-2408002	1/4"
MW-2408003	3/8"
MW-2408004	1/2"
with O-ring (R28, R29)	
MW-2408102	1/8"
MW-2408103	1/4"
MW-2408104	3/8"

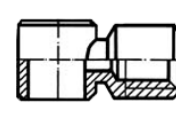
# INDUSTRIAL PNEUMATICS - fittings

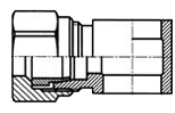
## BANJO fittings - D series

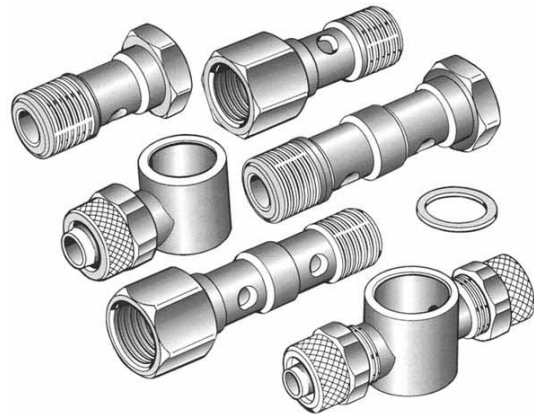
BANJO bolt + female thread		
		
<b>D 9</b>		
code	thread size 1	thread size 2
with washer (R13, R14, D12, D17, D5, D6)		
MW-2409001	1/8"	1/8"
MW-2409002	1/4"	1/4"
MW-2409003	3/8"	3/8"
MW-2409004	1/2"	1/2"
with O-ring (R28, R29)		
MW-2409102	1/8"	1/8"
MW-2409103	1/4"	1/4"
MW-2409104	3/8"	3/8"

BANJO double bolt + female thread		
		
<b>D 10</b>		
code	thread size 1	thread size 2
with washer (R13, R14, D12, D17, D5, D6)		
MW-2410001	1/8"	1/8"
MW-2410002	1/4"	1/4"
MW-2410003	3/8"	3/8"
MW-2410004	1/2"	1/2"
with O-ring (R28, R29)		
MW-2410102	1/8"	1/8"
MW-2410103	1/4"	1/4"
MW-2410104	3/8"	3/8"

Aluminium washer	
	
<b>D 11</b>	
code	bolt hole
MW-2411001	M5 (polyamide)
MW-2411002	1/8"
MW-2411003	1/4"
MW-2411004	3/8"
MW-2411005	1/2"

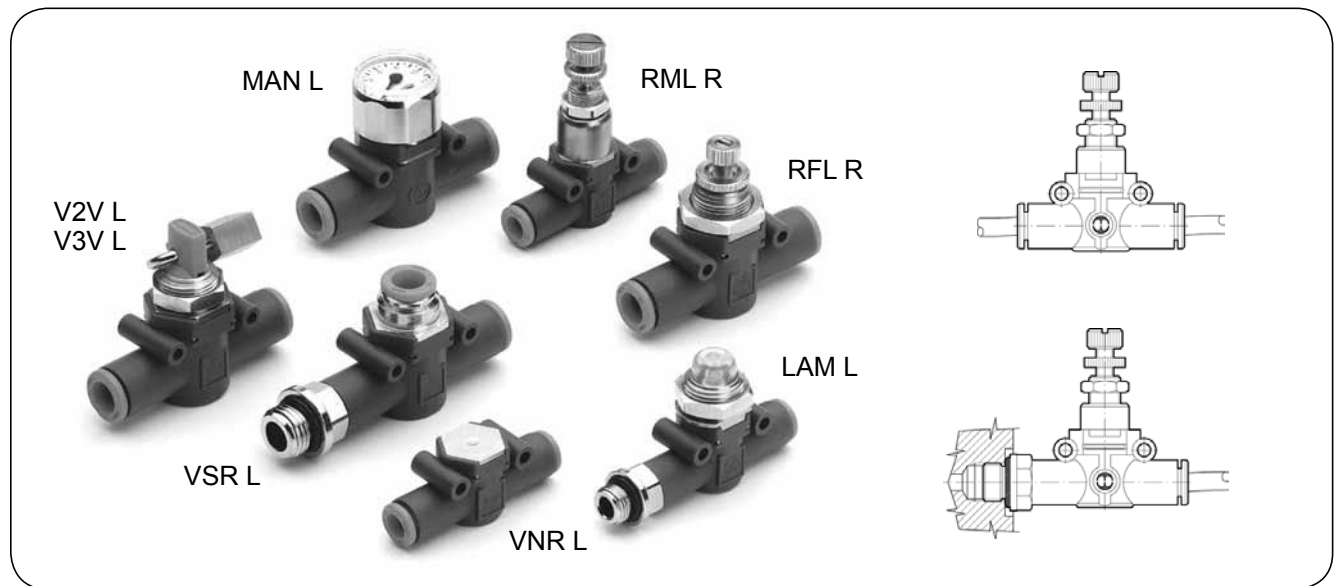
90° BANJO fitting (body) with female thread		
		
<b>D 12</b>		
code	thread size	bolt hole
MW-2412001	1/8"	1/8"
MW-2412002	1/4"	1/4"
MW-2412003	3/8"	3/8"

90° BANJO fitting (body)		
		
<b>D 17</b>		
code	hose O.D. / I.D.	bolt hole
MW-2417006	4/2	1/8"
MW-2417002	6/4	1/8"
MW-2417003	6/4	1/4"
MW-2417004	8/6	1/8"
MW-2417005	8/6	1/4"

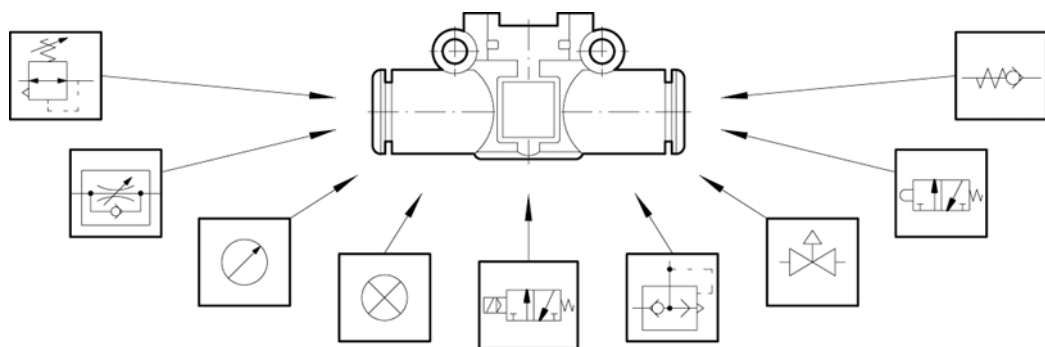


# INDUSTRIAL PNEUMATICS - fittings

## LINE ON LINE range of products



Line on Line is an exclusive range of products designed for pneumatic systems. They feature high effectiveness, small dimensions and compact design. The modularity of their construction allows parallel, serial or combined parallel-serial connection. Available with two FOX push-in fittings (for pipe-pipe connection), or with a male thread and a FOX push-in fitting (for thread-pipe connection). Threaded connections are made of nickel-plated brass and the body of technopolymer, which make these connectors very lightweight. Using LINE ON LINE family connectors, any pneumatic function can be realized at any point of the system. Permanent marking of the body with a function symbol and flow direction facilitates identification and assembly.



Line on Line family connectors consists of the following products:

- RFL R - throttle check valves, regulate the air flow stream, used e.g. to regulate speed in pneumatic actuators,
- RML R (RMC, RMS) - miniature pressure reducing valves, regulates air pressure in the system,
- VSR L - quick drain valves,
- VNR L - check valves,
- V2V L and V3V L - shut-off valves,
- MAN L - connector with pressure gauge,
- LAM L - pneumatic pressure indicator,
- SOV L - solenoid valves.