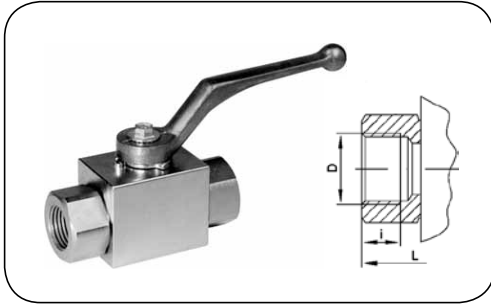


## HIGH PRESSURE - valves

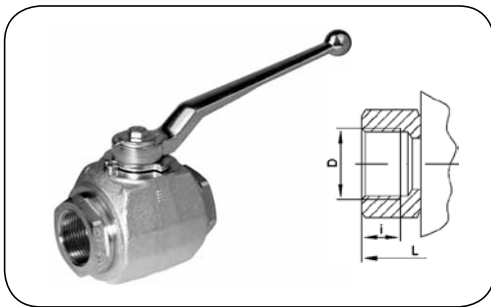


### Ball valve BKH BSP/NPT

<b>Material:</b>	Body	- steel
	Ball	- steel
	Stem	- steel
<b>Seals:</b>	Ball	- PA or PTFE
	Stem	- NBR or FKM
<b>Working temp.:</b>	PA	- (from -40°C up to +100°C)
	PTFE	- (from -200°C up to +250°C)
	NBR	- (from -20°C up to +100°C)
	FKM	- (from -20°C up to +200°C)

2-way ball valve with BSP or NPT female thread designed for high pressure hydraulic or industrial applications. For proper choice of a valve for fluids other than hydraulic oil or for high working temperatures, please contact TUBES INTERNATIONAL® Sales or Technical Department.

code (PA/NBR seal)	code (PTFE/FKM seal)	DN [mm]	thread size D [inch]	work. press. (PA/NBR) [bar]	work. press. (PTFE/FKM) [bar]	valve length L [mm]	weight [kg]
HZ-BKH-G-02	HZ-BKH-G-02-T-V	4	1/8 BSP	500	100	69	0.35
HZ-BKH-G-04	HZ-BKH-G-04-T-V	6	1/4 BSP	500	100	69	0.35
HZ-BKH-G-06	HZ-BKH-G-06-T-V	10	3/8 BSP	500	100	73	0.50
HZ-BKH-G-08	HZ-BKH-G-08-T-V	13	1/2 BSP	500	100	85	0.65
HZ-BKH-G-12	HZ-BKH-G-12-T-V	20	3/4 BSP	400	100	96	1.50
HZ-BKH-G-16	HZ-BKH-G-16-T-V	25	1 BSP	350	100	113	2.00
HZ-BKH-N-02	-	4	1/8 NPT	500	-	69	0.35
HZ-BKH-N-04	-	6	1/4 NPT	500	-	69	0.35
HZ-BKH-N-06	-	10	3/8 NPT	500	-	73	0.50
HZ-BKH-N-08	-	13	1/2 NPT	500	-	92	0.65
HZ-BKH-N-12	-	20	3/4 NPT	400	-	97	1.50
HZ-BKH-N-16	-	25	1 NPT	350	-	113	2.00



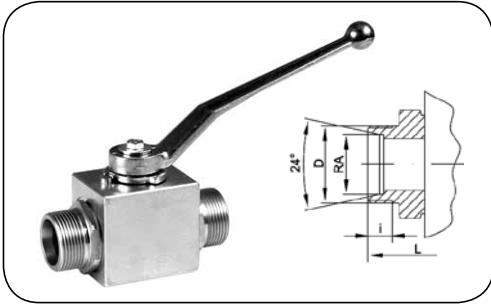
### Ball valve SKH BSP

<b>Material:</b>	Body	- steel
	Ball	- steel
	Stem	- steel
<b>Seals:</b>	Ball	- POM or PTFE
	Stem	- NBR or FKM
<b>Working temp.:</b>	POM	- (from -40°C up to +100°C)
	PTFE	- (from -200°C up to +250°C)
	NBR	- (from -20°C up to +100°C)
	FKM	- (from -20°C up to +200°C)

2-way ball valve with BSP female thread designed for high pressure hydraulic or industrial applications. For proper choice of a valve for fluids other than hydraulic oil or for high working temperatures, please contact TUBES INTERNATIONAL® Sales or Technical Department.

code (POM/NBR seal)	code (PTFE/FKM seal)	DN [mm]	thread size D [inch]	work. press. (POM/NBR) [bar]	work. press. (PTFE/FKM) [bar]	valve length L [mm]	weight [kg]
HZ-SKH-G-20	HZ-SKH-G-20-T-V	32	1.1/4 BSP	400	63	110	3.20
HZ-SKH-G-24	HZ-SKH-G-24-T-V	40	1.1/2 BSP	400	63	120	4.00
HZ-SKH-G-32	HZ-SKH-G-32-T-V	50	2 BSP	400	63	140	5.90

# HIGH PRESSURE - valves

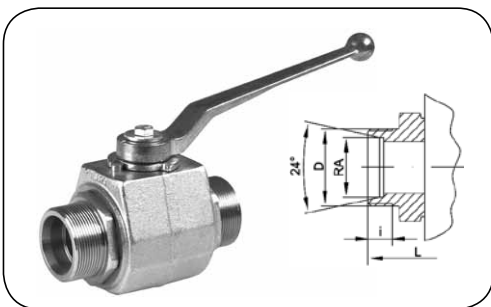


## Ball valve BKH L/S

<b>Material:</b>	Body	- steel
	Ball	- steel
	Stem	- steel
<b>Seals:</b>	Ball	- PA
	Stem	- NBR
	<b>Working temp.:</b>	PA
	NBR	- (from -20°C up to +100°C)

2-way ball valve with metric male thread, designed for high pressure hydraulic applications.

code	DN [mm]	thread size D [mm]	pipe diam. RA [mm]	working pressure [bar]	valve length L [mm]	weight [kg]
HZ-BKH-06L	4	M12x1.5	6	500	67	0.30
HZ-BKH-08L	6	M14x1.5	8	500	67	0.30
HZ-BKH-10L	8	M16x1.5	10	500	71	0.30
HZ-BKH-12L	10	M18x1.5	12	500	75	0.50
HZ-BKH-15L	13	M22x1.5	15	500	84	0.60
HZ-BKH-18L	13	M26x1.5	18	500	84	0.60
HZ-BKH-22L	20	M30x2	22	400	102	1.50
HZ-BKH-28L	25	M36x2	28	350	108	2.00
HZ-BKH-08S	4	M16x1.5	8	500	73	0.35
HZ-BKH-10S	6	M18x1.5	10	500	73	0.35
HZ-BKH-12S	8	M20x1.5	12	500	77	0.35
HZ-BKH-14S	10	M22x1.5	14	500	84	0.50
HZ-BKH-16S	13	M24x1.5	16	500	87	0.60
HZ-BKH-20S	13	M30x2	20	500	91	0.65
HZ-BKH-25S	20	M36x2	25	400	110	1.50
HZ-BKH-30S	25	M42x2	30	350	120	2.10



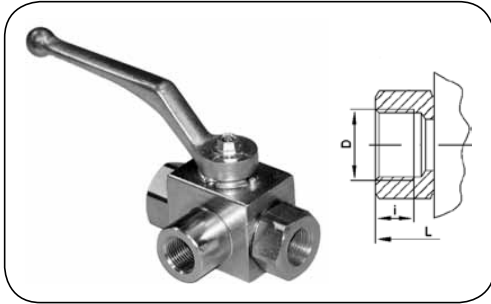
## Ball valve SKH L/S

<b>Material:</b>	Body	- steel
	Ball	- steel
	Stem	- steel
<b>Seals:</b>	Ball	- POM
	Stem	- NBR
	<b>Working temp.:</b>	POM
	NBR	- (from -20°C up to +100°C)

2-way ball valve with metric male thread, designed for high pressure hydraulic applications.

code	DN [mm]	thread size D [mm]	pipe diam. RA [mm]	working pressure [bar]	valve length L [mm]	weight [kg]
HZ-SKH-35L	32	M45x2	35	400	128	3.00
HZ-SKH-42L	40	M52x2	42	400	133	3.80
HZ-SKH-38S	32	M52x2	38	400	140	3.10

## HIGH PRESSURE - valves

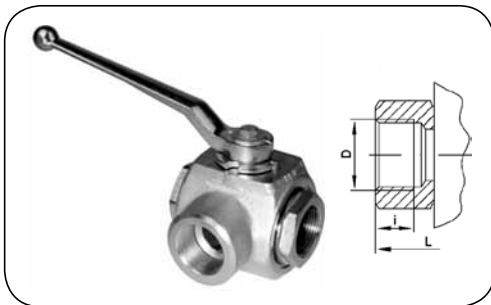


### Ball valve BK3L BSP/NPT

<b>Material:</b>	Body	- steel
	Ball	- steel
	Stem	- steel
<b>Seals:</b>	Ball	- POM
	Stem	- NBR
<b>Working temp.:</b>	POM	- (from -40°C up to +100°C)
	NBR	- (from -20°C up to +100°C)

3-way (L type) ball valve with BSP or NPT female thread, designed for high pressure hydraulic applications.

code	DN [mm]	thread size D [inch]	working pressure [bar]	length L [mm]	weight [kg]
HZ-BK3L-G-02	4	1/8 BSP	400	69	0.40
HZ-BK3L-G-04	6	1/4 BSP	400	69	0.40
HZ-BK3L-G-06	10	3/8 BSP	400	73	0.55
HZ-BK3L-G-08	13	1/2 BSP	350	85	0.70
HZ-BK3L-N-02	4	1/8 NPT	400	69	0.40
HZ-BK3L-N-04	6	1/4 NPT	400	69	0.40
HZ-BK3L-N-06	10	3/8 NPT	400	73	0.55
HZ-BK3L-N-08	13	1/2 NPT	350	92	0.70
HZ-BK3L-N-12	20	3/4 NPT	350	97	1.55
HZ-BK3L-N-16	25	1 NPT	350	113	2.10



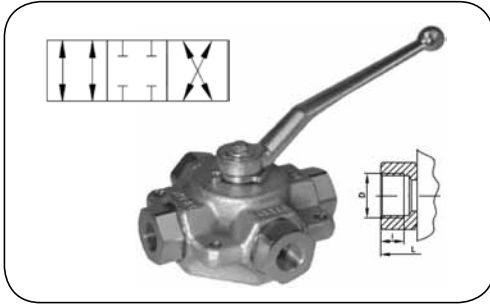
### Ball valve SK3L BSP/NPT

<b>Material:</b>	Body	- steel
	Ball	- steel
	Stem	- steel
<b>Seals:</b>	Ball	- POM
	Stem	- NBR
<b>Working temp.:</b>	POM	- (from -40°C up to +100°C)
	NBR	- (from -20°C up to +100°C)

3-way (L type) ball valve with BSP or NPT female thread, designed for high pressure hydraulic applications.

code	DN [mm]	thread size D [inch]	working pressure [bar]	length L [mm]	weight [kg]
HZ-SK3L-G-12	20	3/4 BSP	350	96	1.55
HZ-SK3L-G-16	25	1 BSP	350	113	2.10
HZ-SK3L-G-20	32	1.1/4 BSP	350	110	3.40
HZ-SK3L-G-24	40	1.1/2 BSP	350	120	4.20
HZ-SK3L-G-32	50	2 BSP	350	140	6.10
HZ-SK3L-N-20	32	1.1/4 NPT	350	115	3.40
HZ-SK3L-N-24	40	1.1/2 NPT	350	135	4.20
HZ-SK3L-N-32	50	2 NPT	350	140	6.20

## HIGH PRESSURE - valves

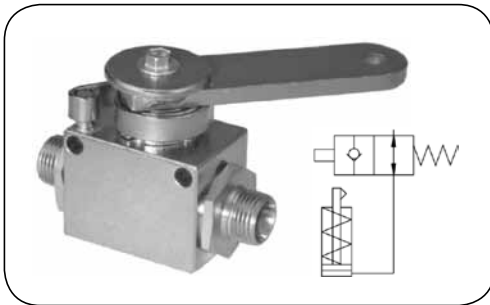


### Ball valve MKHX BSP

<b>Material:</b>	Body	- steel
	Ball	- steel
	Stem	- steel
<b>Seals:</b>	Ball	- POM
	Stem	- NBR
<b>Working temp.:</b>	POM	- (from -40°C up to +100°C)
	NBR	- (from -20°C up to +100°C)

4-way (X Type) ball valve with BSP female thread, designed for high pressure hydraulic applications.

code	DN [mm]	thread size D [inch]	thread length i [mm]	valve length L [mm]	working pressure [bar]	weight [kg]
HZ-MKHX-06-G-02	4	1/8	8	100	500	2.10
HZ-MKHX-06-G-04	6	1/4	12	100	500	2.10
HZ-MKHX-06-G-06	10	3/8	12	115	500	2.90
HZ-MKHX-06-G-08	13	1/2	14	135	400	4.50
HZ-MKHX-06-G-12	20	3/4	16	148	400	7.20
HZ-MKHX-06-G-16	25	1	18	172	350	9.70



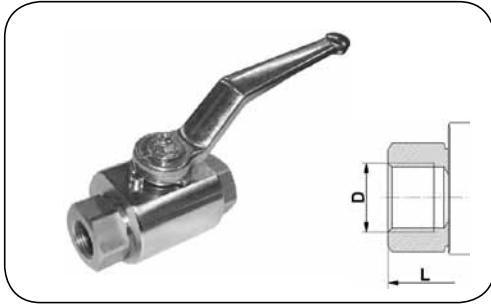
### Ball valve HBKH

<b>Material:</b>	Body	- steel
	Ball	- steel
	Stem	- steel
<b>Seals:</b>	Ball	- POM
	Stem	- NBR
<b>Working temp.:</b>	POM	- (from -40°C up to +100°C)
	NBR	- (from -20°C up to +100°C)

Special 2-way ball valve with male metric thread. Used in hydraulic systems as a stroke limitation on hydraulic actuators.

code	DN [mm]	thread size [mm]	distance between assembly holes [mm]	assembly holes diameter [mm]	working pressure [bar]
HZ-HBKH-12L-B	13	M18x1.5	37.5	6.5	350
HZ-HBKH-15L-B	13	M22x1.5	37.5	6.5	350

## HIGH PRESSURE - valves

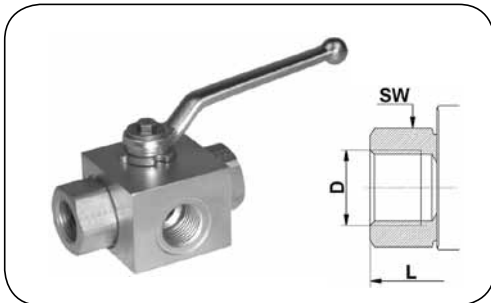


### Ball valve RKH

<b>Material:</b>	Body	- AISI 316Ti
	Ball	- AISI 316Ti
	Stem	- AISI 316Ti
<b>Seal:</b>	Kula	- POM or PTFE
	Stem	- FKM
<b>Working temp.:</b>	POM	(from -40°C up to +100°C)
	PTFE	(from -200°C up to +250°C)
	FKM	(from -20°C up to +200°C)

2-way ball valve with BSP female thread, intended for high pressure hydraulic and industrial installations (chemicals, petrochemical products, solvents and paints, marine installations, water, gases). In order to match the valve to the media other than hydraulic oil or higher working temperatures appropriately, please contact Technical or Sales Department of TUBES INTERNATIONAL®.

code (POM/FKM)	code (PTFE/FKM)	DN [mm]	thread size D [inch]	working press. [bar] (POM/FKM)	working press. [bar] (PTFE/FKM)	length L [mm]	weight [kg]
HZ-RKH-G-02	HZ-RKH-G-02-T-V	4	1/8	400	100	69	0.35
HZ-RKH-G-04	HZ-RKH-G-04-T-V	6	1/4	400	100	69	0.35
HZ-RKH-G-06	HZ-RKH-G-06-T-V	10	3/8	400	100	73	0.50
HZ-RKH-G-08	HZ-RKH-G-08-T-V	13	1/2	400	100	85	0.65
HZ-RKH-G-12	HZ-RKH-G-12-T-V	20	3/4	350	100	96	1.50
HZ-RKH-G-16	HZ-RKH-G-16-T-V	25	1	350	100	113	2.00
HZ-RKH-G-20	HZ-RKH-G-20-T-V	32	1.1/4	400	63	110	3.80
HZ-RKH-G-24	HZ-RKH-G-24-T-V	40	1.1/2	400	63	120	6.10
HZ-RKH-G-32	HZ-RKH-G-32-T-V	50	2	400	63	140	9.10



### Ball valve RK3L

<b>Material:</b>	Body	- AISI 316Ti
	Ball	- AISI 316Ti
	Stem	- AISI 316Ti
<b>Seal:</b>	Ball	- POM or PTFE
	Stem	- FKM
<b>Working temp.:</b>	POM	(from -40°C up to +100°C)
	PTFE	(from -200°C up to +250°C)
	FKM	(from -20°C up to +200°C)

3-way ball valve, type L, with BSP female thread, intended for high pressure hydraulic and industrial installations (chemicals, petrochemical products, solvents and paints, marine installations, water, gases). In order to match the valve to the media other than hydraulic oil or higher working temperatures appropriately, please contact Technical or Sales Department of TUBES INTERNATIONAL®.

code (POM/FKM)	code (PTFE/FKM)	DN [mm]	thread size D [inch]	working press. [bar] (POM/FKM)	working press. [bar] (PTFE/FKM)	length L [mm]	spanner [mm]
HZ-RK3L-G-02	HZ-RK3L-G-02-T-V	4	1/8	400	100	69	22
HZ-RK3L-G-04	HZ-RK3L-G-04-T-V	6	1/4	400	100	69	22
HZ-RK3L-G-06	HZ-RK3L-G-06-T-V	10	3/8	400	100	73	27
HZ-RK3L-G-08	HZ-RK3L-G-08-T-V	13	1/2	400	100	85	30
HZ-RK3L-G-12	HZ-RK3L-G-12-T-V	20	3/4	320	100	96	41
HZ-RK3L-G-16	HZ-RK3L-G-16-T-V	25	1	350	100	113	46
HZ-RK3L-G-20	HZ-RK3L-G-20-T-V	32	1.1/4	350	63	110	60
HZ-RK3L-G-24	HZ-RK3L-G-24-T-V	40	1.1/2	250	63	120	70
HZ-RK3L-G-32	HZ-RK3L-G-32-T-V	50	2	250	63	140	85