

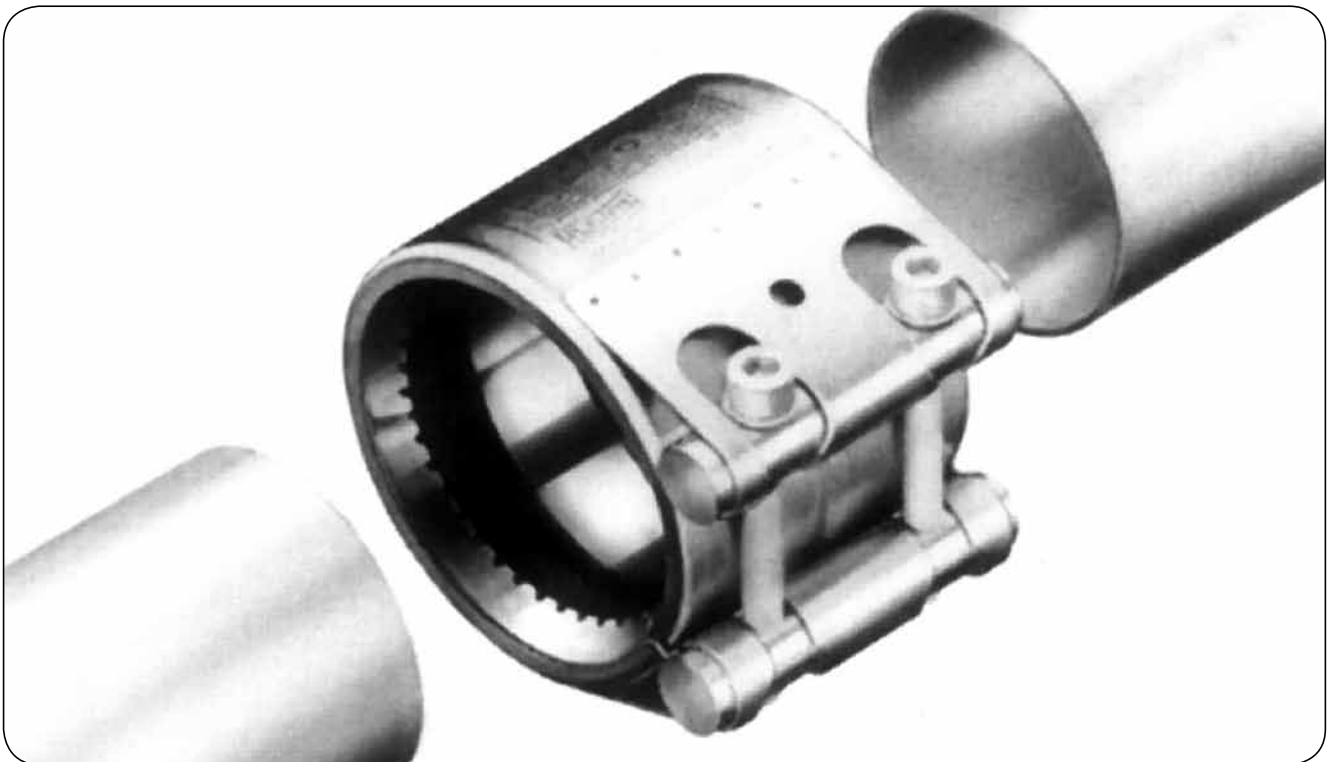
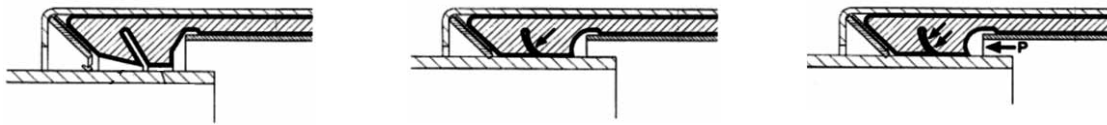
NORMACONNECT® pipe couplings

NORMACONNECT® pipe coupling is a reliable solution for connecting thick and thin walled pipes made of metal as well as other materials. Complies with the latest DIN 86128 standard. Widely used in:

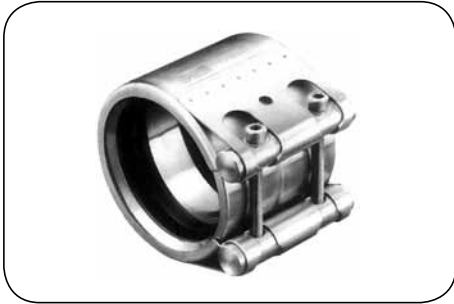
- gas installations, fluid and solids transfer,
- construction,
- mining and deep exploitation,
- shipbuilding,
- fresh water supply and waste water treatment.

NORMACONNECT® pipe coupling is an economical alternative to conventional pipe connecting techniques for both plastic and metal pipes. All plain pipes can be fast and easily joined. The coupling is supplied as a ready-to-fit set. It is pushed onto the pipes ends, aligned and rotated to any radial fitting position. For safe and successful fitting it is enough to tighten the two bolts alternately with a torque wrench. Coupling is also reliable and tight under the condition of angular or parallel deflection of pipe axes up to 35 mm. Abrupt pressure changes, vibration and structure-born noise appearing in a pipe are considerably dampened by the coupling. NORMACONNECT® pipe coupling is light, handy, compact and can be easily fitted in tight and inaccessible spaces.

The patented double-lip sealing ring applied in NORMACONNECT® pipe coupling ensures increased safety and maximum tightness at both low and high working pressure. Due to special design of sealing lips, the efficiency of sealing rises as internal pressure rises. It is achieved when the sealing lips of the ring are pressed even stronger onto the pipe surface under pressure.



INDUSTRIAL FITTINGS - clips, clamps, ferrules



NORMACONNECT® FLEX

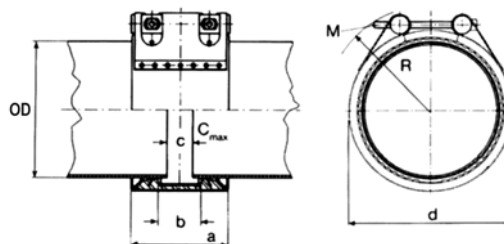
Material: Housing - AISI 304 steel
Bolts - AISI 316L steel
Pins - AISI 304 steel
Claw ring - AISI 301 steel
Band insert - AISI 316T steel i

Working temp.: From -20°C up to +80°C (NBR sealing)
From -30°C up to +125°C (EPDM sealing)

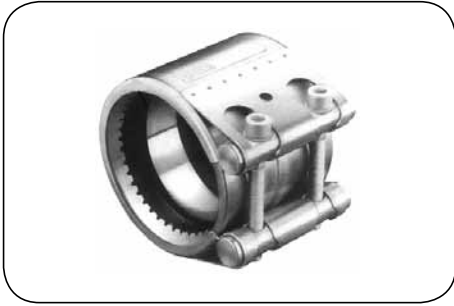
Couplings used to join metal and plastic pipes which are not under large mechanical load. The double-lip sealing ring guarantees that the connection is highly resistant to pressure and vacuum. The protection ring used in this version protects the sealing ring against UV light radiation, flame, etc.

code	pipe O.D. [mm]	clamp diam. range [mm]	nominal pressure [bar]	a [mm]	b [mm]	C max [mm]	d [mm]	R [mm]	bolt	weight [kg]
VA-FW4-026-N	26.9	26.4 ÷ 27.4	16	47	9.5	3	44	46	M8	0.40
VA-FW4-028-N	28.0	27.5 ÷ 28.5	16	47	9.5	3	45	45	M8	0.40
VA-FW4-030-N	30.0	28.6 ÷ 30.5	16	47	9.5	3	45	45	M8	0.40
VA-FW4-033-N	33.7	30.6 ÷ 34.2	16	47	9.5	3	51	45	M8	0.40
VA-FW4-035-N	35.0	34.5 ÷ 35.5	16	62.4	14.4	8	55	51	M8	0.50
VA-FW4-038-N	38.0	35.6 ÷ 38.5	16	62.4	14.4	8	57	45	M8	0.50
VA-FW4-042-N	42.4	39.0 ÷ 42.9	16	62.4	14.4	8	62	50	M8	0.50
VA-FW4-044-N	44.5	43.0 ÷ 45.0	16	62.4	14.4	8	63	50	M8	0.50
VA-FW4-048-N	48.3	45.5 ÷ 48.8	16	62.4	14.4	8	68	51	M8	0.60
VA-FW4-054-N	54.0	53.6 ÷ 54.9	16	77.4	29.4	17	73	57	M8	0.70
VA-FW4-057-N	57.0	55.0 ÷ 57.6	16	77.4	29.4	17	78	54	M8	0.70
VA-FW4-060-N	60.3	57.7 ÷ 60.9	16	77.4	29.4	17	79	56	M8	0.80
VA-FW4-076-N	76.1	74.0 ÷ 76.9	16	98	40.3	25	100	73	M8	1.40
VA-FW4-084-N	84.0	83.0 ÷ 85.0	16	98	40.3	25	108	78	M8	1.40
VA-FW4-088-N	88.9	85.1 ÷ 89.8	16	98	40.3	25	111	79	M8	1.40
VA-FW4-104-N	104.0	103.0 ÷ 106.0	16	98	40.3	25	126	91	M8	1.60
VA-FW4-108-N	108.0	106.9 ÷ 109.1	16	98	40.3	25	131	80	M8	1.80
VA-FW4-114-N	114.3	112.0 ÷ 115.4	16	98	40.3	25	137	85	M8	1.80
VA-FW4-129-N	129.0	128.0 ÷ 131.0	16	113	50	35	153	102	M10	2.40
VA-FW4-133-N	133.0	131.0 ÷ 134.3	16	113	50	35	160	106	M10	2.40
VA-FW4-139-N	139.7	137.0 ÷ 141.1	16	113	50	35	166	111	M10	2.60
VA-FW4-154-N	154.0	153.0 ÷ 156.0	16	113	50	35	180	131	M10	2.70
VA-FW4-159-N	159.0	157.0 ÷ 160.6	16	113	50	35	186	116	M10	2.70
VA-FW4-168-N	168.3	166.0 ÷ 170.0	16	113	50	35	194	121	M10	2.80

Code example of a coupling with EPDM sealing: VA-FW4-060-E.



INDUSTRIAL FITTINGS - clips, clamps, ferrules



NORMACONNECT® GRIP

Material: Housing - AISI 304 steel
Bolts - AISI 316L steel
Pins - AISI 304 steel
Anchoring ring - AISI 316Ti steel
Claw ring - AISI 301 steel
Band insert - AISI 316Ti steel

Working temp.: From -20°C up to +80°C (NBR sealing)
From -30°C up to +125°C (EPDM sealing)

Couplings used to join metal pipes operating under large mechanical load. The anchoring ring strongly grips the pipe surface with its conically stamped teeth. Due to special design of the anchoring ring, the coupling resists high vibration. The double-lip sealing ring guarantees that the connection is highly resistant to pressure and vacuum.

code	pipe O.D. [mm]	clamp diam. range [mm]	nominal pressure [bar]	a [mm]	b [mm]	C max [mm]	d [mm]	R [mm]	bolt	weight [kg]
VA-GW4-026-N	26.9	26.4 ÷ 27.4	16	47	9.5	3	44	44	M8	0.40
VA-GW4-028-N	28.0	27.5 ÷ 28.5	16	47	9.5	3	45	45	M8	0.40
VA-GW4-030-N	30.0	28.6 ÷ 30.5	16	47	9.5	3	45	45	M8	0.40
VA-GW4-033-N	33.7	30.6 ÷ 34.2	16	47	9.5	3	51	46	M8	0.40
VA-GW4-035-N	35.0	34.5 ÷ 35.5	16	62.4	14.4	8	55	51	M8	0.50
VA-GW4-038-N	38.0	35.6 ÷ 38.5	16	62.4	14.4	8	57	48	M8	0.50
VA-GW4-042-N	42.4	39.0 ÷ 42.9	16	62.4	14.4	8	62	50	M8	0.60
VA-GW4-044-N	44.5	43.0 ÷ 45.0	16	62.4	14.4	8	63	50	M8	0.60
VA-GW4-048-N	48.3	45.5 ÷ 48.8	16	62.4	14.4	8	68	53	M8	0.60
VA-GW4-054-N	54.0	53.6 ÷ 54.9	16	77.4	29.4	17	73	57	M8	0.80
VA-GW4-057-N	57.0	55.0 ÷ 57.6	16	77.4	29.4	17	78	55	M8	0.80
VA-GW4-060-N	60.3	57.7 ÷ 60.9	16	77.4	29.4	17	79	69	M8	0.80
VA-GW4-076-N	76.1	74.0 ÷ 76.9	16	98	40.3	25	100	75	M10	1.50
VA-GW4-084-N	84.0	83.0 ÷ 85.0	16	98	40.3	25	108	76	M10	1.60
VA-GW4-088-N	88.9	85.1 ÷ 89.8	16	98	40.3	25	111	80	M10	1.70
VA-GW4-104-N	104.0	103.0 ÷ 106.0	16	98	40.3	25	126	77	M10	1.80
VA-GW4-108-N	108.0	106.9 ÷ 109.1	16	98	40.3	25	131	86	M10	1.80
VA-GW4-114-N	114.3	112.0 ÷ 115.4	16	98	40.3	25	137	88	M10	1.80
VA-GW4-129-N	129.0	128.0 ÷ 131.0	16	115	50	35	153	101	M12	3.10
VA-GW4-133-N	133.0	131.0 ÷ 134.3	16	115	50	35	160	106	M12	3.30
VA-GW4-139-N	139.7	137.0 ÷ 141.1	16	115	50	35	166	109	M12	3.30
VA-GW4-154-N	154.0	153.0 ÷ 156.0	16	115	50	35	180	110	M12	3.40
VA-GW4-159-N	159.0	157.0 ÷ 160.6	16	115	50	35	186	118	M12	3.50
VA-GW4-168-N	168.3	166.0 ÷ 170.0	16	115	50	35	194	115	M12	3.60

Code example of a coupling with EPDM sealing: VA-GW4-060-E.

