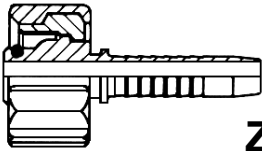
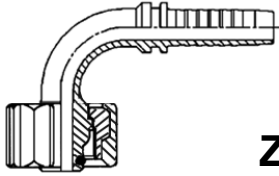


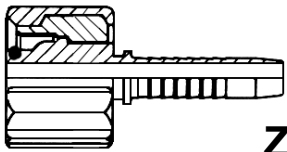
CLEANING AND WASHING - high pressure

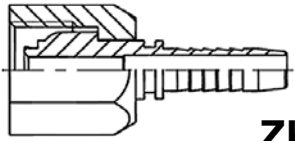
Fittings for high pressure cleaning hoses

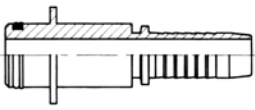
Fitting for cleaning equipment			
			
ZKW110			
code (carbon steel)	code (stainle-SS steel)	thread size [mm]	hose I.D. [inch]
TI-ZKW110-22-04	TI-ZKW110-22-04-SS	M22x1.5	1/4
TI-ZKW110-22-05	TI-ZKW110-22-05-SS	M22x1.5	5/16
TI-ZKW110-22-06	TI-ZKW110-22-06-SS	M22x1.5	3/8
-	TI-ZKW110-22-08-SS	M22x1.5	1/2

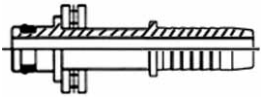
Fitting for cleaning equipment		
		
ZKW210		
code (carbon steel)	thread size [mm]	hose I.D. [inch]
TI-ZKW210-22-05	M22x1.5	5/16
TI-ZKW211-22-05*	M22x1.5	5/16

* - fitting with long nut.

Fitting for cleaning equipment (long nut)			
			
ZKW111			
code (carbon steel)	code (stainle-SS steel)	thread size [mm]	hose I.D. [inch]
TI-ZKW111-22-04	TI-ZKW111-22-04-SS	M22x1.5	1/4
TI-ZKW111-22-05	TI-ZKW111-22-05-SS	M22x1.5	5/16
TI-ZKW111-22-06	TI-ZKW111-22-06-SS	M22x1.5	3/8


Fitting for cleaning equipment (brass nut)		
		
ZKW150		
code (carbon steel)	thread size [mm]	hose I.D. [inch]
TI-ZKW150-22-04	M22x1.5	1/4
TI-ZKW150-22-05	M22x1.5	5/16
TI-ZKW150-22-06	M22x1.5	3/8


Fitting for cleaning equipment (for spray gun)		
		
ZKR110		
code	pipe diameter [mm]	hose I.D. [inch]
TI-ZKR110-10-04	10	1/4
TI-ZKR110-10-05	10	5/16
TI-ZKR110-10-06	10	3/8

Bearing fitting for cleaning equipment (for spray gun)			
			
ZKR180			
code (carbon steel)	code (stainle-SS steel)	pipe diameter [mm]	hose I.D. [inch]
-	TI-ZKR180-10-04-SS	10	1/4
-	TI-ZKR180-10-05-SS	10	5/16
TI-ZKR180-11-04	TI-ZKR180-11-04-SS	11	1/4
TI-ZKR180-11-05	TI-ZKR180-11-05-SS	11	5/16




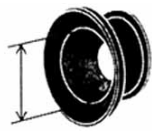
CLEANING AND WASHING - high pressure

Fittings for high pressure cleaning hoses

Fitting for cleaning equipment			
			
ZKW160			
code (carbon steel)	code (stainless steel)	thread size [mm]	hose I.D. [inch]
TI-ZKW160-22-04	TI-ZKW160-22-04SS	M22x1.5	1/4
TI-ZKW160-22-05	TI-ZKW160-22-05SS	M22x1.5	5/16
TI-ZKW160-22-06	TI-ZKW160-22-06SS	M22x1.5	3/8

Nut for cleaning equipment			
			
ZKW160			
code (carbon steel)	code (stainless steel)	thread size [mm]	color
TI-ZKW161-22	TI-ZKW161-22SS	M22x1.5	black
TI-ZKW162-22	TI-ZKW162-22SS	M22x1.5	yellow
TI-ZKW163-22	TI-ZKW163-22SS	M22x1.5	blue
TI-ZKW164-22	TI-ZKW164-22SS	M22x1.5	red

Protectors of hose fittings for cleaning equipment

<div style="display: flex; justify-content: space-around; align-items: center;"> <div style="text-align: center;"> GK  </div> <div style="text-align: center;"> KK  </div> <div style="text-align: center;"> SK  </div> <div style="text-align: center;"> EK  </div> </div>					
type	colour	DN 6 (D1/D2) code	DN 8 (D1/D2) code	DN 10 (D1/D2) code	DN 12 (D1/D2) code
GK	blue	-	17/17 EM-GKB-08	19.5/19.5 EM-GKB-10	23/22.5 EM-GKB-12
	gray	14.6/14.6 EM-GKG-06	17/17 EM-GKG-08	19.5/19.5 EM-GKG-10	23/22.5 EM-GKG-12
	orange	14.6/14.6 EM-GKO-06	17/17 EM-GKO-08	19.5/19.5 EM-GKO-10	23/22.5 EM-GKO-12
	red	14.6/14.6 EM-GKR-06	17/17 EM-GKR-08	19.5/19.5 EM-GKR-10	23/22.5 EM-GKR-12
	black	-	17/17 EM-GKS-08	19.5/19.5 EM-GKS-10	23/22.5 EM-GKS-12
	yellow	14.6/14.6 EM-GKY-06	17/17 EM-GKY-08	19.5/19.5 EM-GKY-10	23/22.5 EM-GKY-12
KK	black	14.5/15 EM-KKS-06	-	-	-
SK	-	14/13 EM-SK-06	-	-	-
EK	-	17 EM-EKS-68	17 EM-EKS-68	-	-