

MACHINES AND ACCESSORIES - protection and sealing

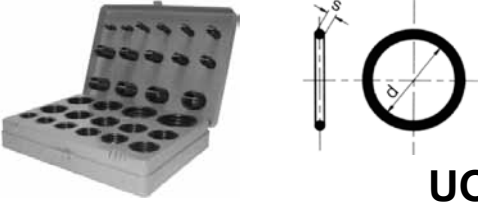
Seals

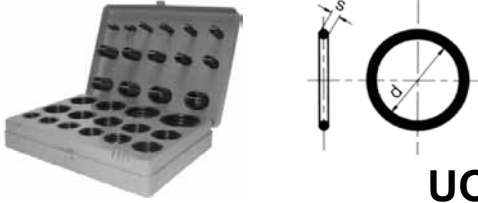
Seals designed for threaded connections. Made of NBR rubber as a standard. Seals made of much materials as Viton, EPDM, PTFE, copper are also available. There is also a special, metal-rubber type of seals intended for high pressure connections. It is made of zinc-plated steel + NBR or stainless steel + Viton. A set of o-rings in the most popular sizes is a perfect choice for maintenance or service operations. The special, profiled seals according to DIN 3869 for high pressure connectors according to DIN 3852-11 type E are also available.

O-rings for special application

General purpose o-rings available in a size range from 3.3 up to 220 mm internal diameter. Code example of an o-ring, size 13.3 mm - internal diameter „d” and 2.4 mm - thickness „s”, made of NBR material, 70 Shore hardness: TI-UO-013.3/2.4-N70. The o-rings in other sizes and of other materials are available on request.

O-ring sets

O-rings set - imperial (NBR70)			
			
UOB			
code	dimensions [mm]		number [pc]
	d	s	
TI-UOB-KIT	2.90	1.78	20
	3.68	1.78	20
	4.47	1.78	20
	5.28	1.78	20
	6.07	1.78	20
	7.65	1.78	20
	9.19	2.62	13
	9.25	1.78	20
	10.77	2.62	13
	12.37	2.62	13
	13.94	2.62	13
	15.54	2.62	13
	17.12	2.62	13
	18.64	3.53	10
	18.72	2.62	13
	20.22	3.53	10
	21.82	3.53	10
	23.39	3.53	10
	24.99	3.53	10
	26.57	3.53	10
	28.17	3.53	10
	29.74	3.53	10
	31.34	3.53	10
	32.92	3.53	10
	34.52	3.53	10
	36.09	3.53	10
	37.47	5.33	7
	37.69	3.53	10
40.64	5.33	7	
43.82	5.33	7	


O-rings set - metric (NBR70)			
			
UOM			
code	dimensions [mm]		number [pc]
	d	s	
TI-UOM-KIT	3	2	16
	4	2	16
	5	2	16
	6	2	16
	7	2	16
	8	2	16
	10	2	16
	10	2.5	13
	11	2.5	13
	12	2.5	13
	14	2.5	13
	16	2.5	13
	17	2.5	13
	19	2.5	13
	19	3	11
	20	3	12
	22	3	12
	24	3	12
	25	3	12
	27	3	12
	28	3	12
	30	3	12
	32	3	12
	33	3	12
	35	3	12
	36	3	12
	38	3	12
	38	4	9
41	4	9	
44	4	9	

MACHINES AND ACCESSORIES - protection and sealing

Seals

Metal-rubber seals

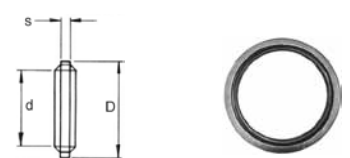
DOWTY seal - imperial (galv. steel, NBR70)



UDB

code	size [inch]	dimensions [mm]			burst. press. [bar]
		d	D	s	
TI-UDB-02	1/8	10.37	15.88	2	1500
TI-UDB-04	1/4	13.74	20.57	2	1550
TI-UDB-06	3/8	17.28	23.80	2	1260
TI-UDB-08	1/2	21.54	28.58	2.5	1150
TI-UDB-10	5/8	23.49	31.75	2.5	1250
TI-UDB-12	3/4	27.05	34.93	2.5	1060
TI-UDB-16	1	33.89	42.80	3.2	810
TI-UDB-20	1.1/4	42.93	52.38	3.2	690
TI-UDB-24	1.1/2	48.44	58.60	3.2	690
TI-UDB-32	2	60.58	73.03	3.2	700


DOWTY seal - metric (galv. steel, NBR70)



UDM

code	size [mm]	dimensions [mm]			burst. press. [bar]
		d	D	s	
TI-UDM-08	8	8.7	13	1	1330
TI-UDM-10	10	10.7	16	1.5	1350
TI-UDM-12	12	12.7	18	1.5	1250
TI-UDM-14	14	14.7	22	1.5	1510
TI-UDM-16	16	16.7	24	1.5	1400
TI-UDM-18	18	18.7	26	1.5	1275
TI-UDM-20	20	20.7	28	1.5	1150
TI-UDM-22	22	22.7	30	2	1100
TI-UDM-24	24	24.7	32	2	1050
TI-UDM-26	26	26.7	35	2	1050
TI-UDM-30	30	31.0	39	2	860
TI-UDM-33	33	33.7	42	2	900
TI-UDM-36	36	36.7	46	2	880
TI-UDM-42	42	42.7	53	3	940


DOWTY seal - imperial (AISI 316L, Viton 75)



UDB-SS

code	size [inch]	dimensions [mm]			burst. press. [bar]
		d	D	s	
TI-UDB-02-SS	1/8	10.37	15.88	2	1480
TI-UDB-04-SS	1/4	13.74	20.57	2	1540
TI-UDB-06-SS	3/8	17.28	23.80	2	1230
TI-UDB-08-SS	1/2	21.54	28.58	2	1120
TI-UDB-10-SS	5/8	23.49	31.75	2.5	1240
TI-UDB-12-SS	3/4	27.05	34.93	2	1050
TI-UDB-16-SS	1	33.89	42.80	2.5	780
TI-UDB-20-SS	1.1/4	42.93	52.38	2.5	690
TI-UDB-24-SS	1.1/2	48.44	58.60	2.5	690
TI-UDB-32-SS	2	60.58	73.03	2.5	720

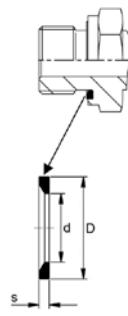
DOWTY seal - metric (AISI 316L, Viton 75)



UDM-SS

code	size [mm]	dimensions [mm]			burst. press. [bar]
		d	D	s	
TI-UDM-12-SS	12	12.7	18	1.5	1680
TI-UDM-14-SS	14	14.7	22	1.5	1510
TI-UDM-16-SS	16	16.7	24	1.5	1370
TI-UDM-18-SS	18	18.7	26	1.5	1260
TI-UDM-22-SS	22	22.7	30	2	1080

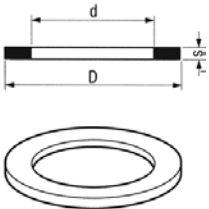
Profiled seals according to DIN 3869

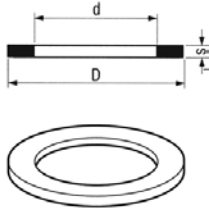
code (NBR85)	code (Viton80)	metric thread	inch thread	dimensions [mm]			DIN 3852-11E
				d	D	s	
TI-UE-08	TI-UE-08-V	8x1	-	6.5	9.9	1	
TI-UE-10	TI-UE-10-V	10x1	1/8 BSP	8.4	11.9	1	
TI-UE-12	TI-UE-12-V	12x1.5	-	9.8	14.4	1.5	
TI-UE-14	TI-UE-14-V	14x1.5	1/4 BSP	11.6	16.5	1.5	
TI-UE-16	TI-UE-16-V	16x1.5	-	13.8	18.9	1.5	
TI-UE-17	TI-UE-17-V	-	3/8 BSP	14.7	18.9	1.5	
TI-UE-18	TI-UE-18-V	18x1.5	-	15.7	20.9	1.5	
TI-UE-20	TI-UE-20-V	20x1.5	-	17.8	22.9	1.5	
TI-UE-21	TI-UE-21-V	-	1/2 BSP	18.5	23.9	1.5	
TI-UE-22	TI-UE-22-V	22x1.5	-	19.6	24.3	1.5	
TI-UE-26	TI-UE-26-V	26x1.5 / 27x2	3/4 BSP	23.9	29.2	1.5	
TI-UE-33	TI-UE-33-V	33x2	1 BSP	29.7	35.7	2	
TI-UE-42	TI-UE-42-V	42x2	1.1/4 BSP	38.8	45.8	2	
TI-UE-48	TI-UE-48-V	48x2	1.1/2 BSP	44.7	50.7	2	

MACHINES AND ACCESSORIES - protection and sealing

Seals

Flat seals

Copper seal					
					
UM					
code	size		dimensions [mm]		
	[mm]	[inch]	d	D	s
TI-UM-06-10	6		6	10	1.5
TI-UM-08-12	8		8	12	1.5
TI-UM-08-14	8		8	14	1.5
TI-UM-10-14	10	1/8	10	14	1.5
TI-UM-10-16	10	1/8	10	16	1.5
TI-UM-12-15	12		12	15	1.5
TI-UM-12-18	12		12	18	1.5
TI-UM-13-19	13	1/4	13	19	1.5
TI-UM-14-20	14		14	20	1.5
TI-UM-16-22	16		16	22	1.5
TI-UM-17-21	17	3/8	17	21	1.5
TI-UM-18-24	18		18	24	1.5
TI-UM-20-26	20		20	26	1.5
TI-UM-21-26	21	1/2	21	26	1.5
TI-UM-22-27	22		22	27	1.5
TI-UM-24-30	24	5/8	24	30	1.5
TI-UM-26-33	26		26	33	1.5
TI-UM-27-33	27	3/4	27	33	1.5
TI-UM-30-36	30		30	36	1.5
TI-UM-33-40	33	1	33	40	1.5
TI-UM-42-49	42	1.1/4	42	49	1.5
TI-UM-48-59	48	1.1/2	48	59	1.5

PTFE seal				
				
UBW140				
code	size [inch]	dimensions [mm]		
		d	D	s
TI-UBW140-04-T	1/4	6	11.3	2
TI-UBW140-06-T	3/8	7	15	2
TI-UBW140-08-T	1/2	10	19	2
TI-UBW140-12-T	3/4	12	24	2
TI-UBW140-16-T	1	20	30	2
TI-UBW140-20-T	1.1/4	28	38	2
TI-UBW140-24-T	1.1/2	34	44.5	2
TI-UBW140-32-T	2	42.5	56.2	3
TI-UBW140-40-T	2.1/2	55.5	72	3

Tool set for O-ring

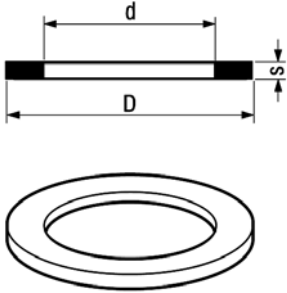


EC-100740

MACHINES AND ACCESSORIES - protection and sealing

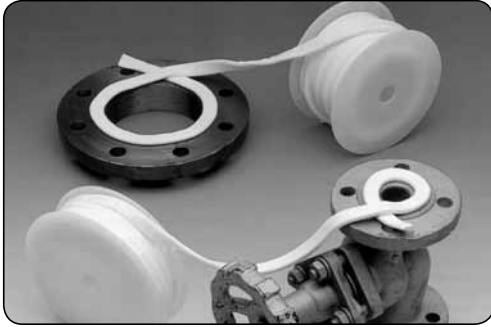
Seals

Flat seals are intended to seal on the flat face of threaded connections.

picture	code	thread size	dimensions [mm]			material	weight [g]
			D	d	s		
	RS-010050000101	1/2"	20	13	2	novapress	1
	RS-010050000102					polyurethane	1
	RS-010050000104					Viton	1
	RS-010050000106					PTFE	1
	RS-010075000101	3/4"	26	19	2	novapress	1
	RS-010075000102					polyurethane	1
	RS-010075000104					Viton	1
	RS-010075000106					PTFE	1
	RS-010100000101	1"	33	24	2	novapress	2
	RS-010100000102					polyurethane	1
	RS-010100000104					Viton	2
	RS-010100000106					PTFE	2
	RS-010125000101	1.1/4"	42	33	2	novapress	2
	RS-010125000102					polyurethane	2
	RS-010125000104					Viton	2
	RS-010125000106					PTFE	3
	RS-010150000101	1.1/2"	48	39	2	novapress	3
	RS-010150000102					polyurethane	2
	RS-010150000104					Viton	3
	RS-010150000106					PTFE	3
	RS-010200000101	2"	60	49	2	novapress	4
	RS-010200000102					polyurethane	3
	RS-010200000104					Viton	4
	RS-010200000106					PTFE	4
	RS-010200000109					EPDM	4
	RS-010250000102	2.1/2"	78	63	2.5	polyurethane	5
	RS-010250000104					Viton	6
	RS-010250000106					PTFE	7
	RS-010300000102	3"	88	77	3	polyurethane	6
	RS-010300000104					Viton	8
	RS-010300000106					PTFE	6
	RS-010300000109					EPDM	6
	RS-010400000102					4"	114
	RS-010400000104	Viton	14				
	RS-010400000106	PTFE	9				
	RS-010400000109	EPDM	9				
RS-010550000502	5.1/2" DIN 11	140	102	3	polyurethane	26	
RS-010550000504					Viton	41	
RS-010550000506					PTFE	30	

MACHINES AND ACCESSORIES - protection and sealing

Sealants



code	width x thickness [mm]	compression 100 kg/mm ² [mm]	description
UG-FLANGIFLON-03X1.5	3 x 1.5	3.5 x 0.5	FLANGIFLON PTFE expanded tape designed to seal flat surfaces (e.g. flange connections). Pressure: to 250 bar (depends on the temperature). Working temp.: from -240°C up to +260°C. Medium: pH 0÷14.
UG-FLANGIFLON-05X2	5 x 2	6 x 0.7	
UG-FLANGIFLON-07X2.5	7 x 2.5	8 x 1.1	
UG-FLANGIFLON-10X3	10 x 3	11.5 x 1.3	
UG-FLANGIFLON-12X4	12 x 4	13.2 x 1.4	
UG-FLANGIFLON-14X5	14 x 5	15 x 1.5	
UG-FLANGIFLON-17X6	17 x 6	19.5 x 2	
UG-FLANGIFLON-20X7	20 x 7	23 x 2.6	



code	width x thickness [mm]	standard length [m]	description
UG-TAPE-12	12 x 0.076	12	PTFE tape designed to seal thread connections. Working temp.: from -200°C up to +260°C.



code	single coil efficiency (number of fittings)	description
LT-55	1/2" - 385 3/4" - 260 1" - 180	PTFE coated string sealant for pipe connection sealing. For direct application from the container with built-in cutting blade ensuring fast and clean assembly.



code	volume [ml]	description
LT-542-50	50	Anaerobic sealant for threaded connections up to 2" exposed to vibration in particular. Certified for use with natural gases. Not recommended for use with oxygen. Break loose torque: 15 ÷ 35 Nm. Working temp.: from -55°C up to +150°C.



code	volume [ml]	description
LT-577-50	50	Anaerobic sealant for threaded elements up to 3". Certified for use with natural gases. Not recommended for use with oxygen. Break loose torque: 9 ÷ 25 Nm. Working temp.: -55°C up to +150°C.

MACHINES AND ACCESSORIES - protection and sealing

Sealants



code	volume [ml]	description
WE-AN30-542-P-020	20	Anaerobic sealant for threaded elements. Used in hydraulic and pneumatic systems. Medium viscosity and durability. Disassembly possible, maximum clearance of 0.15 mm. Working temp.: from -60°C up to +150°C. P - type pen container.
WE-AN30-542-P-050	50	



code	volume [ml]	description
WE-AN30-577-T-050	50	Anaerobic sealant for threaded elements. Used in hydraulic and pneumatic systems. High viscosity, medium durability. Disassembly possible, maximum clearance of 0.50 mm, meets the requirements of BAM certificate - can be used in installations exposed to oxygen (max. working temperature +60°C, max. working pressure of oxygen 10 bar). Working temp.: from -60°C up to +150°C. T - type tube container.



code	volume [ml]	description
WE-AN30-280-P-020	20	Anaerobic sealant for threaded elements used in passive materials without activating agent. Increased viscosity, high durability. Disassembly very difficult, maximum clearance of 0.20 mm. Working temp.: from -60°C up to +180°C. P - type pen container.
WE-AN30-280-P-050	50	



code	volume [ml]	description
WE-DF-17-175	175	Sealing thread made entirely of PTFE. Permanent and safe sealing for most threaded metal and plastic pipe connections. Non-flammable, superior chemical and temperature resistance from -200°C up to +240°C.

MACHINES AND ACCESSORIES - protection and sealing

Threadlockers



code	volume [ml]	description
WE-AN30-260-P-020	20	Thread-locking fluid - for use in passive materials without activating agent, medium viscosity, high durability - difficult disassembly. Working temp.: from -60°C up to +180°C. P - type pen container
WE-AN30-260-P-050	50	

Cyanoacrylic glues



code	package capacity	description
WE-VA100-P-003	3 g	Medium viscosity, fast hardening, general purpose glue for plastics, rubber and metals in different combinations of the three. P - type pen container, T - tube.
WE-VA100-T-012	12 g	
WE-VA-AS	150 ml	Activating agent for porous surfaces as well as for hardening acceleration of WE-VA glues.

Metal sprays



code	volume [ml]	description
WE-ZSN-400	400	Zinc anticorrosive coating, 70% of zinc in dry coating (99% pure), thermal resistance up to +500°C.
WE-A-100	400	Aluminium pigments of >99.5% purity, thermal resistance up to +800°C, abrasion resistant.
WE-A-400	400	Aluminium pigments of >99.5% purity, thermal resistance up to +800°C, abrasion resistant, high gloss.

Cleaning sprays



code	volume [ml]	description
WE-W44T-400	400	High quality maintenance and preservation spray used in industry and workshop applications. W44T loosens seized screw connections, dispels moisture, eliminates squeaking and creaking, cleans dirty metal surfaces, protects and cares for all tools and machines.
WE-CLEANER-S-0500	500	Degreaser for surface preparation. Cleans and degreases metals, glass, ceramics, wood. Removes old solid grease. Evaporates quickly leaving no spots on the surface.