

INDUSTRIAL FITTINGS - clips, clamps, ferrules

Safety clamps EN 14420-3 (DIN 2817), EN 14423 (DIN 2826)

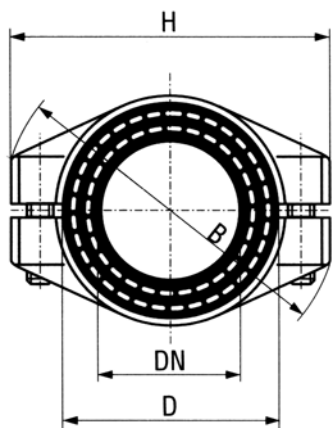
Material: SS (AISI 316), Ms (brass), Al (aluminium)
Working press.: 25 bar (EN 14420-3), up to 100 bar (EN 14423)

Safety clamp designed to assemble a hose on a fitting with a safety collar.

DN - hose inside diameter x hose wall thickness.

RS-636..., RS-637... (EN 14423) clamps designed for standard fittings (smooth).

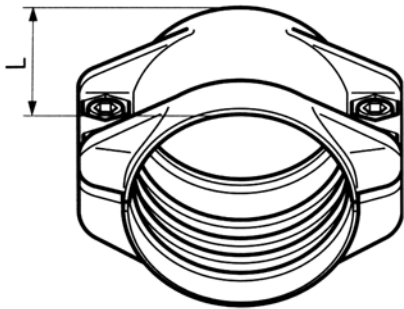
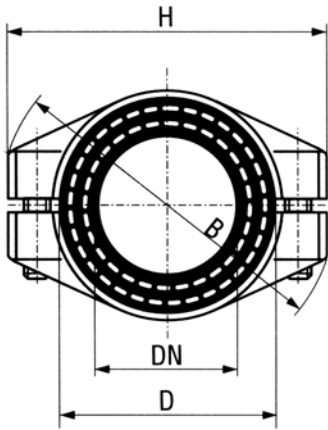
RS-635... (EN 14420-3) clamps designed for high pressure and steam fittings (with serrated tail).

	code	DN [mm]	D min-max [mm]	material	dimensions [mm]			bolts	weight [kg]	
					H	B	L			
	RS-636013005020	13 x 5	22+24	SS	56	59	50	4 x M6x20	0.25	
	RS-636013005030			Ms					0.27	
	RS-636013005040			Al					0.11	
	RS-635013005030	Ms	54	57	65	0.37				
	RS-635013006020	SS				0.32				
	RS-635013006030	Ms				0.34				
	RS-635013007030	Ms	13 x 7	26+28	Ms	0.31				
	RS-636019006020	SS	19 x 6	30+33	SS	65	68	50	4 x M6x20	0.31
	RS-636019006030	Ms			0.31					
	RS-636019006040	Al			0.13					
	RS-635019006030	Ms	19 x 7	32+34	SS	70	73	65	4 x M8x25	0.54
	RS-635019007020	SS			0.50					
	RS-635019007030	Ms			0.56					
	RS-636025006020	SS	25 x 6	36+39	SS	73	75	50	4 x M6x20	0.33
	RS-636025006030	Ms			0.33					
	RS-636025006040	Al			0.14					
	RS-635025007030	Ms	25 x 6.5	37+39	Ms	76	79	65	4 x M8x25	0.55
	RS-635025008020	SS	25 x 7.5	39+41	SS	80	83			0.63
	RS-635025008030	Ms			0.68					
	RS-636025008030	Ms	25 x 8	40+43	Ms	76	79	50	4 x M6x20	0.38
RS-636025008040	Al	0.14								
RS-635025009030	Ms	25 x 8.5	41+43	Ms	80	83	65	4 x M8x25	0.65	
RS-636032006020	SS	32 x 6	43+46	SS	75	77	50	4 x M6x20	0.35	
RS-636032006030	Ms			0.41						
RS-636032006040	Al			0.15						
RS-635032006030	Ms	32 x 8	47+50	Ms	86	89	77	4 x M8x25	0.87	
RS-636032008030	Ms			0.41						
RS-636032008040	Al			0.15						
RS-635032008020	SS	32 x 8	47+50	SS	88	90	77	4 x M8x25	0.72	
RS-635032008030	Ms			0.78						
RS-636032010030	Ms	32 x 10	50+53	Ms	84	86	50	4 x M6x20	0.49	
RS-636032010040	Al			0.17						
RS-635032010030	Ms			0.83						
RS-636035006040	Al	35 x 6	47+50	Al	83	85	50	4 x M6x20	0.15	
RS-636038007020	SS	38 x 6.5	50+52	SS	83	85	50	4 x M6x20	0.38	
RS-636038007030	Ms			0.43						
RS-636038007040	Al			0.16						
RS-636038008030	Ms	38 x 8	53+56	Ms	85	87	90	4 x M10x40	0.50	
RS-636038008040	Al			0.18						
RS-635038008020	SS			1.30						
RS-635038008030	Ms	1.40								
RS-636038010030	Ms	38 x 10	57+60	Ms	90	92	50	4 x M6x20	0.50	
RS-636038010040	Al			0.18						
RS-635038010030	Ms			1.55						
RS-636040007030	Ms	40 x 7	53+56	Ms	85	87	50	4 x M6x20	0.50	
RS-636040007040	Al			0.18						
RS-636040010030	Ms			0.52						
RS-636040010040	Al	40 x 10	58+61	Al	92	94	50	4 x M6x20	0.19	
RS-636045007040	Al	45 x 7	58+61	Al	98	101	57	4 x M8x25	0.30	

INDUSTRIAL FITTINGS - clips, clamps, ferrules

Safety clamps EN 14420-3 (DIN 2817), EN 14423 (DIN 2826)

code	DN [mm]	D min-max [mm]	material	dimensions [mm]			bolts	weight [kg]
				H	B	L		
RS-636050008020	50 x 8	64+67	SS	103	106	57	4 x M8x25	0.65
RS-636050008030			MS					0.71
RS-636050008040			Al					0.27
RS-635050009020	50 x 9	67+69	SS	113	117	100	4 x M10x40	1.65
RS-635050009030			Ms					1.70
RS-636050010030	50 x 10	69+71	Ms	107	110	57	4 x M8x25	0.81
RS-636050010040			Al					0.31
RS-635050010030			Ms					1.75
RS-635050012030	50 x 12	73+76	Ms	128	132	100	4 x M10x40	2.40
RS-636065007020	65 x 7	78+82	SS	118	121	75	4 x M8x25	1.05
RS-636065007030			Ms					1.20
RS-636065007040			Al					0.40
RS-636065010030	65 x 10	84+87	Ms	124	126	102	4 x M10x40	1.30
RS-636065010040			Al					0.45
RS-635065010030	65 x 12	88+91	Ms	141	143	102	4 x M10x40	2.90
RS-635065012030			Ms					2.40
RS-636075008020	75 x 8	89+93	SS	131	133	77	4 x M8x25	1.15
RS-636075008030			Ms					1.25
RS-636075008040			Al					0.49
RS-636075010030	75 x 10	94+97	Ms	138	140	115	4 x M10x40	1.40
RS-636075010040			Al					0.53
RS-635075010030	75 x 12	98+101	Ms	148	150	77	4 x M8x25	3.30
RS-636075012030			Al					1.85
RS-636075012040	75 x 14	102+105	Ms	141	142	115	4 x M10x40	0.52
RS-635075012030			Ms					2.85
RS-635075014030	75 x 14	102+105	Ms	155	157	115	4 x M10x40	3.90
RS-636080008030	80 x 8	94+97	Ms	138	140	77	4 x M8x25	1.40
RS-636080008040			Al					0.47
RS-636080010030			Ms					0.80
RS-636080010040	80 x 10	99+102	Al	141	142	77	4 x M8x25	0.51
RS-637100008020	100 x 8	114+119	SS	164	167	120	4 x M10x40	3.00
RS-637100008030			Ms					3.40
RS-637100008040			Al					1.19
RS-637100010030	100 x 10	118+122	Ms	185	187	120	4 x M10x40	5.60
RS-637100010040			Al					1.15
RS-637100012030	100 x 12	122+126	Ms	185	187	120	4 x M10x40	5.00
RS-637100012040			Al					1.40
RS-637100014030	100 x 14	126+130	Ms	185	187	120	4 x M10x40	4.80
RS-637100014040			Al					1.35
RS-637100016030	100 x 16	130+134	Ms	185	187	120	4 x M10x40	3.75
RS-637100016040			Al					1.40
RS-637125010030	125 x 10	143+148	Ms	211	214	145	6 x M12x50	8.20
RS-637125010040			Al	190	192		6 x M10x50	1.40
RS-637125013030	125 x 13	149+154	Ms	211	214	145	6 x M12x50	7.25
RS-637125013040			Al					2.65
RS-637125015030	125 x 15	153+158	Ms	218	224	145	6 x M12x50	8.10
RS-637125015040			Al					2.85
RS-637150010040	150 x 10	168+174	Al	231	235	182	6 x M12x50	3.75
RS-637150013040	150 x 13	174+180	Al	233	237			3.30
RS-637150015040	150 x 15	178+184	Al	244	248			3.70
RS-637200012040	200 x 12	222+229	Al	288	291	243	8 x M12x60	6.50
RS-637200016040	200 x 16	230+239	Al	294	298			6.75

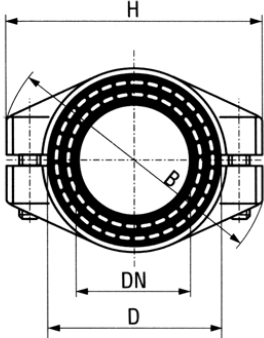


INDUSTRIAL FITTINGS - clips, clamps, ferrules

Safety clamps EN 14420-3 (DIN 2817)

Material: Aluminium
Working press.: 25 bar (EN 14420-3)

Safety clamp in economic version designed to assemble a hose on a fitting with a safety collar.
 DN - hose inside diameter x hose wall thickness.

	code	DN [mm]	D min+max [mm]	material	dimensions [mm]		
					H	B	L
	TI-SC-013-050-AL	13 x 5	22 ÷ 24	Al	50	51	59
	TI-SC-019-060-AL	19 x 6	30 ÷ 33	Al	50	63	68
	TI-SC-025-060-AL	25 x 6	36 ÷ 39	Al	50	69	75
	TI-SC-025-080-AL	25 x 8	40 ÷ 43	Al	50	76	79
	TI-SC-032-060-AL	32 x 6	43 ÷ 46	Al	50	76	77
	TI-SC-032-080-AL	32 x 8	47 ÷ 50	Al	50	76	85
	TI-SC-038-065-AL	38 x 6.5	50 ÷ 53	Al	50	83	85
	TI-SC-038-080-AL	38 x 8	53 ÷ 56	Al	50	85	87
	TI-SC-038-100-AL	38 x 10	57 ÷ 60	Al	50	85	92
	TI-SC-040-070-AL	40 x 7	53 ÷ 56	Al	50	85	87
	TI-SC-045-070-AL	45 x 7	58 ÷ 61	Al	57	98	101
	TI-SC-050-060-AL	50 x 6	61 ÷ 65	Al	56	98	103
	TI-SC-050-080-AL	50 x 8	63 ÷ 67	Al	56	102	106
	TI-SC-050-100-AL	50 x 10	69 ÷ 71	Al	56	106	110
	TI-SC-063-080-AL	63 x 8	78 ÷ 82	Al	74	120	121
	TI-SC-063-100-AL	63 x 10	82 ÷ 85	Al	74	124	126
	TI-SC-075-080-AL	75 x 8	89 ÷ 94	Al	76	132	133
	TI-SC-075-100-AL	75 x 10	94 ÷ 97	Al	76	136	140
	TI-SC-075-120-AL	75 x 12	99 ÷ 102	Al	77	148	142
	TI-SC-080-080-AL	80 x 8	94 ÷ 97	Al	76	137	140
	TI-SC-100-080-AL	100 x 8	114 ÷ 119	Al	120	166	167
	TI-SC-100-100-AL	100 x 10	118 ÷ 122	Al	120	170	169
	TI-SC-100-120-AL	100 x 12	122 ÷ 126	Al	120	174	176
	TI-SC-100-140-AL	100 x 14	126 ÷ 130	Al	120	185	182
	TI-SC-100-160-AL	100 x 16	130 ÷ 134	Al	120	185	187
	TI-SC-125-100-AL	125 x 10	143 ÷ 148	Al	147	192	192
	TI-SC-150-100-AL	150 x 10	167 ÷ 173	Al	180	227	235
	TI-SC-150-130-AL	150 x 13	174 ÷ 180	Al	182	233	237
	TI-SC-200-120-AL	200 x 12	222 ÷ 229	Al	240	284	291

